

***ENGLISH***

**LH-3500A Series  
INSTRUCTION MANUAL**

# CONTENTS

<b>1. SPECIFICATIONS.....</b>	<b>1</b>
<b>2. NAME OF EACH COMPONENT .....</b>	<b>3</b>
<b>3. INSTALLATION.....</b>	<b>4</b>
3-1. Caution at the time of set-up .....	4
3-2. Installation of the sewing machine .....	5
3-3. Adjusting the height of the knee lifter .....	6
3-4. Installation of thread stand.....	6
<b>4. PREPARATION OF THE SEWING MACHINE .....</b>	<b>7</b>
4-1. Method of lubrication .....	7
4-2. Lubrication to the oil tank.....	8
4-3. Draining of oil from the oil tank .....	9
4-4. Adjusting the amount of oil in the hook.....	9
4-5. Oil in the feed box .....	10
4-6. Applying grease.....	11
4-7. Setting up the SC-920 .....	14
4-8. Installing the belt cover (For LH-3528A, 3568A, 3578A and 3588A) .....	18
4-9. Attaching the needles .....	18
4-10. How to take out the bobbin case .....	19
4-11. Inserting a bobbin in a bobbin case .....	19
4-12. Threading the machine head.....	20
4-13. Thread tension.....	23
4-14. Winding the bobbin thread .....	24
4-15. Thread take-up spring.....	25
4-16. Adjusting the stitch length .....	27
4-17. Needle-to-hook relation .....	27
4-18. Pedal pressure and pedal stroke .....	29
4-19. Adjustment of the pedal.....	29
<b>5. OPERATION OF THE SEWING MACHINE .....</b>	<b>30</b>
5-1. Pedal Operation .....	30
5-2. Hand lifter.....	30
5-3. Adjusting the pressure of the presser foot.....	31
5-4. Micro-lifter.....	31
5-5. Thread tension release changeover when using the knee lifter .....	32
5-6. One-touch manual reverse feed (One-touch reverse feed type).....	32
<b>6. MAINTENANCE .....</b>	<b>33</b>
6-1. Procedure of changing over between bottom feed and needle feed and the adjustment (for LH-3528A only) .....	33
6-2. Changing the feed timing .....	35
6-3. Adjusting the thread trimming cam.....	36
6-4. Adjusting the hook needle guard.....	37
6-5. Adjusting the inner hook guide.....	37
6-6. Adjusting the height and the inclination of the feed dog .....	38
6-7. Replacing the gauge .....	39
6-8. Adjusting the thread presser spring.....	39
6-9. Adjusting the position of the moving knife.....	40
6-10. Position of the wiper .....	41
6-11. Caution when installing the attachments.....	41
6-12. Replacing the bobbin thread slack preventer spring (For LH-3568A, 3568A-7, 3588A and 3588A-7) .....	42
6-13. Stop of the needle bars and angle of corners for corners stitching (For LH-3568A, 3568A-7, 3588A and 3588A-7).....	42
<b>7. STITCH-TO-ANGLE TABLE BY GAUGE (PITCH AND mm CONVERSION TABLE)</b>	<b>43</b>
<b>8. GAUGE SETS .....</b>	<b>44</b>
<b>9. TROUBLES AND CORRECTIVE MEASURES .....</b>	<b>53</b>
<b>10. MOTOR PULLEY AND BELT .....</b>	<b>55</b>

# 1. SPECIFICATIONS

Model name	LH-3528A	LH-3528A-7 (with automatic thread trimmer)
Application	For light -, medium - and heavy - weight materials	
	S type : standard, F type : foundation, A type : light-weight materials, G type : jeans	
Hook	Standard hook	Standard hook
Thread trimmer	Not provided	Provided
Separately driven needle bar mechanism	Not provided	Not provided
Max. sewing speed	3,000 sti/min	
Needle * 1	GROZ-BECKERT 134 Nm9 to Nm16 (For S, F and A types), 134 Nm16 to Nm23 (G type) ORGAN needle DP x 5 #9 to #16 (For S, F and A types), DP x 5 #16 to #23 (G type)	
Gauge size	3/32" to 1-1/2"	1/8" to 1-1/4"
	2.4 to 38.1 mm	3.2 to 31.8 mm
Lift of presser foot	13 mm by knee lifter, 7 mm by hand lifter lever	
Lubrication	JUKI NEW DEFRIX OIL No. 1 or JUKI MACHINE OIL #7	
Noise	Declaration - Equivalent continuous emission sound pressure level ( $L_{pA}$ ) at the workstation : A-weighted value of 87.5 dB ; (Includes $K_{pA} = 2.5$ dB) ; according to ISO 10821-C.6.2 -ISO 11204 GR2 at 3,000 sti/min. - Sound power level ( $L_{WA}$ ) : A-weighted value of 91.5 dB ; (Includes $K_{pA} = 2.5$ dB) ; according to ISO 10821-C.6.2 -ISO 3744 GR2 at 3,000 sti/min.	Declaration - Equivalent continuous emission sound pressure level ( $L_{pA}$ ) at the workstation : A-weighted value of 85.5 dB ; (Includes $K_{pA} = 2.5$ dB) ; according to ISO 10821-C.6.2 -ISO 11204 GR2 at 3,000 sti/min. - Sound power level ( $L_{WA}$ ) : A-weighted value of 90.5 dB ; (Includes $K_{pA} = 2.5$ dB) ; according to ISO 10821-C.6.2 -ISO 3744 GR2 at 3,000 sti/min.

Model name	LH-3568A (with incorporating corner stitching)	LH-3568A-7 (with automatic thread trimmer incorporating corner stitching)
Application	For light -, medium - and heavy - weight materials	
	S type : standard, G type : jeans	
Hook	Standard hook	Standard hook
Thread trimmer	Not provided	Provided
Separately driven needle bar mechanism	Provided	Provided
Max. sewing speed	3,000 sti/min	
Needle * 1	GROZ-BECKERT 134 Nm9 to Nm16 (S type), 134 Nm16 to Nm23 (G type) ORGAN needle DP x 5 #9 to #16 (S type), DP x 5 #16 to #23 (G type)	
Gauge size	1/8" to 3/4"	
	3.2 to 19.1 mm	
Lift of presser foot	13 mm by knee lifter, 7 mm by hand lifter lever	
Lubrication	JUKI NEW DEFRIX OIL No. 1 or JUKI MACHINE OIL #7	
Noise	Declaration - Equivalent continuous emission sound pressure level ( $L_{pA}$ ) at the workstation : A-weighted value of 83.5 dB ; (Includes $K_{pA} = 2.5$ dBA) ; according to ISO 10821-C.6.2 -ISO 11204 GR2 at 3,000 sti/min. - Sound power level ( $L_{WA}$ ) : A-weighted value of 87.5 dB ; (Includes $K_{pA} = 2.5$ dBA) ; according to ISO 10821-C.6.2 -ISO 3744 GR2 at 3,000 sti/min.	Declaration - Equivalent continuous emission sound pressure level ( $L_{pA}$ ) at the workstation : A-weighted value of 84 dBA ; (Includes $K_{pA} = 2.5$ dB) ; according to ISO 10821-C.6.2 -ISO 11204 GR2 at 3,000 sti/min. - Sound power level ( $L_{WA}$ ) : A-weighted value of 88.5 dBA ; (Includes $K_{pA} = 2.5$ dB) ; according to ISO 10821-C.6.2 -ISO 3744 GR2 at 3,000 sti/min.

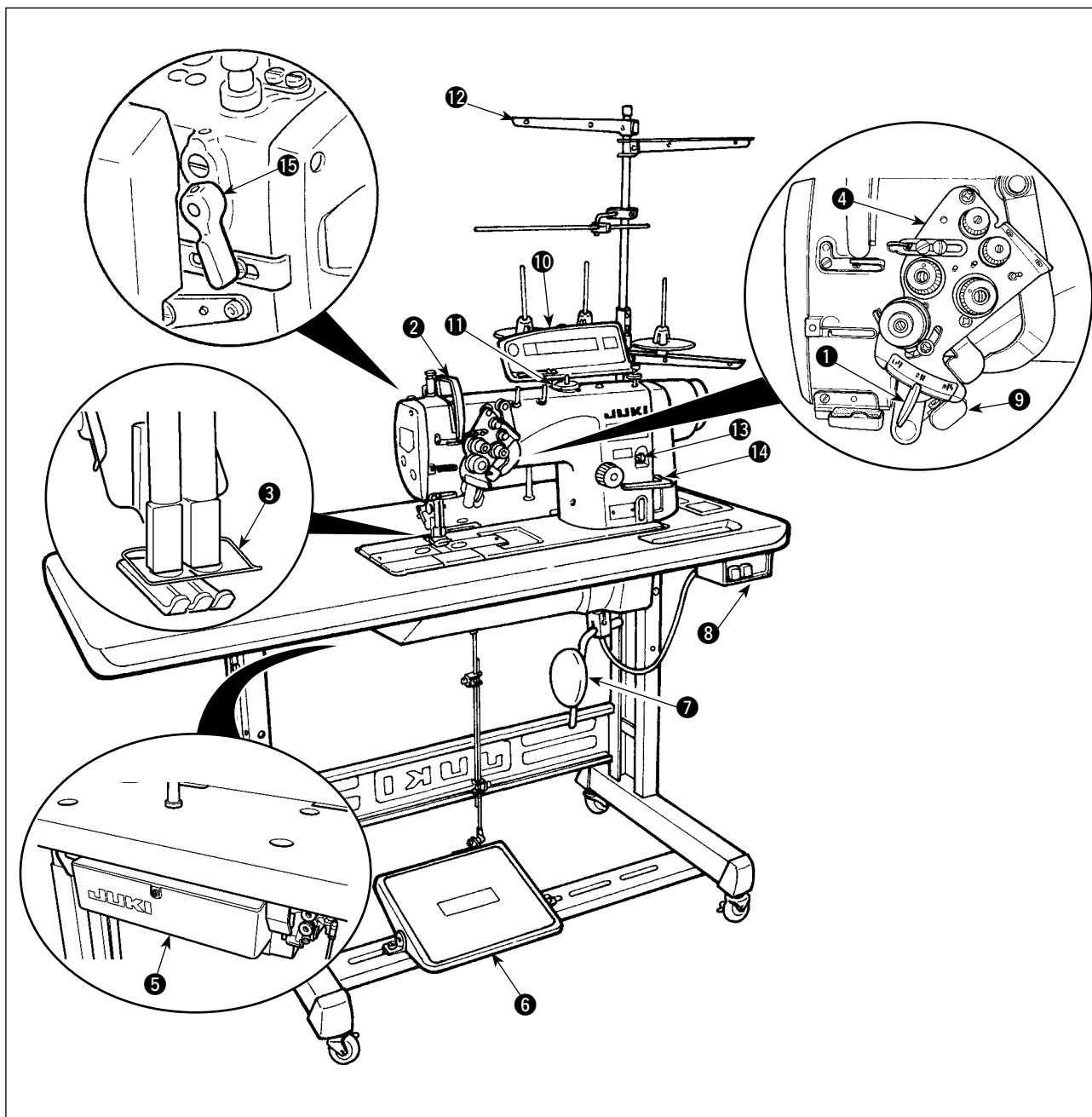
\* 1 : Needle used depends on the destination.

Model name	LH-3578A	LH-3578A-7 (with automatic thread trimmer)
Application	For medium - and heavy - weight materials G type : jeans	
Hook	Large hook	Large hook
Thread trimmer	Not provided	Provided
Separately driven needle bar mechanism	Not provided	Not provided
Max. sewing speed	3,000 sti/min	
Needle * 1	GROZ-BECKERT 134 Nm16 to Nm23 (G type) ORGAN needle DP x 5 #16 to #23 (G type)	
Gauge size	3/16" to 1-1/12" 4.8 to 38.1 mm	3/16" to 3/8" 4.8 to 9.5 mm
Lift of presser foot	13 mm by knee lifter, 7 mm by hand lifter lever	
Lubrication	JUKI NEW DEFRIX OIL No. 1 or JUKI MACHINE OIL #7	
Noise	<p>Declaration</p> <ul style="list-style-type: none"> <li>- Equivalent continuous emission sound pressure level (<math>L_{pA}</math>) at the workstation : A-weighted value of 87.5 dB ; (Includes <math>K_{pA} = 2.5</math> dB) ; according to ISO 10821-C.6.2 -ISO 11204 GR2 at 3,000 sti/min.</li> <li>- Sound power level (<math>L_{WA}</math>) : A-weighted value of 91.5 dB ; (Includes <math>K_{pA} = 2.5</math> dB) ; according to ISO 10821-C.6.2 -ISO 3744 GR2 at 3,000 sti/min.</li> </ul>	<p>Declaration</p> <ul style="list-style-type: none"> <li>- Equivalent continuous emission sound pressure level (<math>L_{pA}</math>) at the workstation : A-weighted value of 85.5 dB ; (Includes <math>K_{pA} = 2.5</math> dB) ; according to ISO 10821-C.6.2 -ISO 11204 GR2 at 3,000 sti/min.</li> <li>- Sound power level (<math>L_{WA}</math>) : A-weighted value of 90.5 dB ; (Includes <math>K_{pA} = 2.5</math> dB) ; according to ISO 10821-C.6.2 -ISO 3744 GR2 at 3,000 sti/min.</li> </ul>

Model name	LH-3588A (with incorporating corner stitching)	LH-3588A-7 (with automatic thread trimmer incorporating corner stitching)
Application	For medium - and heavy - weight materials G type : jeans	
Hook	Large hook	Large hook
Thread trimmer	Not provided	Provided
Separately driven needle bar mechanism	Provided	Provided
Max. sewing speed	3,000 sti/min	
Needle * 1	GROZ-BECKERT 134 Nm16 to Nm23 (G type) ORGAN needle DP x 5 #16 to #23 (G type)	
Gauge size	3/16" to 3/8" 4.8 to 9.5 mm	
Lift of presser foot	13 mm by knee lifter, 7 mm by hand lifter lever	
Lubrication	JUKI NEW DEFRIX OIL No. 1 or JUKI MACHINE OIL #7	
Noise	<p>Declaration</p> <ul style="list-style-type: none"> <li>- Equivalent continuous emission sound pressure level (<math>L_{pA}</math>) at the workstation : A-weighted value of 83.5 dB ; (Includes <math>K_{pA} = 2.5</math> dBA) ; according to ISO 10821-C.6.2 -ISO 11204 GR2 at 3,000 sti/min.</li> <li>- Sound power level (<math>L_{WA}</math>) : A-weighted value of 87.5 dB ; (Includes <math>K_{pA} = 2.5</math> dBA) ; according to ISO 10821-C.6.2 -ISO 3744 GR2 at 3,000 sti/min.</li> </ul>	<p>Declaration</p> <ul style="list-style-type: none"> <li>- Equivalent continuous emission sound pressure level (<math>L_{pA}</math>) at the workstation : A-weighted value of 84 dBA ; (Includes <math>K_{pA} = 2.5</math> dB) ; according to ISO 10821-C.6.2 -ISO 11204 GR2 at 3,000 sti/min.</li> <li>- Sound power level (<math>L_{WA}</math>) : A-weighted value of 88.5 dBA ; (Includes <math>K_{pA} = 2.5</math> dB) ; according to ISO 10821-C.6.2 -ISO 3744 GR2 at 3,000 sti/min.</li> </ul>

\* 1 : Needle used depends on the destination.

## 2. NAME OF EACH COMPONENT



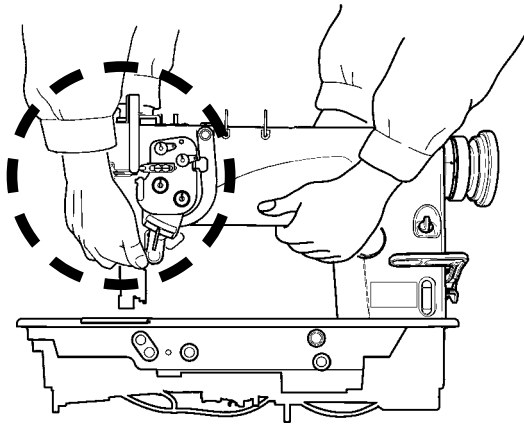
- |  |   |
|--|---|
| ① Separately driven needle changeover lever<br>(LH-3568A, 3568A-7, 3588A, 3588A-7) | ⑧ Power switch  |
| ② Thread take-up cover   | ⑨ Reverse feed switch<br>(LH-3528A-7, 3568A-7, 3528A (F type), 3578A-7,<br>3588A-7) |
| ③ Finger guard   | ⑩ Operation panel   |
| ④ Thread tension controller  | ⑪ Bobbin winder   |
| ⑤ Control box  | ⑫ Thread stand  |
| ⑥ Pedal  | ⑬ Oil supply opening  |
| ⑦ Knee pad   | ⑭ Reverse feed control lever  |
|  | ⑮ Hand lifter lever   |

### 3. INSTALLATION

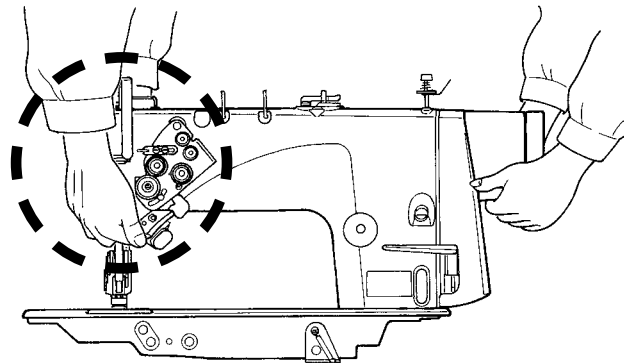
#### 3-1. Caution at the time of set-up

##### (1) Transporting procedure of the sewing machine

[LH-3528A, 3568A, 3578A, 3588A]



[LH-3528A-7, 3568A-7, 3578A-7, 3588A-7]

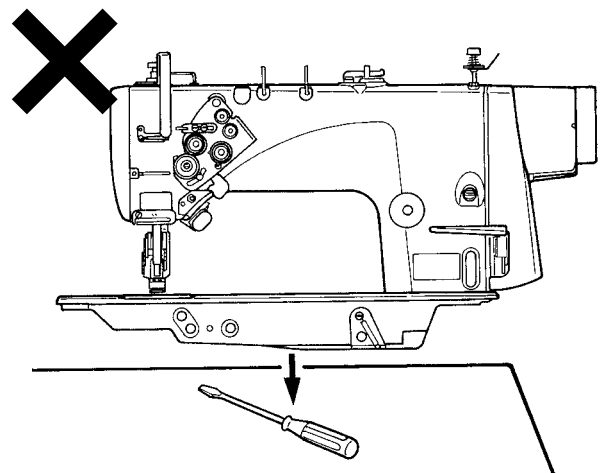
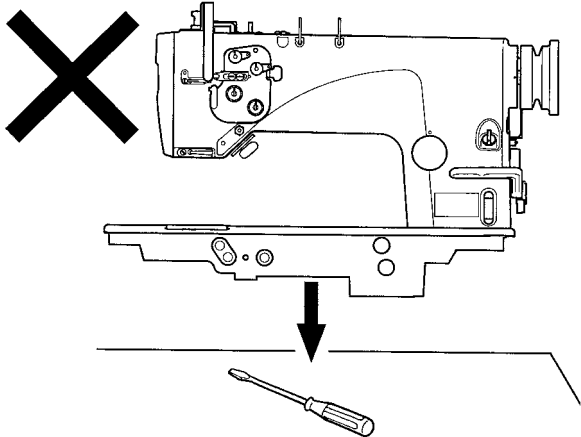


Hold and transport the sewing machine with two persons as shown in the illustration.



When carrying the sewing machine, take extreme care not to hold the thread tension controllers by hand. (If you hold the thread tension controllers by hand, they can break.)

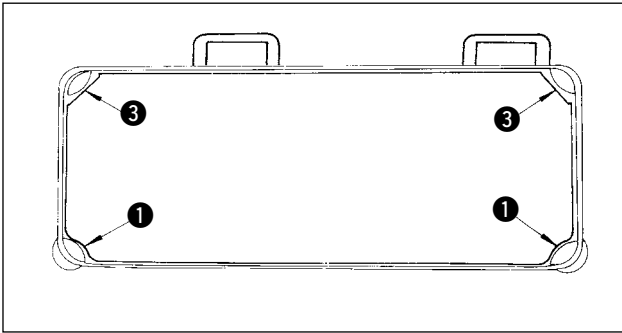
##### (2) Caution when placing the sewing machine



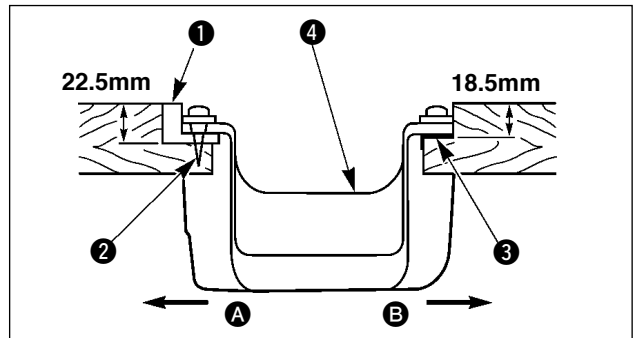
Do not put protruding articles such as the screwdriver and the like at the location where the sewing machine is placed.

## 3-2. Installation of the sewing machine

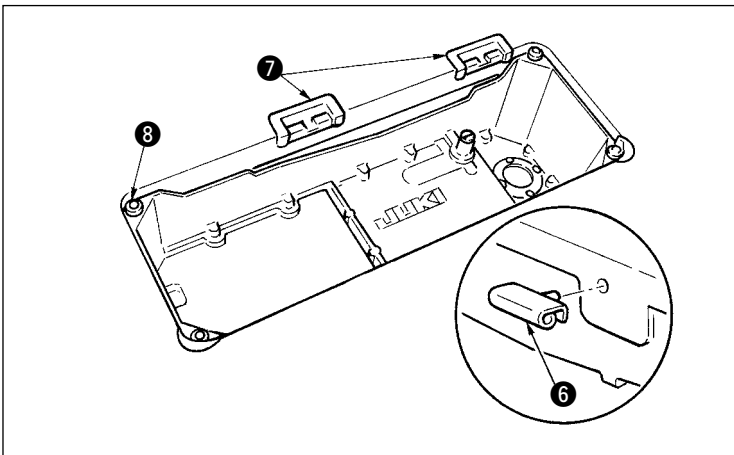
### (1) Installing the under cover



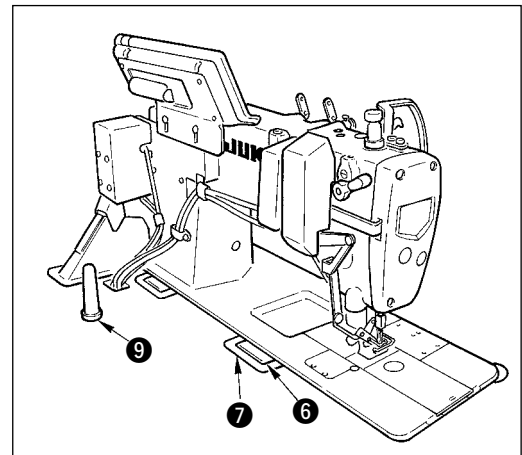
1) The under cover should rest on the four corners of the machine table groove.



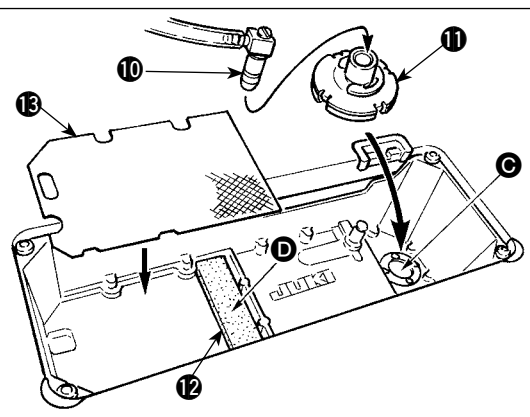
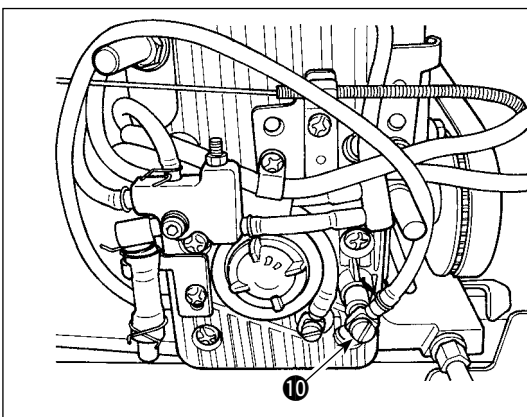
2) Fix two rubber seats **1** on side **A** (operator's side) using nails **2** as illustrated above. Fix two cushion seats **3** on side **B** (hinged side) using a rubber-based adhesive. Then place under cover **4** on the fixed seats.



3) Mount rubber hinge seats **7** on the table and fix the table with nails.  
Insert hinge **6** into the machine main body. Engage the hinges with rubber hinge seats **7** mounted on the table. Then, put the machine head down on the machine head cushions **8** which are located at the four corners of the table.



4) Attach head support rod **9** to the table.



5) Detach inlet port **10** for circulation which is fixed on the feed box cover. Insert the inlet port into filter **11** until it will go no further without fail and place them in opening **C**.  
Place urethan filter **12** on **D**, and place filter **13** of thin plate type (small mesh plate) on it.



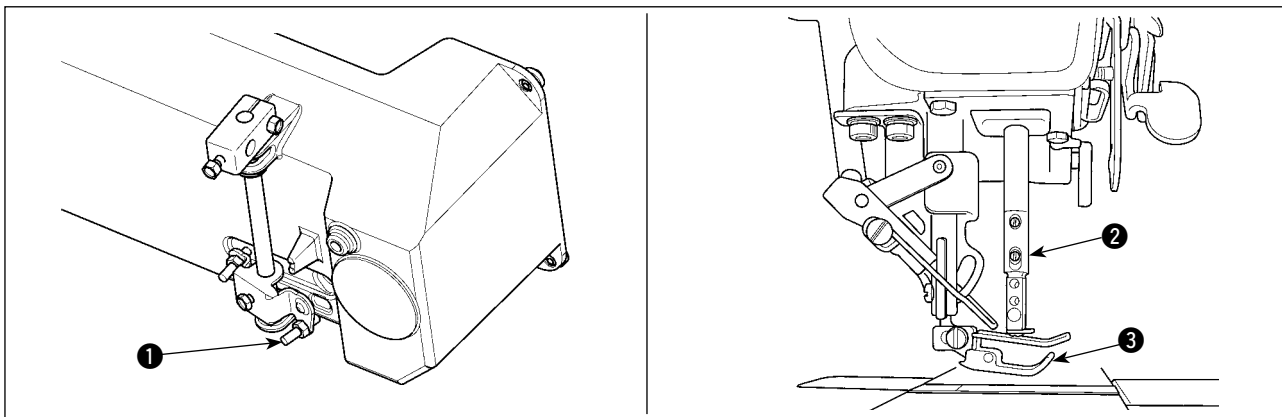
**Caution** Circulation trouble may occur unless inlet port **10** for circulation is securely inserted into filter **11** until it goes no further.

### 3-3. Adjusting the height of the knee lifter



#### WARNING :

To protect against possible personal injury due to abrupt start of the machine, be sure to start the following work after turning the power off and ascertaining that the motor is at rest.

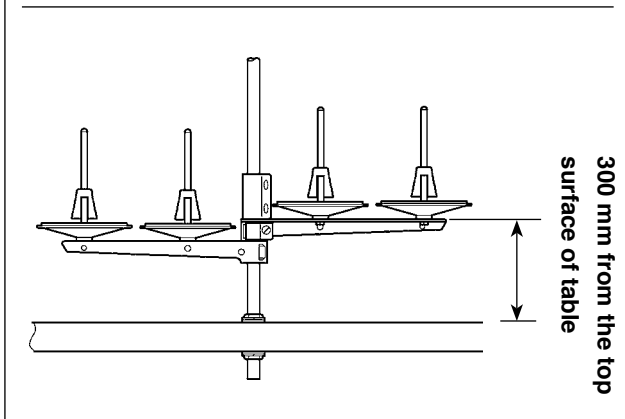
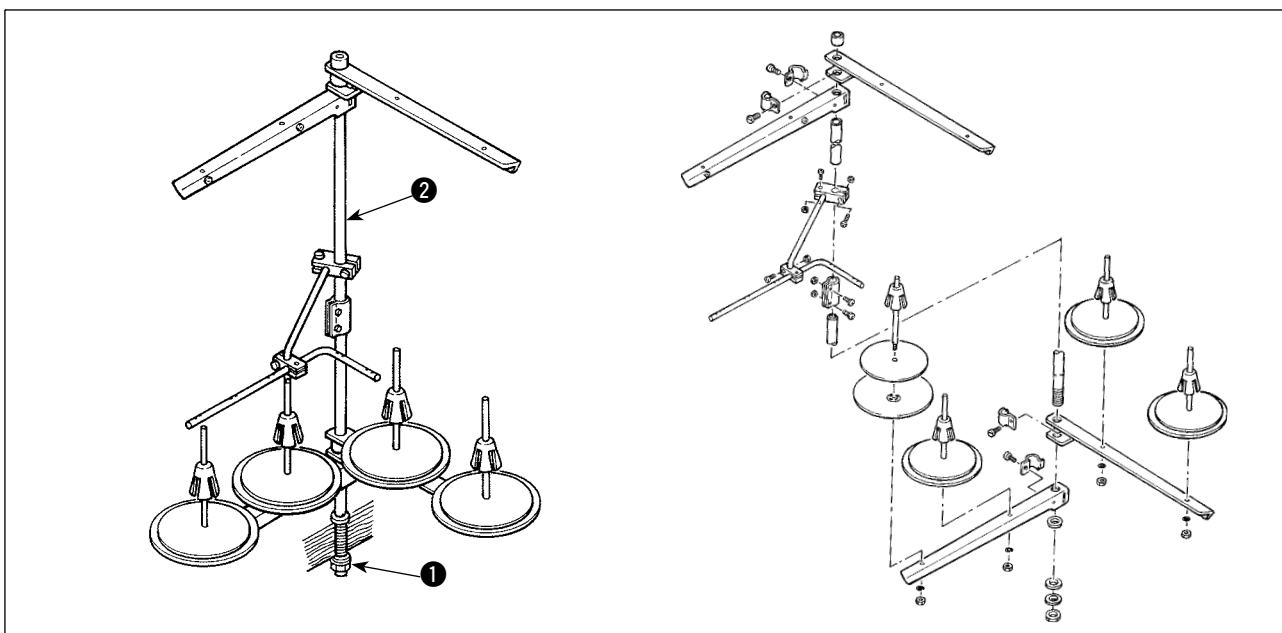


- 1) The standard height of the presser foot lifted using the knee lifter is 12 mm.
- 2) You can adjust the presser foot lift up to 13 mm using knee lifter adjust screw **1**.



Do not operate the sewing machine in the state that the presser foot **3** is lifted by 12 mm or more since the needle bar **2** comes in contact with the presser foot **3**.

### 3-4. Installation of thread stand



Assemble the thread stand, set it up on the machine table using the installation hole in the table and tighten nut **1** gently.

When you use power supplied by the overhead power line, pass the power supply cord through hollow spool rest rod **2**.

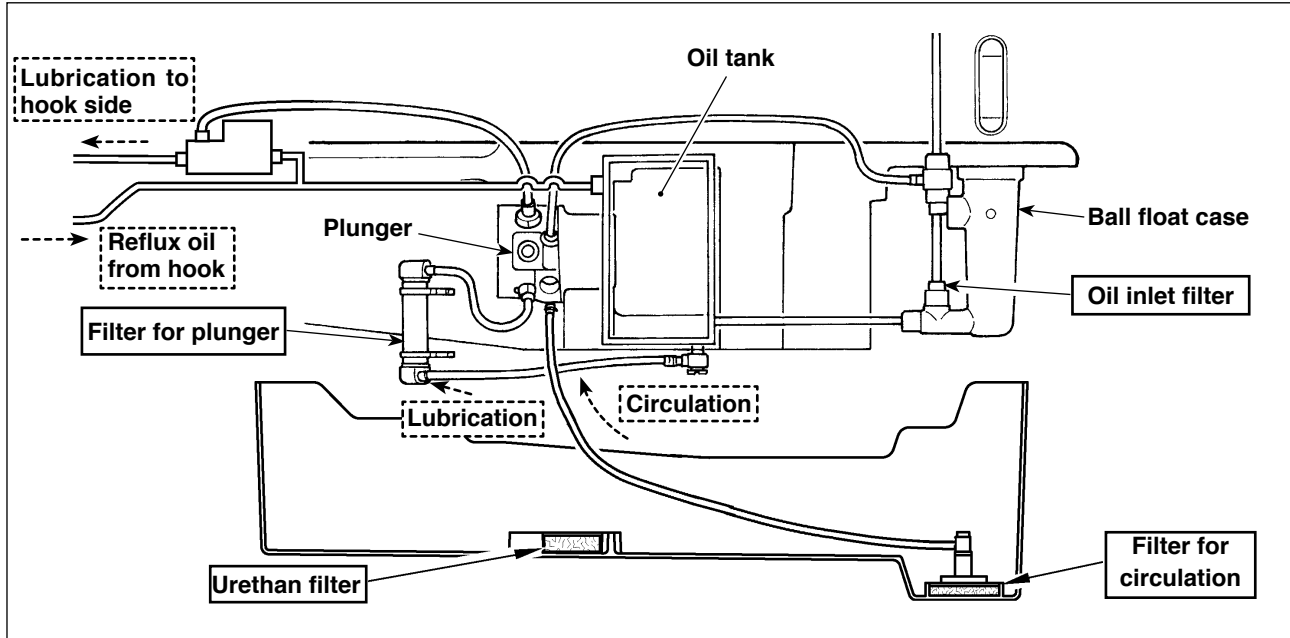


## 4. PREPARATION OF THE SEWING MACHINE

### 4-1. Method of lubrication

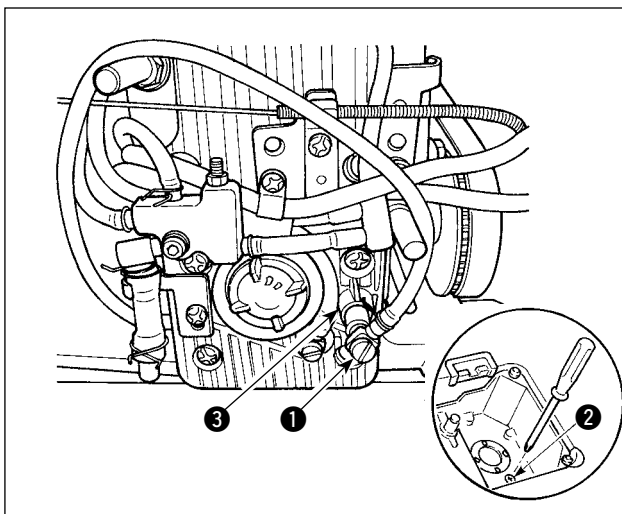
For this sewing machine, one of two different lubricating methods can be selected.

#### (1) Method of circulating lubrication (when the oil collected in the under cover is reused)



To ensure the long service life of the sewing machine, be sure to clean up the aforementioned filter sections (at four locations) periodically (approximately once three months). When the filter is clogged, lubrication trouble will occur and break-down will be caused. In addition, when the oil becomes dirty, replace the oil gathered in the oil tank and the under cover.

#### (2) Method of non-circulation type lubrication (when only the clean oil is always used)



Insert inlet port ❶ for circulation into section ❸ of the feed box cover until it will go no further to put it into the state as it has been delivered to your plant.

\* Drain oil dropped into the under cover by removing drain screw ❷.



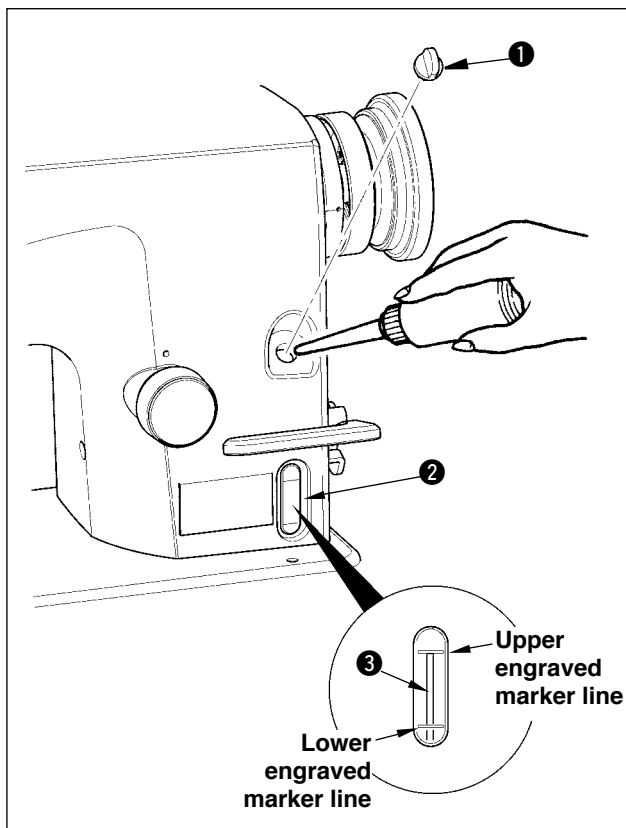
When inlet port for circulation ❶ comes in contact with the oil surface, oil is absorbed without passing the filter. As a result, break-down will be caused. If inlet port ❶ for circulation is not inserted into the feed box cover, oil may leak from inlet port ❶ for circulation or the quantity of oil in the hook may fluctuate.

## 4-2. Lubrication to the oil tank



### WARNING :

1. Do not connect the power plug until the lubrication has been completed so as to prevent accidents due to abrupt start of the sewing machine,
2. To prevent the occurrence of an inflammation or rash, immediately wash the related portions if oil adheres to your eyes or other parts of your body.
3. If oil is mistakenly swallowed, diarrhea or vomiting may occur. Put oil in a place where children cannot reach.



Fill the oil tank with oil for hook lubrication before operating the sewing machine.

- 1) Remove oil hole cap ❶ and fill the oil tank with JUKI NEW DEFRIX OIL No.1 (Part No. : MD-FRX1600C0) or JUKI MACHINE OIL #7 (Part No. : MML007600CA) using the oiler supplied with the machine.
- 2) Add oil until the top end of oil amount indicating rod ❸ does not go above the upper engraved marker line.

If the oil tank is filled with an excessive amount of oil, oil will leak from the air vent hole in the ball float case or proper lubrication will not be carried out. So, be careful.

- 3) When you operate the sewing machine, refill oil if the top end of oil amount indicating rod ❸ comes down to the lower engraved marker line of oil amount indicating window ❷.

- For the first time you fill the oil tank with oil, add 280 cc of oil as a guide and check to be sure that the oil amount indicating rod works. If the oil amount indicating rod does not work, bring it to the workable state by tilting the sewing machine once.



- When you use a new sewing machine or a sewing machine after an extended period of disuse, use the sewing machine after performing break-in at 2,000 sti/min or less.
- For the oil for hook lubrication, purchase JUKI NEW DEFRIX OIL No. 1 (Part No. : MD-FRX1600C0) or JUKI MACHINE OIL #7 (Part No. : MML007600CA).
- Be sure to lubricate clean oil.



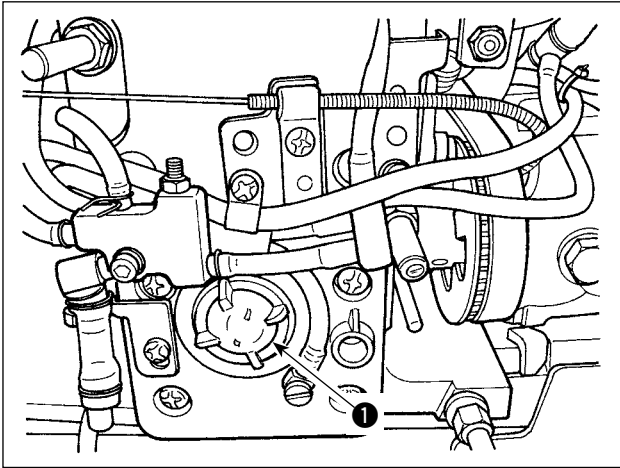
In case of the circulation type lubrication method, when using the sewing machine for the first time, the oil amount in the oil tank decreases until the oil has collected in the filter for circulation. When the top end of oil amount indicating rod is lower than the lower engraved marker line, add the oil to the oil tank again so that the top end enters between the upper and lower engraved marker lines.

### 4-3. Draining of oil from the oil tank



**WARNING :**

1. To prevent accidents caused by abrupt start of the sewing machine, do not connect the power plug until draining of oil has been completed.
2. To prevent the occurrence of an inflammation or rash, immediately wash the related portions if oil adheres to your eyes or other parts of your body.
3. If oil is mistakenly swallowed, diarrhea or vomiting may occur. Put oil in a place where children cannot reach.



When draining oil from the oil tank, loosen and remove oil confirming window ❶.



Oil may burst out from the oil confirming window at the time of draining.

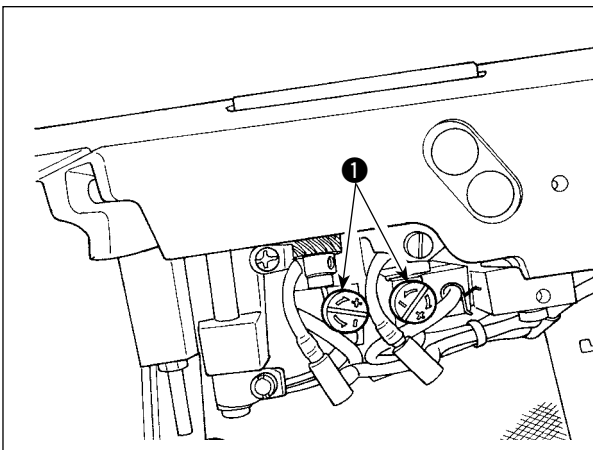
It is recommended, in this case, only to loosen the oil confirming window instead of removing it. Then, drain oil while controlling the oil amount bursting out from the oil amount confirming window ❶.

### 4-4. Adjusting the amount of oil in the hook

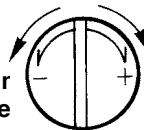


**WARNING :**

To protect against possible personal injury due to abrupt start of the machine, be sure to start the following work after turning the power off and ascertaining that the motor is at rest.



Oil amount decrease



Oil amount increases

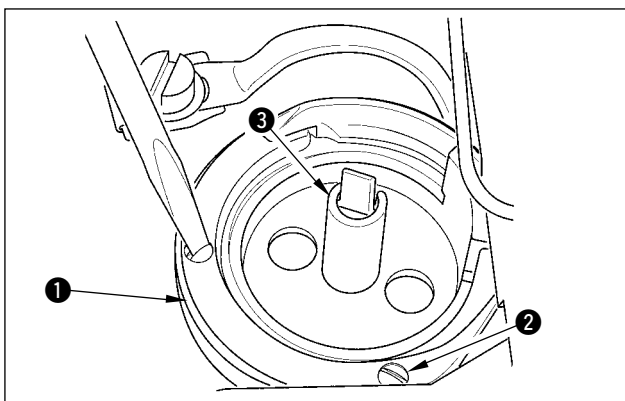
Oil splashes



Adjust the amount oil using adjusting screw ❶. Turn screw ❶ clockwise to increase the amount of oil in the hook or counterclockwise to decrease it. Measure the amount of oil in five seconds. When the amount of oil is excessively decreased, break-down will be caused. So, be careful.



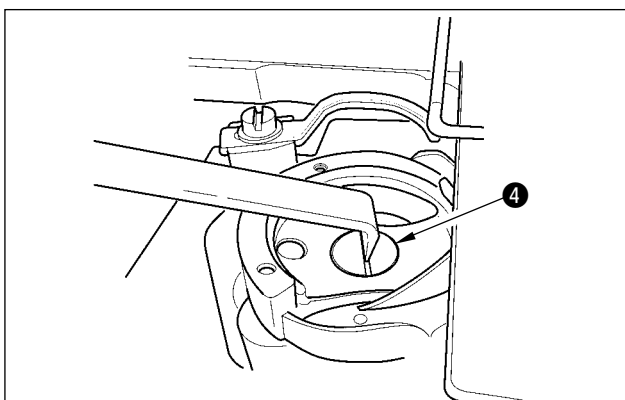
To use in safety, replace the oil wick of hook section with a new one approximately once a year with the procedure below.



1) Loosen setscrews ② (small hook : 2 places, large hook : 3 places) and remove hook gib ①.

2) Remove inner hook ③.

3) Loosen oil plug ④ with the L-shaped screwdriver (Part No. : B9101490000) and remove it.



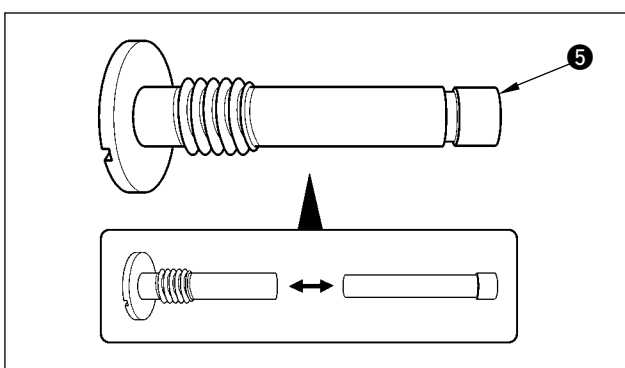
4) Draw out oil wick ⑤ inserted into oil plug ④, and replace it with a new one.

[Part No. of oil wick ⑤]

Small hook / Large hook	11015906
Oil Q'ty in the hook is largish	11404704



When strongly pressing oil wick ⑤, it may be broken. Lightly insert it to such an extent that it is not drawn out.

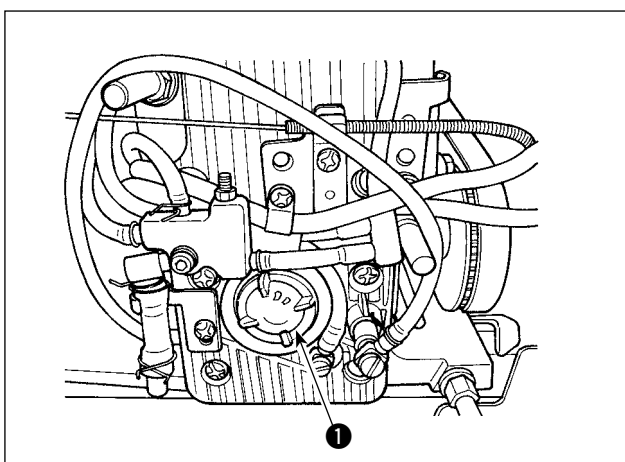


After the replacement, assemble oil plug ④, inner hook ③ and hook gib ① to the hook by reversing the above procedure. Perform confirming of oil splash.



When loosening/assembling, do not allow the slit section of oil plug ④ to be burred.

#### 4-5. Oil in the feed box



When using the sewing machine, make sure that the oil is put in the feed box from oil confirming window ①.



If you find abnormal discoloring of oil or dust in the oil through the oil amount indicating window, loosen the window to drain oil and fill the oil tank with new oil.

## 4-6. Applying grease



### WARNING :

To protect against possible personal injury due to abrupt start of the machine, be sure to start the following work after turning the power off and ascertaining that the motor is at rest.

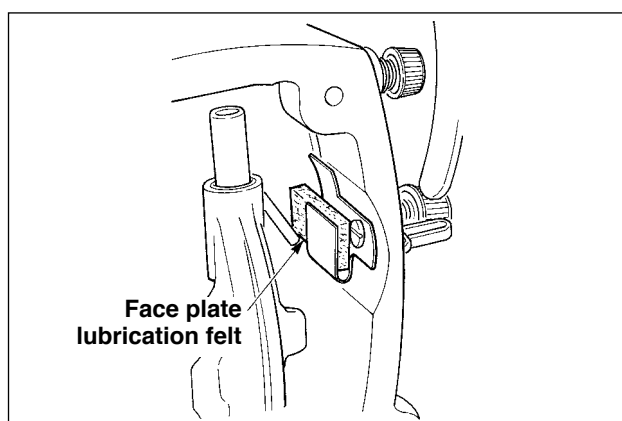
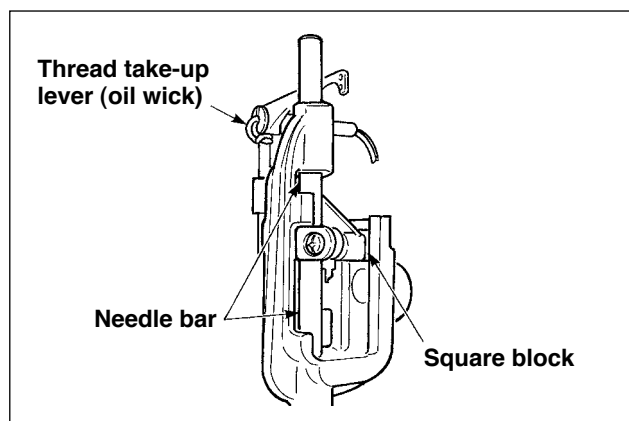
To use the sewing machine in safety, periodically perform grease-up (standard is once in 2 to 3 years) to the grease applying sections of the respective models with the cotton bar or the like. When using SC-920, when the time of grease-up comes, the warning alarm sounds. When the alarm sounds, perform grease-up.



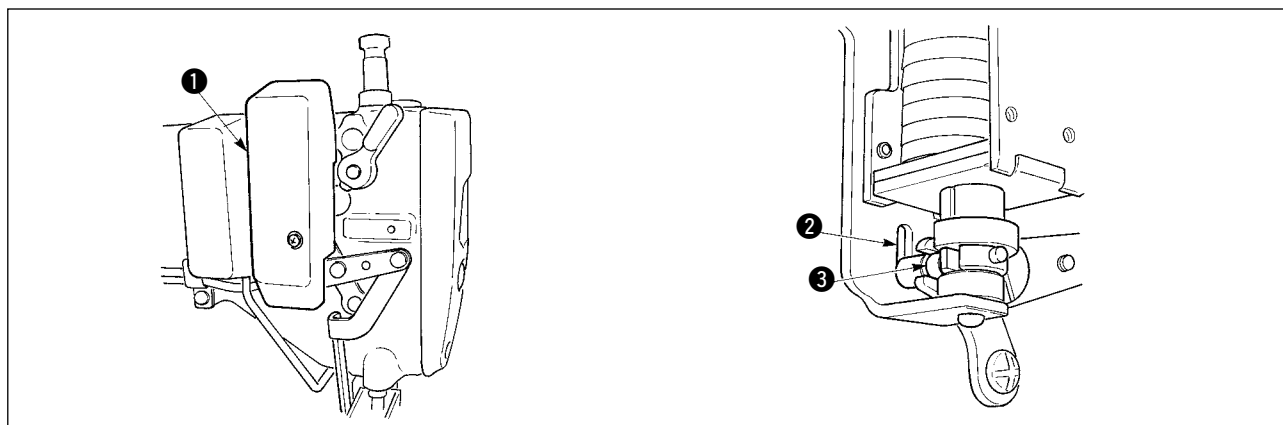
- Never lubricate oil to the grease applying places.
- When grease is applied more than is necessary, there is a fear that grease leaks from the thread take-up lever cover section or the needle bar. So, be careful.
- Be sure to use the grease contained in JUKI GREASE A TUBE (Part No. : 40006323) supplied with the machine head as accessories.

### (1) Sections to be applied with grease

[LH-3528A, 3528A-7, 3578A, 3578A-7]

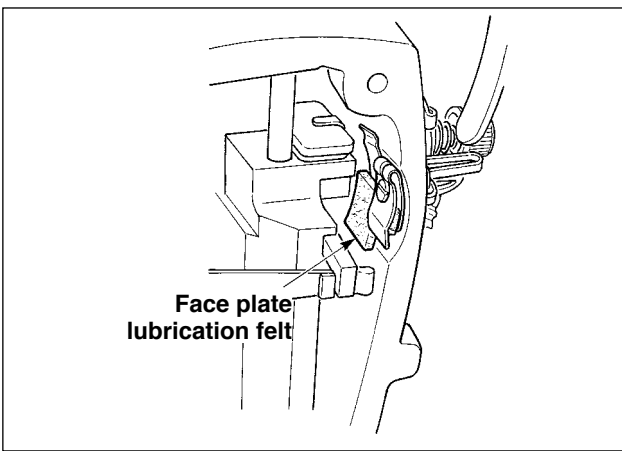
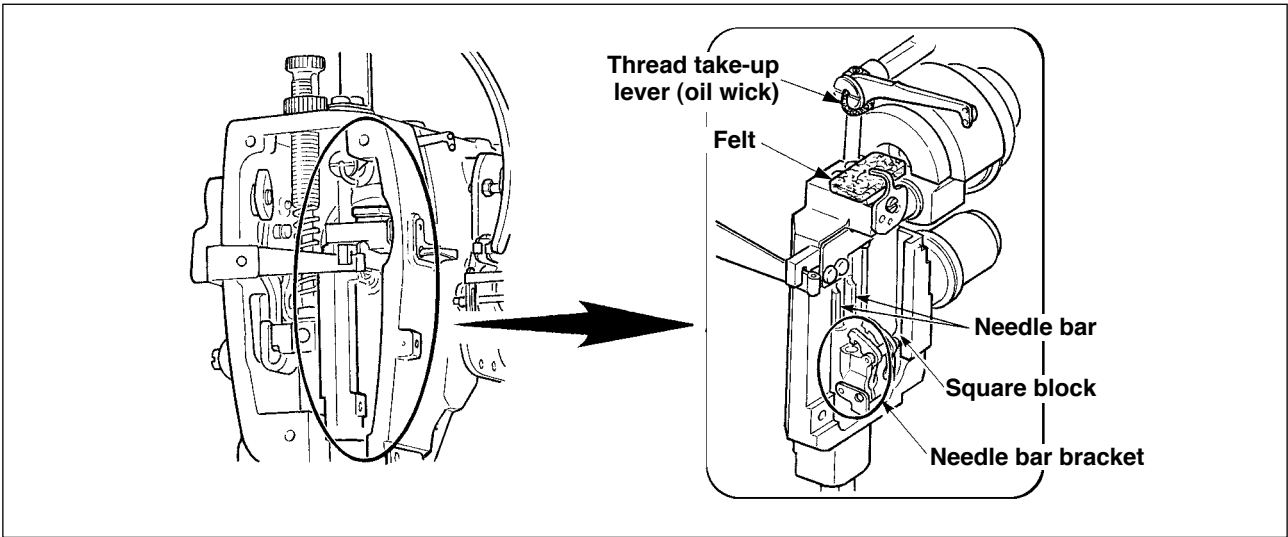


[LH-3528A-7, 3568A-7, 3578A-7, 3588A-7]

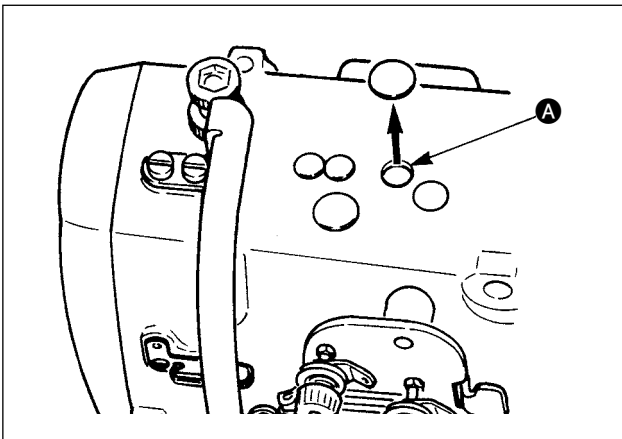


Remove wiper cover ①, and apply grease to slot section ② of wiper solenoid base and wiper link collar ③.

[LH-3568A, 3568A-7, 3588A, 3588A-7]

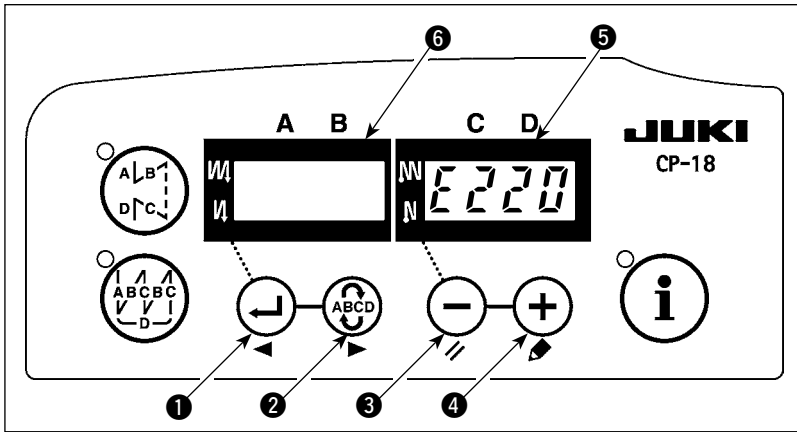


[Common]



Remove the rubber cap, take out the felt in **A**, pour new grease in the hole, and put the felt to which grease has been soaked after removing old grease adhered to the inside of the hole and the felt. Further, pour grease above the felt and cover it with the rubber cap.

## (2) Releasing procedure of the grease-up warning for SC-920

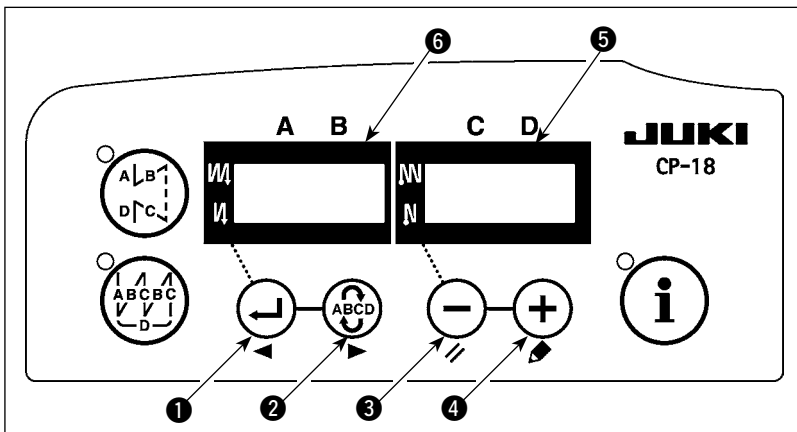


When the time of grease-up has come, screen display of LED **5** on the left-hand figure becomes "E220". After performing grease-up, release the warning following the procedure below.

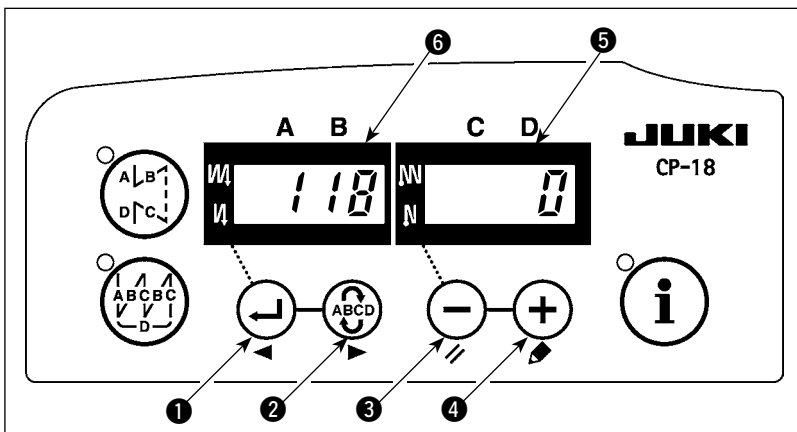


### WARNING :

To avoid possible personal injuries caused by movement other than that you desired, do not operate the switches in the procedure other than those required, as described below, to specify the functions.



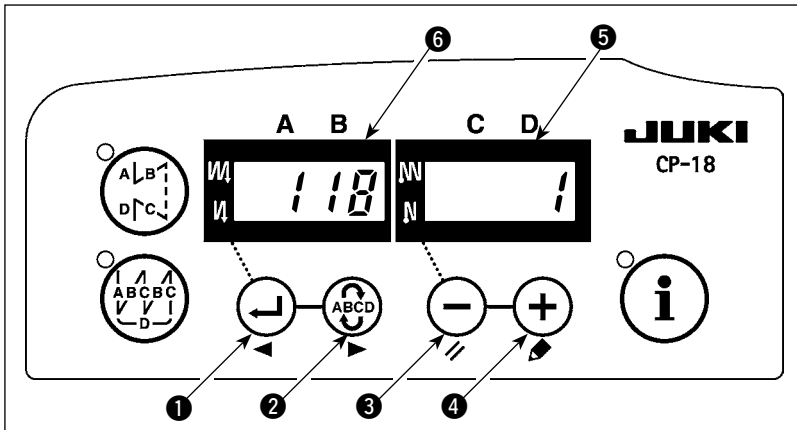
- 1) Turn OFF the power to the unit.
- 2) Pressing switch **+** **4**, turn ON the power to the unit.
- 3) When the screen is displayed, keep switch **+** **4** held pressed for three seconds until the buzzer sounds twice.



- 4) Set the setting No. **6** to "118". When you want to advance the setting No. **6**, press switch **ABCD** **2** to advance the setting No. **6**. When you want to return the setting No. **6**, press switch **←** **1** to return the setting No. **6**.



Keep pressing switch **ABCD** **2** or switch **←** **1**, and the setting No. **6** will advance (return) continuously. If the setting No. **6** is moved forward (or backward), the previous (or subsequent) content of the setting is confirmed. Be careful when the content of a setting is changed (when the up / down switch is touched).



After completion of the operation, turn the power OFF and re-turn it ON to restore the normal operation.

- 5) When setting No. ⑥ is adjusted to "118", the current set value is displayed on LED ⑤. Then Press switch  $\oplus$  ④ (switch  $\ominus$  ③) to change to "1".
- 6) When the change has been completed, press switch  $\text{ABCD}$  ② or  $\text{ABCD}$  ① to specify the changed value.

**Caution**  
When turning OFF the power before performing this work, the contents which have been changed are not updated.

### (3) Releasing procedure of the grease-up "error" For SC-920

When using the machine for a certain period of time after the display of error No. 220 (continuing using the machine without performing grease-up at the time of displaying No. 220), error No. 221 is displayed and the machine stops running.

In this case, apply grease to the specified sections, then reset the error according to the description given in ["\(2\) Releasing procedure of the grease-up warning for SC-920" p. 13.](#)

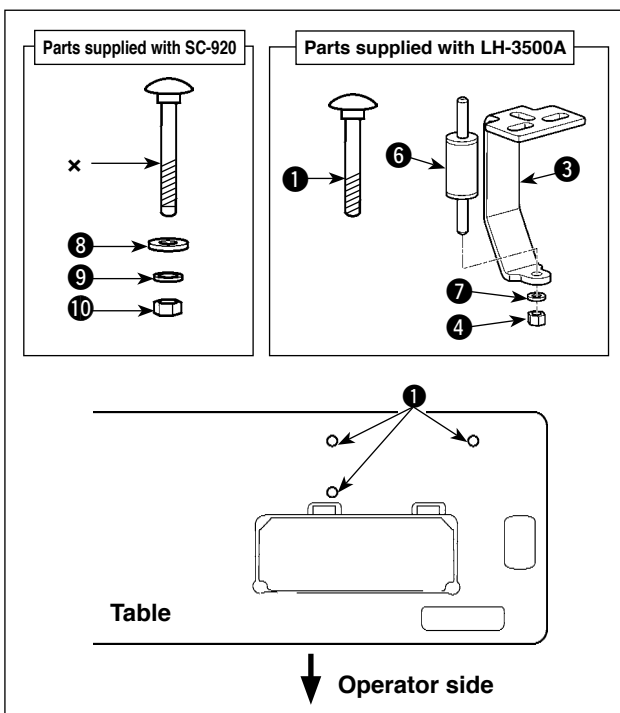
After completion of the operation, turn the power OFF and re-turn it ON to restore the normal operation.

## 4-7. Setting up the SC-920

### (1) Specifications

Supply voltage	3-phase 200 to 240V
Frequency	50Hz/60Hz
Operating environment	Temperature : 0 to 40°C Humidity : 90% or less
Input	320VA

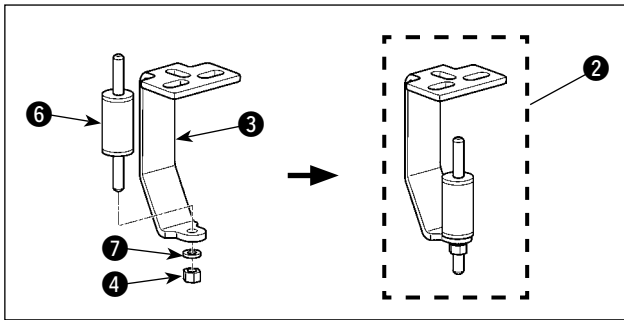
### (2) Installing on the table (LH-3528A-7, 3568A-7, 3578A-7 and 3588A-7)



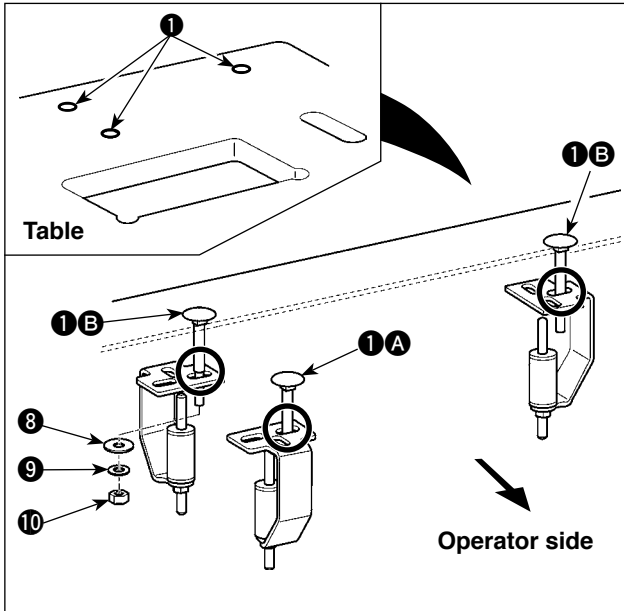
- 1) Hammer decoration bolt ① supplied with the LH-3500A into table.

**Caution**  
The decoration bolt supplied with the SC-920 is not used.



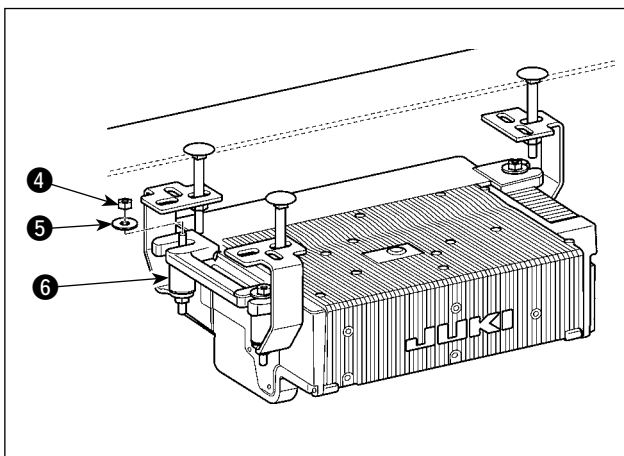


- 2) Fix rubber cushion ⑥ on control-box mounting plate ③ with nut ④ and spring washer ⑦. Three sets of ② are required.



- 3) Fix control-box mounting plates ② assembled in step 2) on the table with decoration bolts ①, washers ⑧, spring washers ⑨ and nuts ⑩. Screw ①A at one location this side as observed from the operator should be securely tightened, and two screws ①B at two locations far side from the operator should be temporarily tightened.

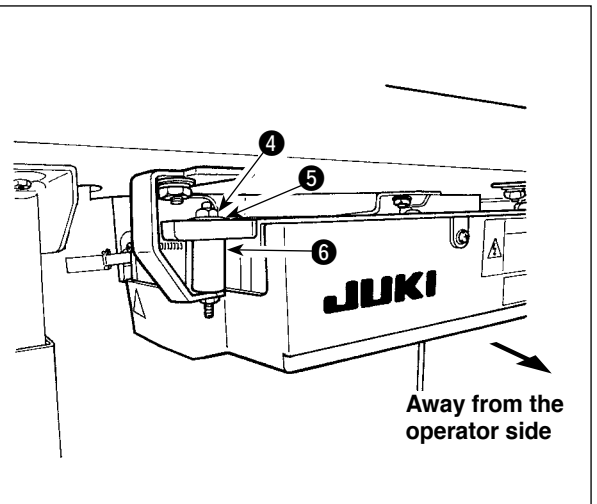
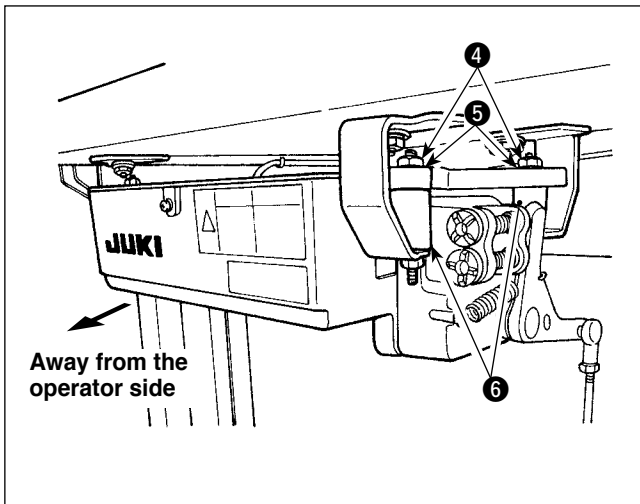
- \* Install control-box mounting plate ③ as illustrated in the figure, carefully checking the installing direction and the location of holes.
- \* The washers, spring washers and nuts supplied with the SC-920 should be used.



- 4) Place the SC-920 on rubber cushions ⑥ and fix with nuts ④ and washers ⑤. Install the control box while carefully changing the position of the temporarily-fixed control-box mounting plate (right one as observed from the worker).

**1. If you use the decoration bolt supplied with the SC-920, the control box cannot be installed since the bolt interferes with the control box.**

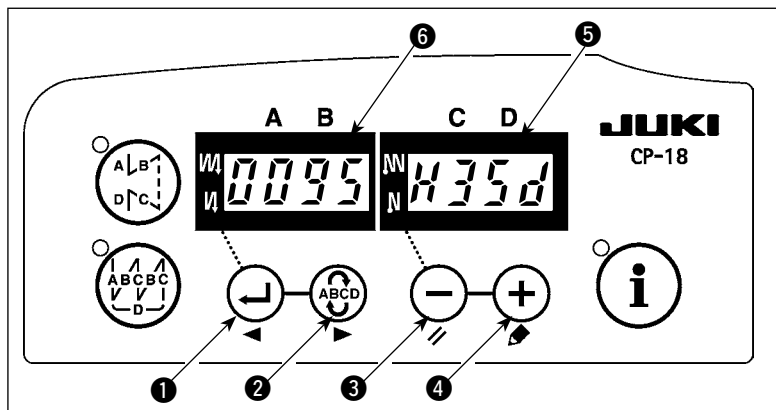
**2. If the control-box mounting plates are fixed on the table in a wrong installing direction or with the hole located at a wrong position, the control box cannot be installed.**



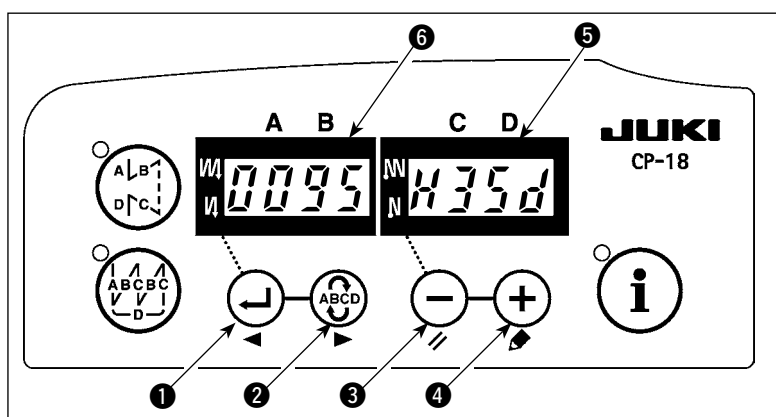
### (3) Setting procedure of the machine head



For the operation panel other than CP-18, refer to the Instruction Manual for the operation panel to be used for the setting procedure of the machine head.

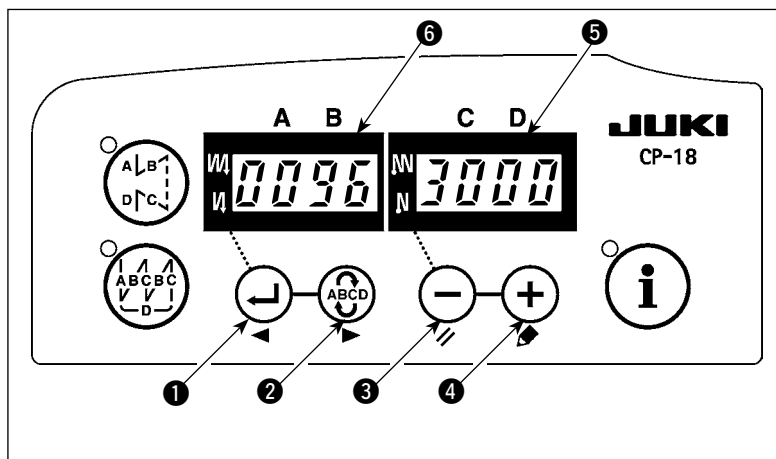


- 1) Call function setting No. 95 referring to "III-6. Setting functions of SC-920" in the Instruction Manual for the SC-920.



- 2) The type of machine head can be selected by pressing  $\ominus$  switch ③ ( $\oplus$  switch ④).

\* Refer to "CAUTIONS WHEN SETTING UP THE SEWING MACHINE" or "Machine head list" on the separate sheet for the types of machine heads.

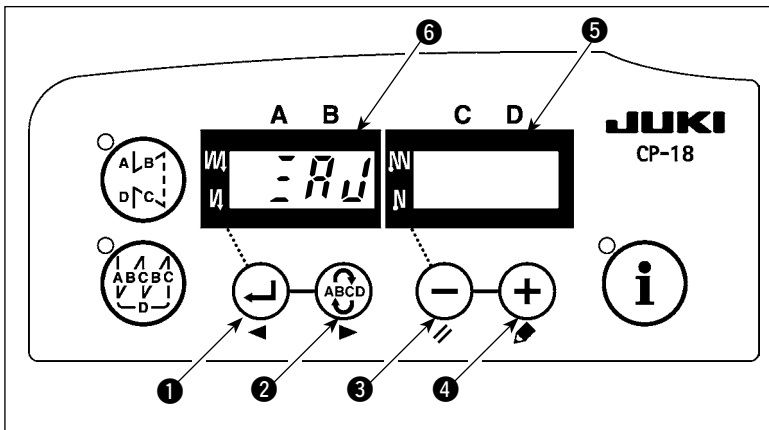


- 3) After selecting the type of machine head, by pressing  $\leftarrow$  switch ① ( $\text{ABCD}$  switch ②), the step proceeds to 96 or 94, and the display automatically changes to the contents of the setting corresponding with the type of machine head.

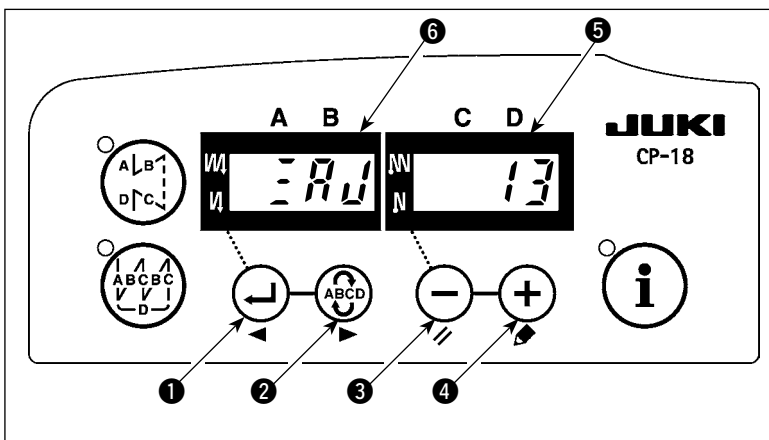
#### (4) Adjusting the machine head (LH-3528A-7, 3568A-7, 3578A-7 and 3588A-7)



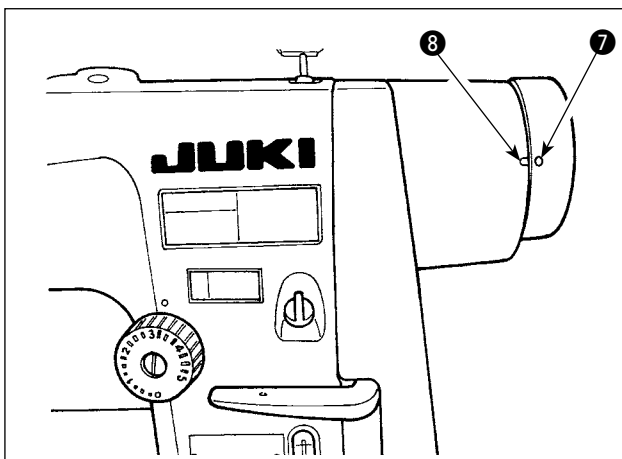
When the slip between the white marker dot on the handwheel and the concave of the cover is excessive after thread trimming, adjust the angle of the machine head by the operation below.



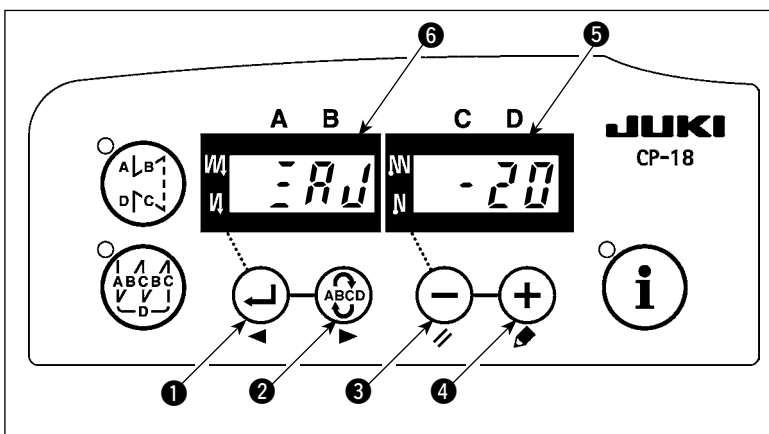
- 1) Simultaneously pressing switch **2** and switch **3**, turn ON the power switch.
- 2) *RU* is displayed (**6**) in the indicator and the mode is changed over to the adjustment mode.



- 3) Turn the pulley of the machine head by hand until the main-shaft reference signal is detected. At this time, the degree of an angle from the main-shaft reference signal is displayed on the indicator **5**. (The value is the reference value.)



- 4) In this state, align the white dot **7** of the handwheel with the concave **8** of the pulley cover as shown in the figure.



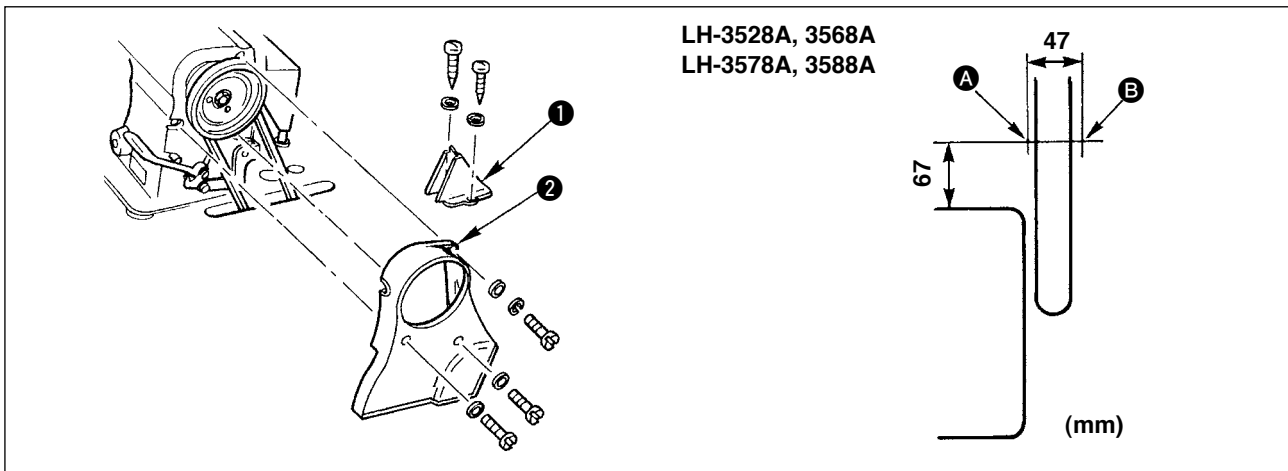
- 5) Press switch **4** to finish the adjustment work. (The value is the reference value.)

#### 4-8. Installing the belt cover (For LH-3528A, 3568A, 3578A and 3588A)



##### WARNING :

To protect against possible personal injury due to abrupt start of the machine, be sure to start the following work after turning the power off and ascertaining that the motor is at rest.



- 1) Drill guide holes **A** and **B** of wood screws in the table.
- 2) Temporarily fix belt cover B **1** to the place of guide holes **A** and **B**.
- 3) Install belt cover A **2** to the arm installing section.
- 4) Adjust the position of belt cover B **1** and fix it with wood screw.

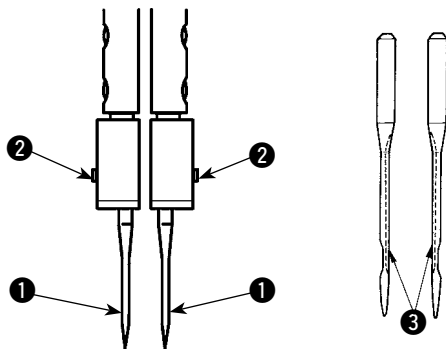
#### 4-9. Attaching the needles



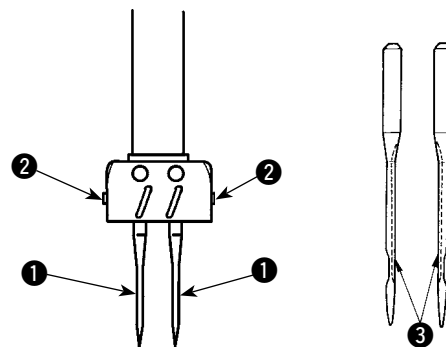
##### WARNING :

To protect against possible personal injury due to abrupt start of the machine, be sure to start the following work after turning the power off and ascertaining that the motor is at rest.

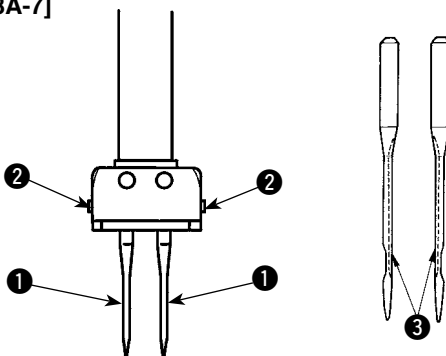
[LH-3568A, 3568A-7, 3588A and 3588A-7]



[LH-3528A(A type and F type)]



[LH-3528A(S type and G type), 3528A-7, 3578A and 3578A-7]



Switch "off" the motor.

Use DPx5(134) needles.

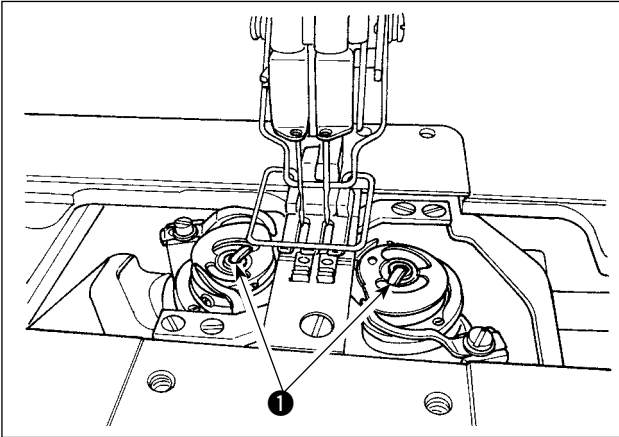
- 1) Turn the handwheel until the needle bar has come up to the highest point of its stroke.
- 2) Loosen needle clamp screws **2** and pick up two needles **1** in the way that their grooves **3** are facing outwards.
- 3) Insert the needles into the needle clamp as far as they will go.
- 4) Tighten needle clamp screws **2** firmly.

#### 4-10. How to take out the bobbin case



##### WARNING :

To protect against possible personal injury due to abrupt start of the machine, be sure to start the following work after turning the power off and ascertaining that the motor is at rest.



- 1) Lift latch ❶ and take out the bobbin case and the bobbin together.
- 2) Hold the bobbin case by latch raised, put it into the shaft in the hook correctly and release the latch.

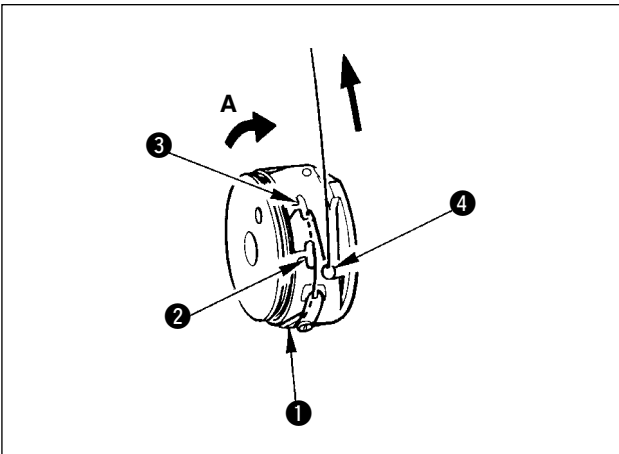
#### 4-11. Inserting a bobbin in a bobbin case



##### WARNING :

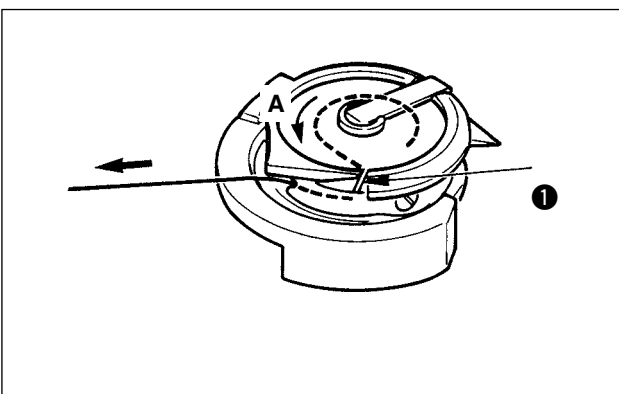
To protect against possible personal injury due to abrupt start of the machine, be sure to start the following work after turning the power off and ascertaining that the motor is at rest.

[LH-3568A, 3568A-7, 3588A and 3588A-7]



- 1) Set a bobbin to the bobbin case so that the bobbin turns in the direction of arrow mark **A**.
- 2) Pass the thread through thread slit ❶ in the bobbin case and draw the thread and pull the thread so that it passes under the tension spring.
- 3) Pass thread through another thread slit ❷ then, pass it through thread slit ❸ on the bobbin case from the inside.
- 4) Put the thread on bobbin threads slack preventer spring ❹.

[LH-3528A, 3528A-7, 3578A and 3578A-7]



- 1) Set a bobbin to the bobbin case so that the bobbin turns in the direction of arrow mark **A**.
- 2) Pass the thread through thread slit ❶ in the hook and draw the thread and pull it so that it passes under the tension spring.

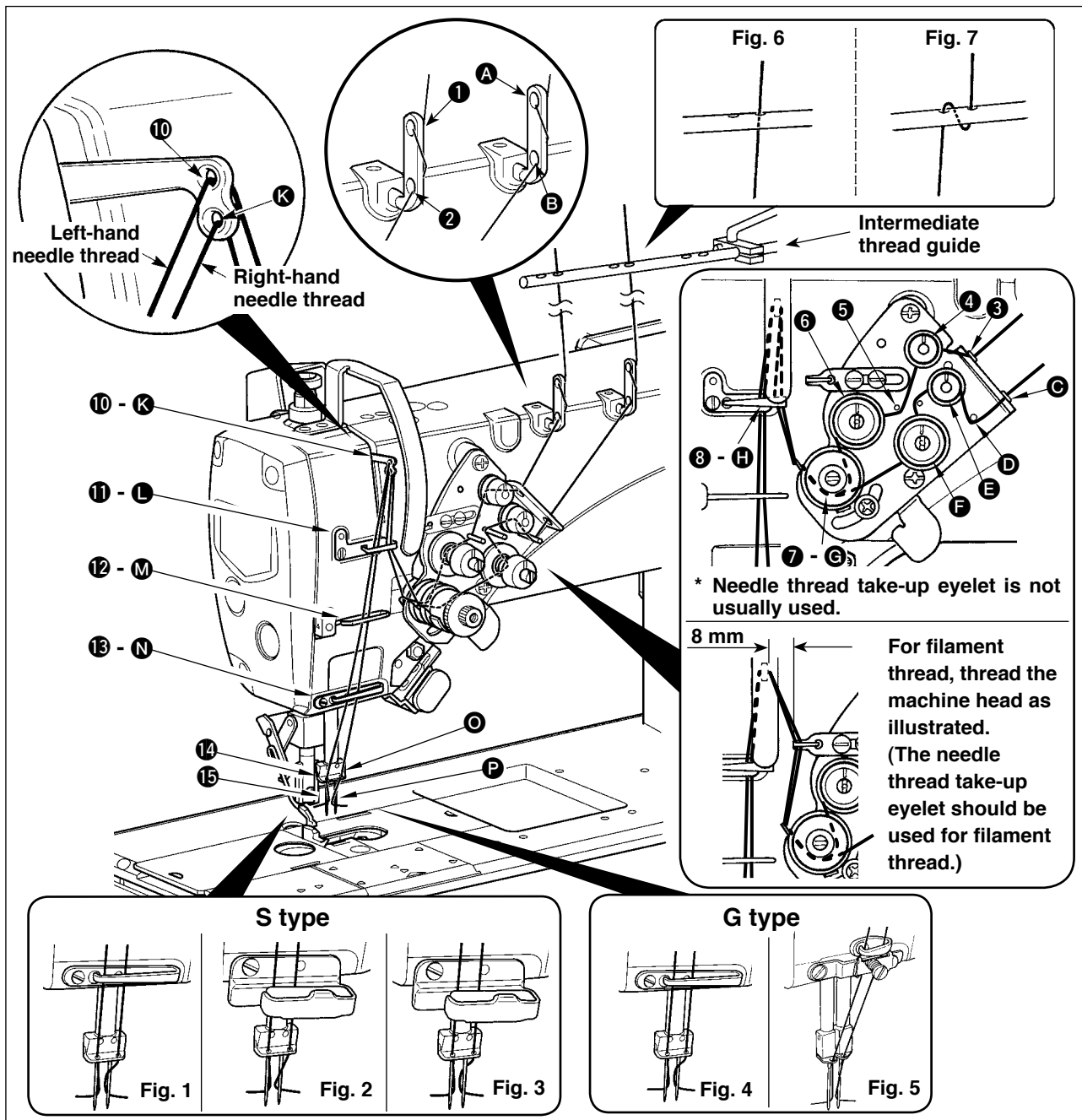
## 4-12. Threading the machine head

[S type and G type] LH-3528A, 3528A-7, 3568A and 3568A-7



### WARNING :

To protect against possible personal injury due to abrupt start of the machine, be sure to start the following work after turning the power off and ascertaining that the motor is at rest.



Thread the machine head following the order as illustrated in the figure.

Pass the left-hand needle thread, toward the machine head, in the order of ① to ⑮. Pass the right-hand needle thread in the order of A to P.



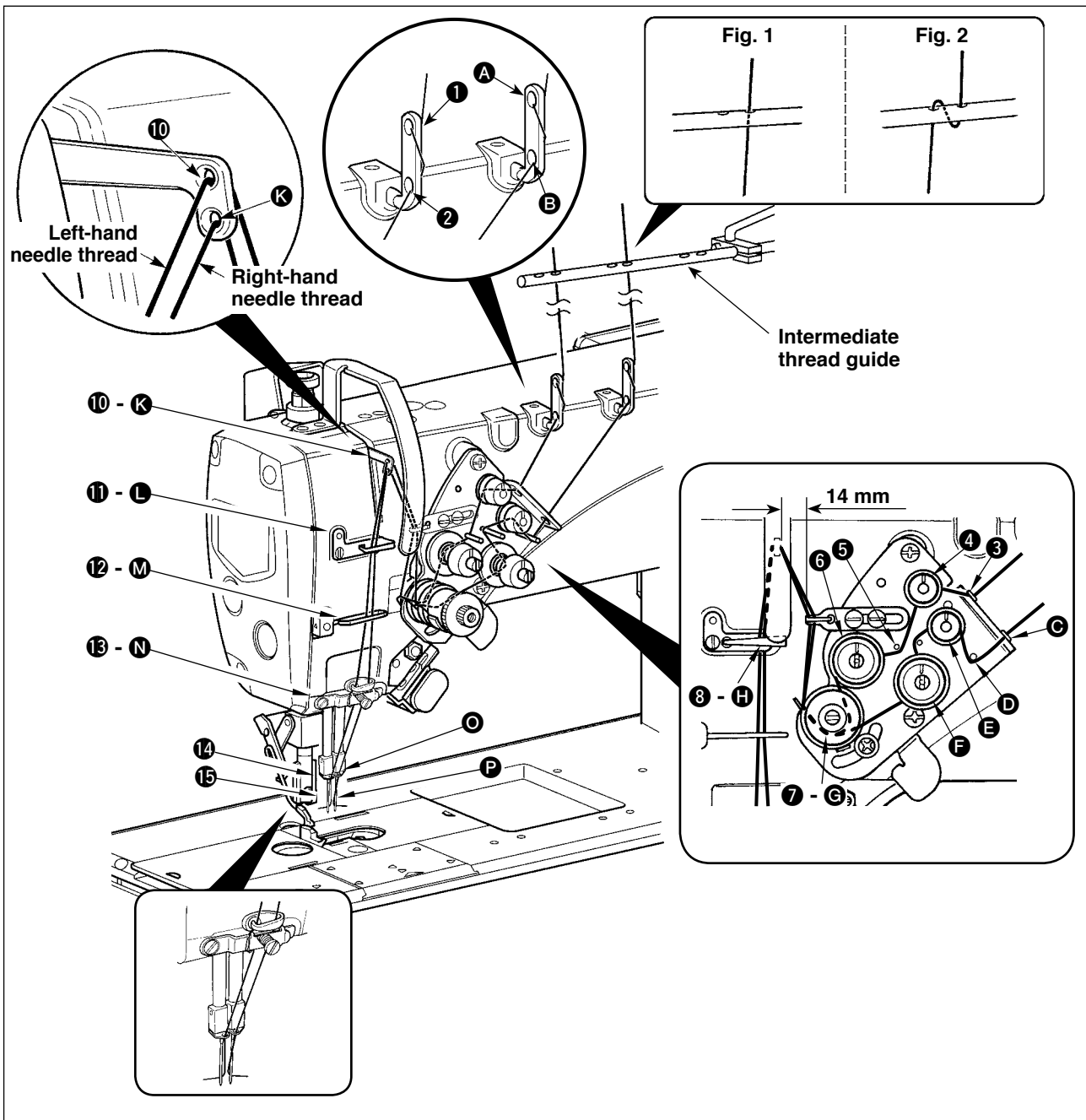
1. Carefully check how to thread the needle clamp thread guides (⑭, ⑯).
  - (S type) See Fig 1 for polyester spun thread, Fig. 2 for thick filament thread of yarn count #50 or lower and around #50, or Fig 3 for thin filament thread of yarn count #50 or higher.
  - (G type) See Fig. 4 for thick thread of yarn count #5 to #30.
2. When using filament thread for sewing, use the felt thread guides supplied with the sewing machine. If the needle thread loosens or breaks, take some preventive measure such as winding the thread on the needle (S type).
3. To produce chain-off thread, the felt thread guide (in Fig. 2 or Fig. 3) should be used for the S type, or the needle thread presser (in Fig. 5) should be used for the G type.
4. For the LH-3528A-7 or LH-3568A-7, thread the intermediate thread guide as follows:
  - For polyester spun thread, see Fig. 6. For filament thread, see Fig. 7.

[G type] LH-3578A, 3578A-7, 3588A and 3588A-7



**WARNING :**

To protect against possible personal injury due to abrupt start of the machine, be sure to start the following work after turning the power off and ascertaining that the motor is at rest.



Thread the machine head following the order as illustrated in the figure.

Pass the left-hand needle thread, toward the machine head, in the order of ① to ⑮. Pass the right-hand needle thread in the order of A to P.



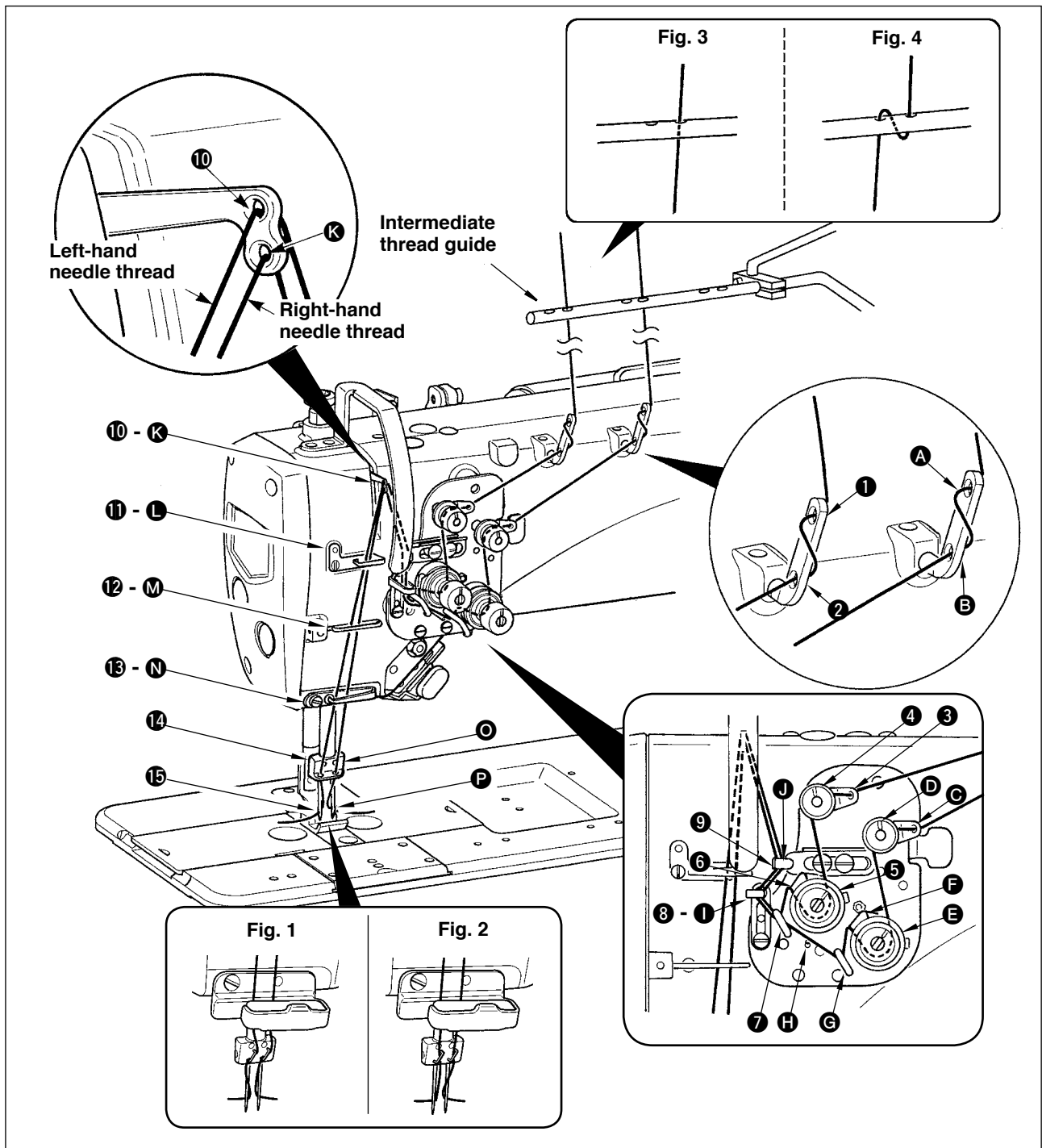
1. Thread guide (⑫, M) is able to prevent the needle thread from flapping according to its inclination. If the thread guide is inclined excessively, the needle thread can tangle on thread guide (⑬, N). So, carefully adjust the inclination of the thread guide.
2. For the LH-3578A-7 or LH-3588A-7, thread the intermediate thread guide as follows:
  - For polyester spun thread, see Fig. 1. For filament thread, see Fig. 2.

[A type and F type]



**WARNING :**

To protect against possible personal injury due to abrupt start of the machine, be sure to start the following work after turning the power off and ascertaining that the motor is at rest.



Thread the machine head following the order as illustrated in the figure.

Pass the left-hand needle thread, toward the machine head, in the order of ① to ⑮. Pass the right-hand needle thread in the order of A to P.



1. Be careful of threading of needle clamp thread guides (⑭, ⑯).

• See Fig. 1 for thin filament thread of yarn count #50 or higher, and Fig. 2 for thick filament thread of yarn count #50 or lower, filament thread around yarn count #50 and polyester spun thread.

2. Pass right-side needle thread through the upper side of thread guide pin H.

3. Pass the thread through the intermediate thread guide of LH-3528A-7 and 3568A-7 as follows.

• Fig. 3 for polyester spun thread. Fig. 4 for filament thread.



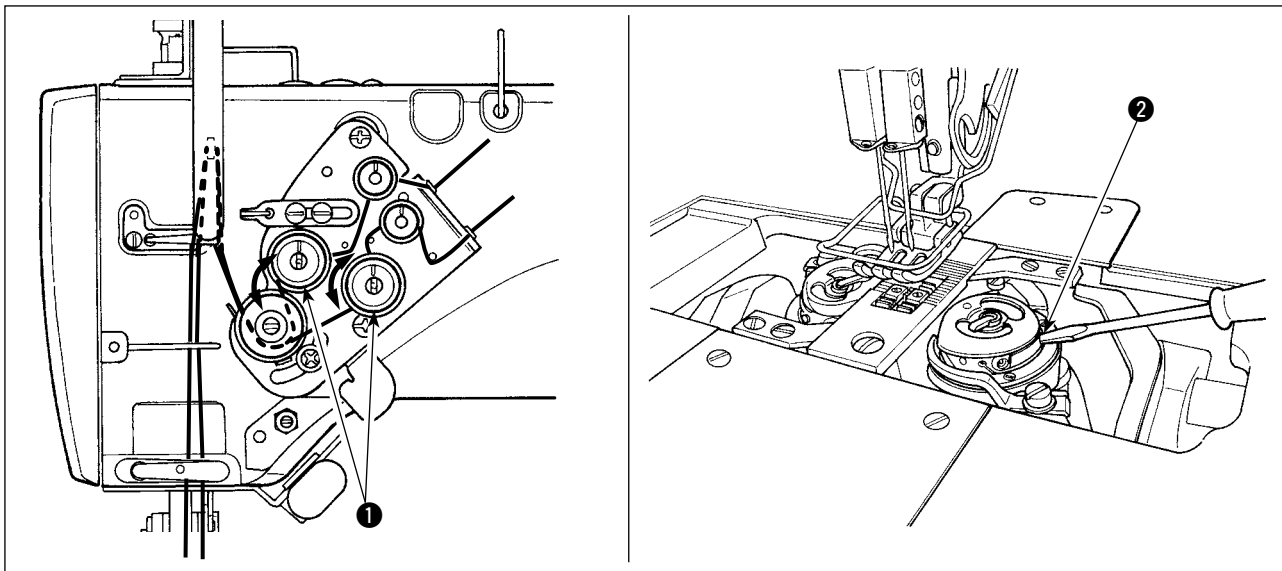
## 4-13. Thread tension



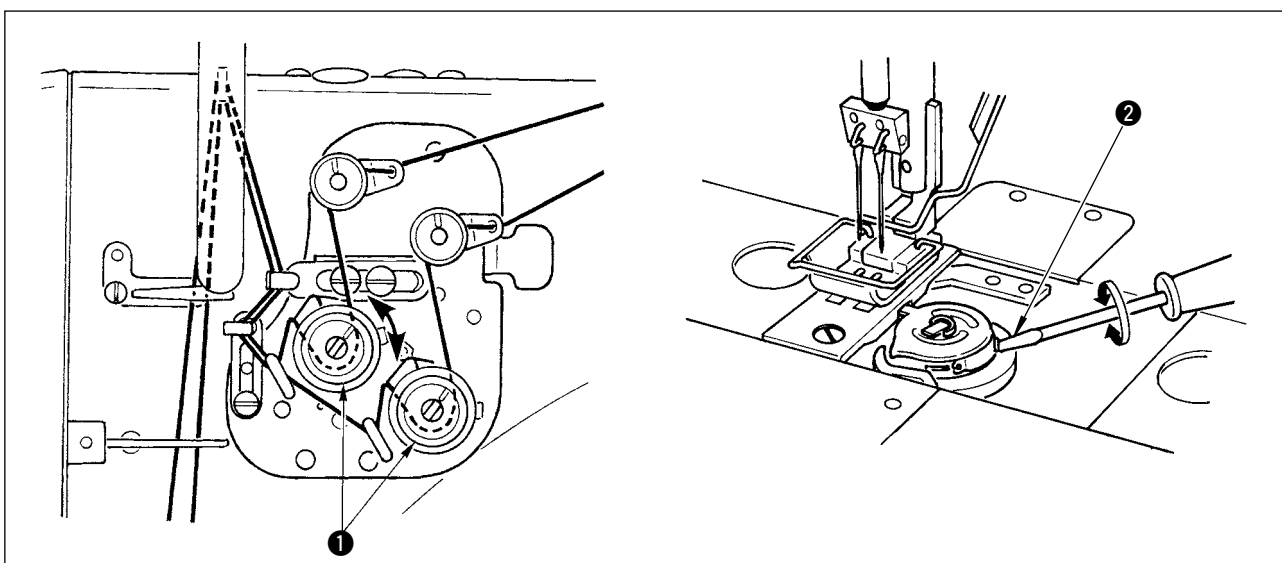
### WARNING :

To protect against possible personal injury due to abrupt start of the machine, be sure to start the following work after turning the power off and ascertaining that the motor is at rest.

### [S type and G type]



### [A type and F type]



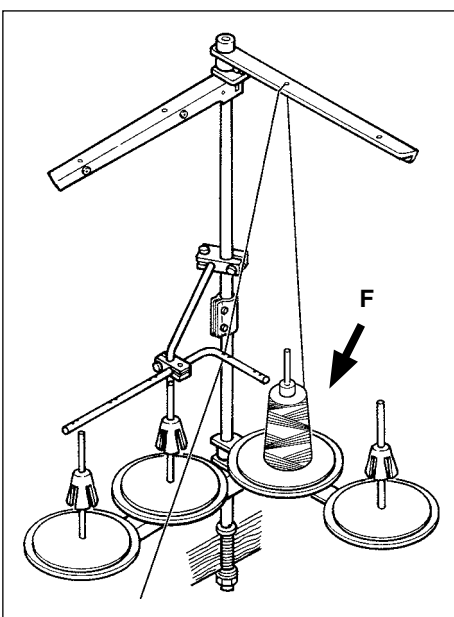
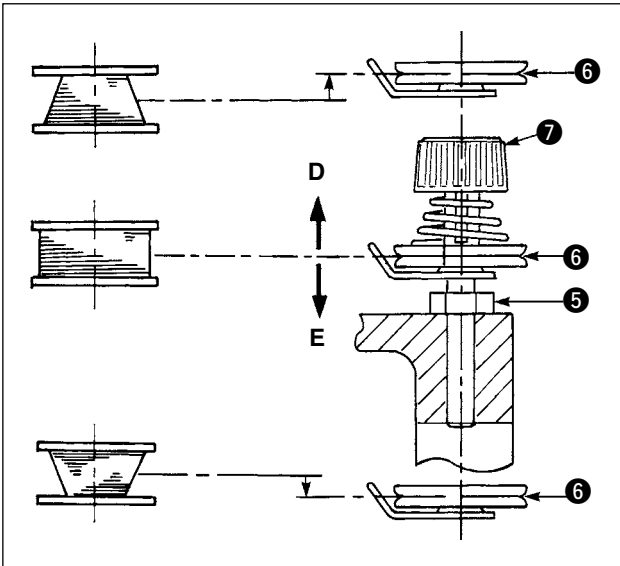
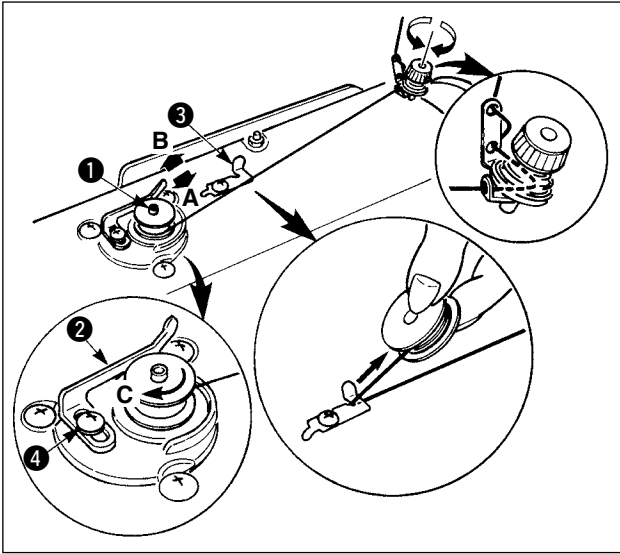
1) Needle thread tension

Turn thread tension nut No. 2 **1** clockwise to increase or counterclockwise to reduce the needle thread tension.

2) Bobbin thread tension

Turn tension adjusting screw **2** clockwise to increase or counterclockwise to reduce the bobbin thread tension.

## 4-14. Winding the bobbin thread



- 1) Insert the bobbin deep into the bobbin winder spindle ① until it will go no further.
- 2) Pass the bobbin thread pulled out from the spool rested on the right side of the thread stand following the order as shown in the figure on the left. Then, wind clockwise the end of the bobbin thread on the bobbin several times. (In case of the aluminum bobbin, after winding clockwise the end of the bobbin thread, wind counterclockwise the thread coming from the bobbin thread tension several times to wind the bobbin thread with ease.)
- 3) Press the bobbin winder trip latch ② in the direction of A and start the sewing machine. The bobbin rotates in the direction of C and the bobbin thread is wound up. The bobbin winder spindle ① automatically as soon as the winding is finished.
- 4) Remove the bobbin and cut the bobbin thread with the thread cut retainer ③.
- 5) When adjusting the winding amount of the bobbin thread, loosen setscrew ④ and move bobbin winding lever ② to the direction of A or B. Then tighten setscrew ④.
  - To the direction of A : Decrease
  - To the direction of B : Increase
- 6) When the bobbin is not evenly wound with thread, loosen nut ⑤ and adjust the height of bobbin winder tension disk ⑥.
  - It is the standard that the center of the bobbin is as high as the center of thread tension disk ⑥.
  - Adjust the position of thread tension disk ⑥ to the direction of D when the winding amount of the bobbin thread on the lower part of the bobbin is excessive and to the direction E when the winding amount of the bobbin thread on the upper part of the bobbin is excessive.
- After the adjustment, tighten nut ⑤.
- 7) To adjust the tension of the bobbin winder, turn the thread tension nut ⑦.

- Caution**

  1. When winding the bobbin thread, start the winding in the state that the thread between the bobbin and thread tension disk ⑥ is tense.
  2. When winding the bobbin thread in the state that sewing is not performed, remove the needle thread from the thread path of thread take-up and remove the bobbin from the hook.
  3. There is the possibility that the thread pulled out from the thread stand is loosened due to the influence (direction) of the wind and may be entangled in the hand-wheel. Be careful of the direction of the wind.
  4. Slackened part of the thread can get tangled on the pulley. It is recommended, in order to avoid the above-stated trouble, to wind the bobbin on the F side which is located far from the motor.

## 4-15. Thread take-up spring

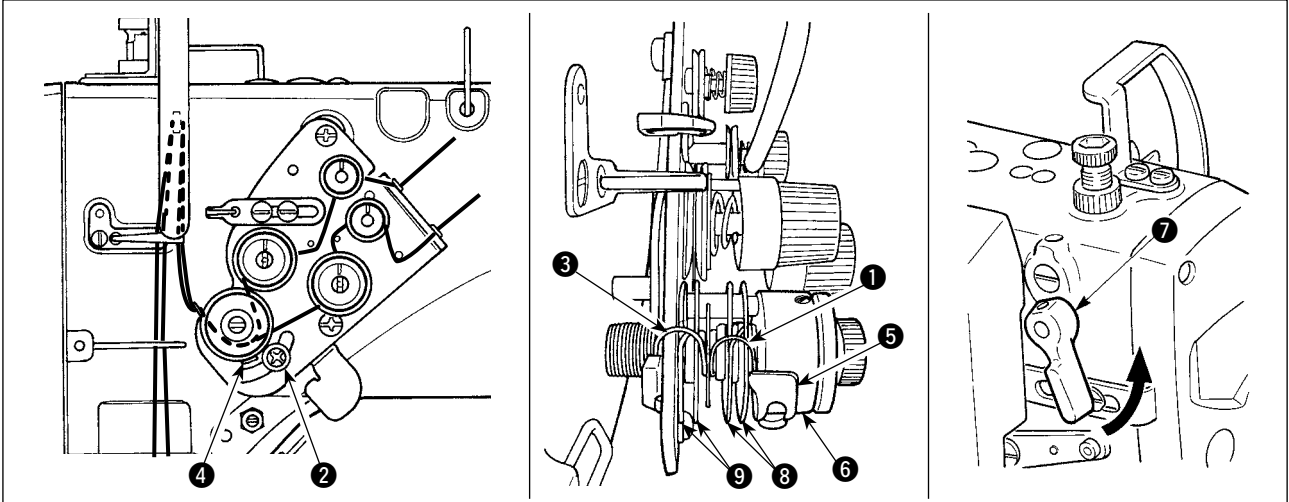


### WARNING :

To protect against possible personal injury due to abrupt start of the machine, be sure to start the following work after turning the power off and ascertaining that the motor is at rest.

[S type and G type]

### (1) When you want to change the stroke of the thread take-up spring

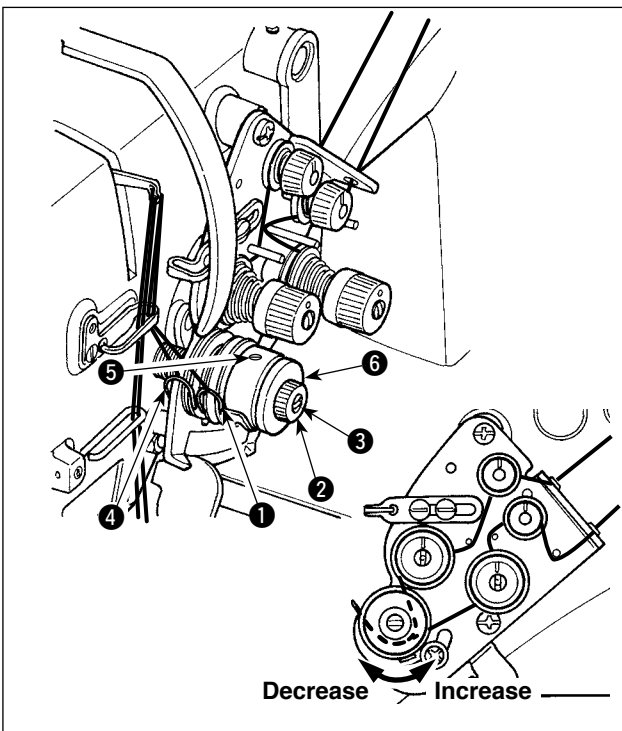


- 1) For thread take-up spring **3** on the left side, loosen screw **2** and adjust the stroke of the spring by moving the screw along the slot for adjustment.
- 2) For thread take-up spring **1** on the right side, loosen screw **4** and adjust the stroke of the spring by moving thread take-up spring adjusting plate **5** along thread take-up spring base **6**.



In addition, for LH-3528A, 3528A-7, 3578A and 3578A-7, make sure that thread tension disks **8** and **9** securely rise when hand lifter lever **7** is turned in the direction of the arrow.

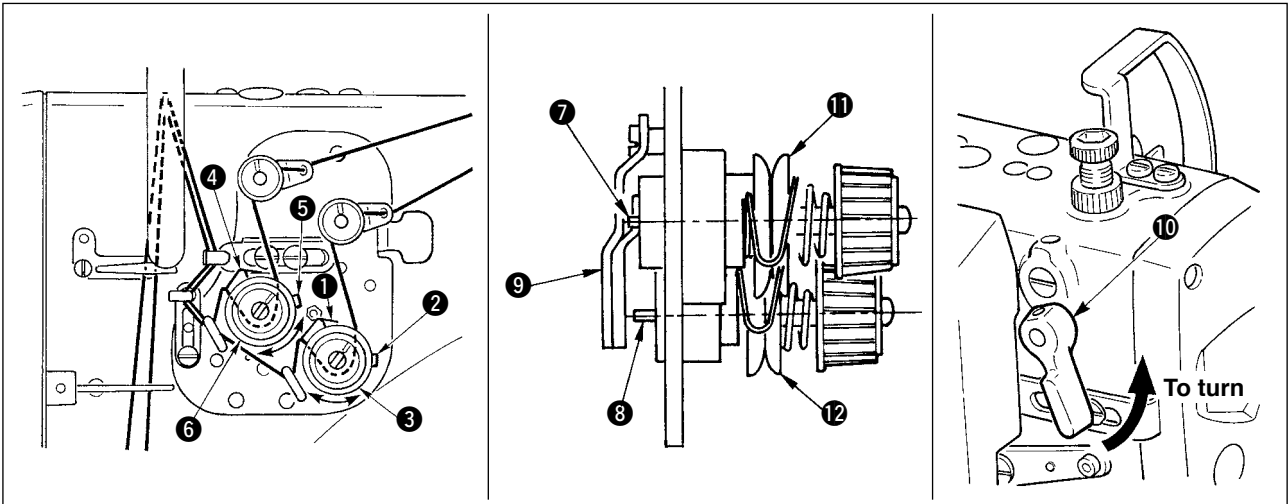
### (2) When you want to change the tension of the thread take-up spring



- 1) To change the tension of thread take-up spring **4** on the left side, loosen nut **2** and turn spring stud **3** clockwise to increase or counterclockwise to decrease the tension of the spring. After the adjustment, fix the stud by tightening nut **2**.
- 2) To change the tension of thread take-up spring **1** on the right side, loosen screw **5** and turn nut **6** clockwise to increase or counterclockwise to decrease the tension of the spring. After the adjustment, fix nut by tightening screw **5**.

[A type and F type]

(1) When you want to change the stroke of the thread take-up spring



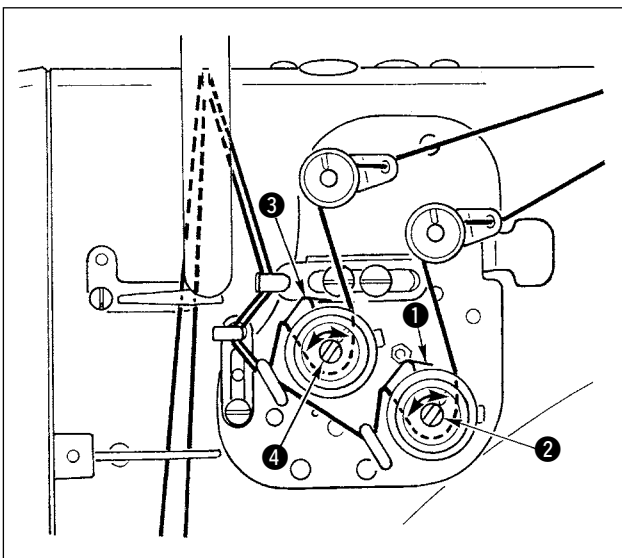
- 1) Stroke of thread take-up spring ① on the right is adjustable by moving thread tension No. 2 asm. ③ to the left or right after loosening thread tension No. 2 setscrew ②.
- 2) Stroke of thread take-up spring ④ on the left is adjustable by moving thread tension No. 2 asm. ⑥ to the left or right after loosening thread tension No. 2 setscrew ⑤.
- 3) Move thread tension No. 2 asm. ③ and ⑥ to the right to increase or to the left to decrease the stroke of the thread take-up spring.



When adjusting the stroke of thread take-up springs ① and ④, thread release pins ⑦ and ⑧ should not come in contact with disk release plate ⑨.

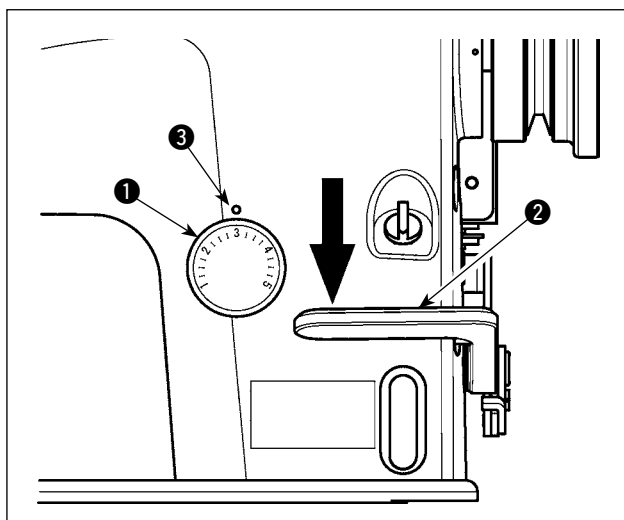
In addition, for LH-3528A, 3528A-7 make sure that thread tension disks ⑪ and ⑫ securely rise when hand lifter lever ⑩ is turned in the direction of the arrow.

(2) When you want to change the tension of the thread take-up spring



- 1) Tension of thread take-up spring ① on the right is adjustable by turning spring stud ② to the right to increase or to the left to reduce.
- 2) Tension of thread take-up spring ③ on the left is adjustable by turning spring stud ④ to the right to increase or to the left to reduce.

## 4-16. Adjusting the stitch length



Turn stitch dial ❶ counterclockwise (clockwise) to set the value on the dial corresponding to a desired stitch length to the marker dot ❸ engraved on the machine arm.

When it is hard to turn stitch dial ❶, turn it while slightly depressing reverse feed control lever ❷.

### • Reverse feed operation

- 1) Depress reverse feed control lever ❷.
- 2) Reverse stitches are made as long as you keep depressing the lever.
- 3) Release lever, and the machine will run forward.

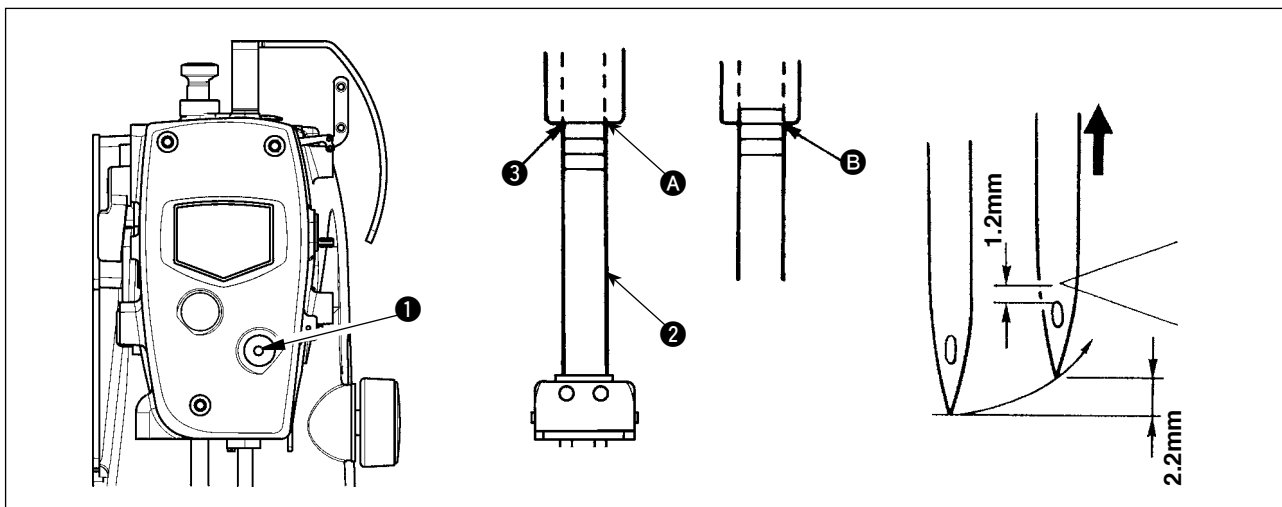
## 4-17. Needle-to-hook relation



### WARNING :

To protect against possible personal injury due to abrupt start of the machine, be sure to start the following work after turning the power off and ascertaining that the motor is at rest.

[LH-3528A, 3528A-7, 3578A and 3578A-7]



### • Adjust the needle and the hook as follows.

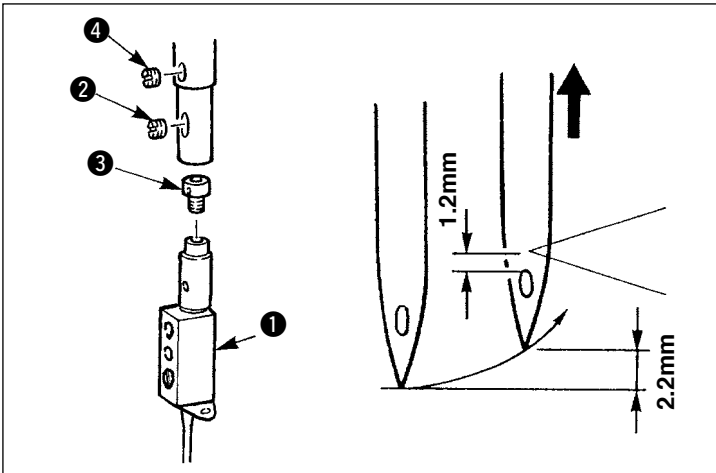
- 1) Set the stitch dial at 2 for the A or F type, 2.5 for the S type or 3 for the G type.
- 2) Turn the handwheel to bring the needle bar to the lowest position and loosen needle bar connecting stud clamping screw ❶.
- 3) Determine the height of needle bar. The upper two of engraved marker lines are for DPx5(134) needle, and the lower two of them are for DP X 17(135x17) needle.

### [Adjusting procedure for DPx5(134) needle]

Adjust top engraved marker line ❸ of needle bar ❷ to the bottom end of needle bar rocking base ❹, and tighten the needle bar connecting stud clamping screw ❶. At this time, the needle bar goes up by 2.2 mm from the lowest position (adjust the second engraved marker line ❺ to the bottom end of needle bar rocking base ❹) and the blade point of hook aligns with the center of needle. Then the distance between the top end of needle eyelet and the blade point of hook becomes 1.2 mm.

### [Adjusting procedure for DP X 17(135x17) needle]

Use the lower two of the engraved marker lines, and perform the adjustment by the same procedure as that of [Adjusting procedure for DPx5(134) needle].



• Adjust the needle and the hook as follows.  
**[Adjusting procedure for DPx5(134) needle]**

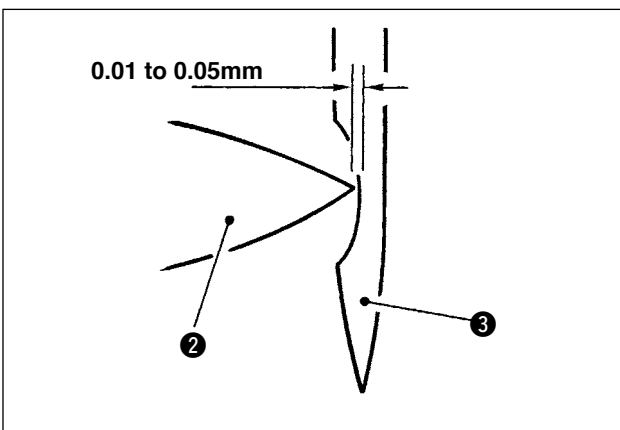
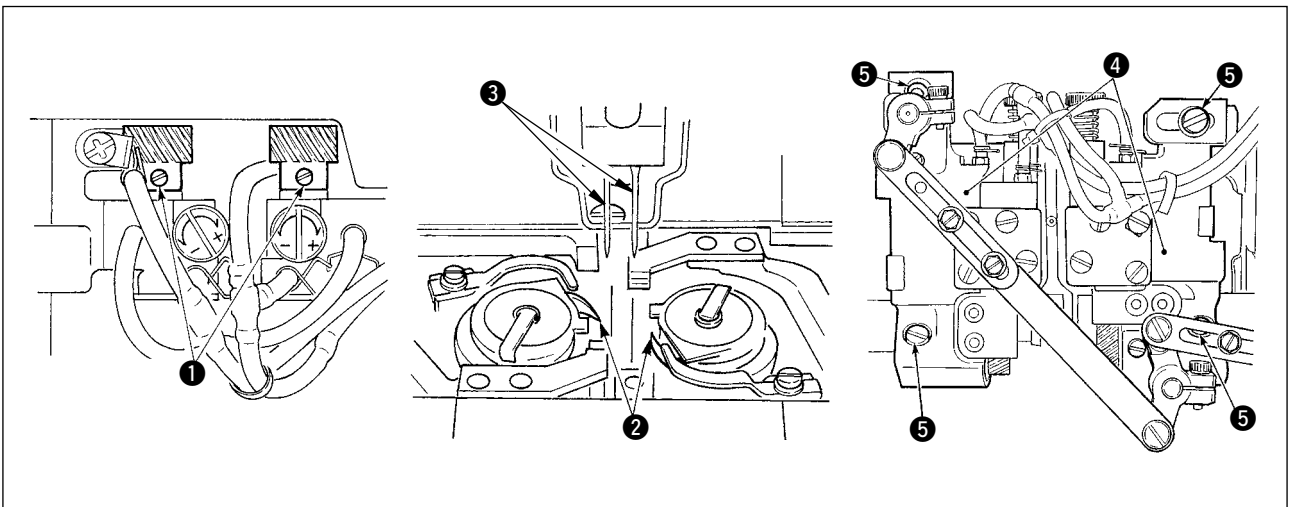
- 1) Set the stitch dial at 2.5 for the S type or 3 for the G type.
- 2) Turn the handwheel to align the blade point of hook with the center of needle when the needle bar goes up by 2.2 mm from the lowest position (lower engraved marker line of the needle bar aligns with the bottom end of the needle bar rocking base). At this time, it is the standard that the distance between the top end of needle eyelet and the blade point of hook becomes 1.2 mm.

- 3) If the needle-to-hook relation is different from the afore-mentioned standard adjustment, remove needle clamp screw ② and turn needle clamp ① by one revolution (the extent of adjustment : 0.6mm). The needle-to-hook relation can also be adjusted by removing screw ④ from the spring shoe and turning spring shoe ③ by a half revolution (the extent of adjustment : 0.3mm).

**[Adjusting procedure for DP X 17(135x17) needle]**

When replacing the needle with DP X 17(135x17), replace needle clamp ①. (Needle clamp for DP X 17(135x17) is an optional part.) Use the same engraved marker line of the needle bar for DPx5(134). Adjusting procedure is the same as that of DPx5(134).

**[Common]**



• Determine the position of the hook.

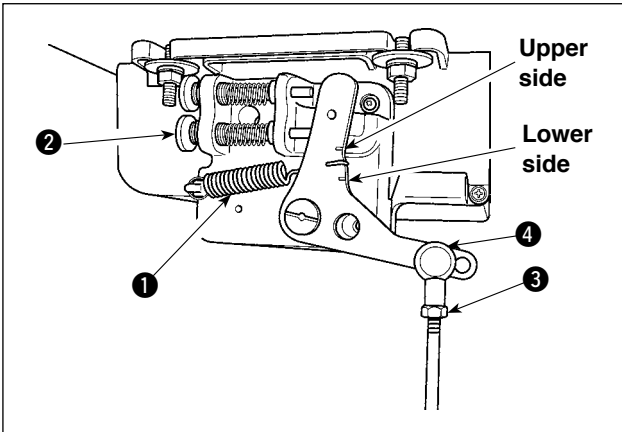
- 1) Loosen three setscrews ① in the screw gear (small), and turn the handwheel to lift the needle bar from its lowest position by 2.2 mm.
- 2) In this state, loosen four setscrews ⑤ in hook driving shaft saddle ④, and move hook driving shaft saddle ④ to the right or left to adjust so that a clearance of 0.01 to 0.05 mm is provided between blade point ② of the hook and needle ③. Then tighten setscrews ⑤.
- 3) Next, in the state described in step 1), align the blade point of hook with the center of needle and tighten setscrews ① in the screw gear (small).

## 4-18. Pedal pressure and pedal stroke



### WARNING :

To protect against possible personal injury due to abrupt start of the machine, be sure to start the following work after turning the power off and ascertaining that the motor is at rest.



### (1) Adjusting the pressure required to depress the front part of the pedal

When the pedal pressure spring ① is hooked to the lower side, the pedal pressure will decrease, and when hooked to the upper side, the pedal pressure will increase.

### (2) Adjusting the pressure required to depress the back part of the pedal

The pressure increases as you turn reverse depressor regulator screw ② in, and decreases as you turn the screw out.

### (3) Adjusting the pedal stroke

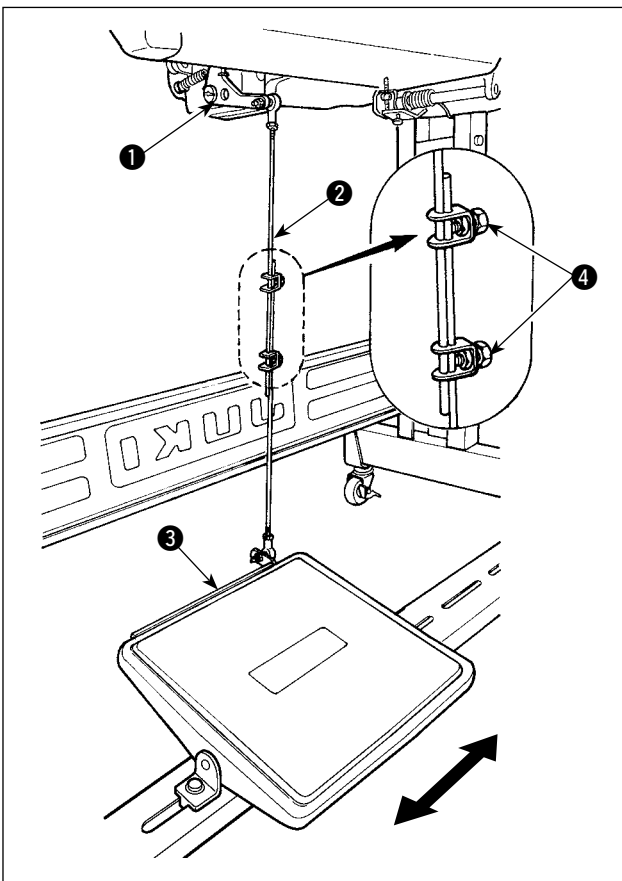
The pedal stroke decreases when you insert connecting rod ③ into the left hole ④.

## 4-19. Adjustment of the pedal



### WARNING :

To protect against possible personal injury due to abrupt start of the machine, be sure to start the following work after turning the power off and ascertaining that the motor is at rest.



### (1) Installing the connecting rod

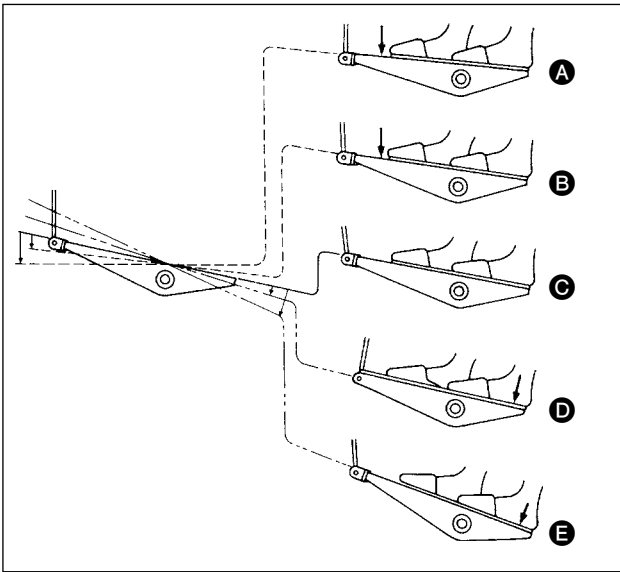
1) Move pedal ③ to the right or left as illustrated by the arrows so that motor control lever ① and connecting rod ② are straightened.

### (2) Adjusting the pedal angle

1) The pedal tilt can be freely adjusted by changing the length of the connecting rod.  
2) Loosen adjust screw ④, and adjust the length of connecting rod ②.

## 5. OPERATION OF THE SEWING MACHINE

### 5-1. Pedal Operation

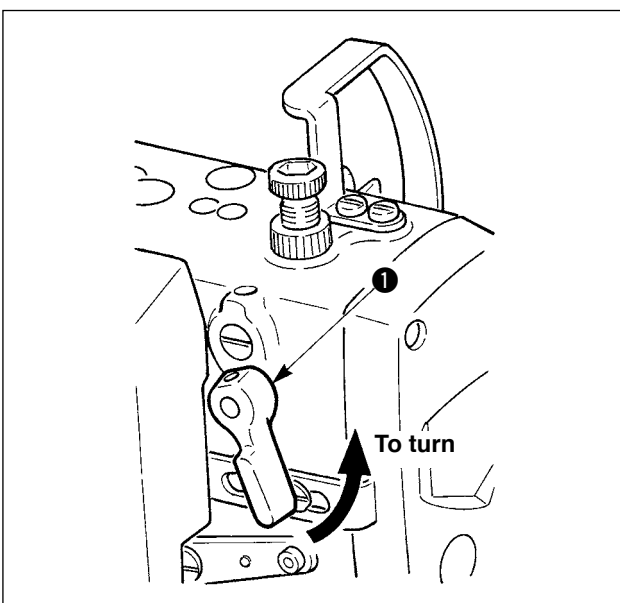


[The pedal is operated in the following four steps: ]

- 1) The machine runs at low sewing speed when you lightly depress the front part of the pedal. **B**
- 2) The machine runs at high sewing speed when you further depress the front part of the pedal. **A**  
(If the automatic reverse feed stitching has been preset, the machine runs at high speed after it completes reverse feed stitching.)
- 3) The machine stops (with its needle up or down) when you reset the pedal to its original position. **C**
- 4) The machine trims threads when you fully depress the back part of the pedal. **E**

- \* When auto-lifter (AK135) is used, 1-step switch is increased between stop and thread trimming. The presser foot goes up when the back part of the pedal is lightly depressed **D**, and the presser foot comes down once when the back part of the pedal is further strongly depressed. Then the thread trimmer is actuated and the presser foot goes up again.
- If you reset the pedal to its neutral position during the automatic reverse feed stitching at seam start, the machine stops after it completes the reverse feed stitching.
- The machine will perform normal thread trimming even if you depress the back part of the pedal immediately following high or low speed sewing.
- The machine will completely perform thread trimming even if you reset the pedal to its neutral position immediately after the machine started thread trimming action.

### 5-2. Hand lifter



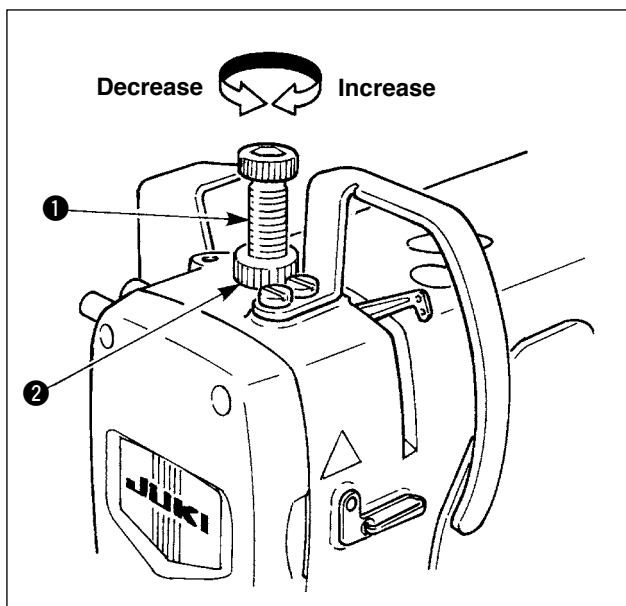
- 1) When you want to keep the presser foot in the lifted position, turn hand lifter **1** in the direction of the arrow. By so doing, the presser foot rise 7 mm.
- 2) When you want to lower the presser foot, lower the hand lifter. This will return the presser foot to its predetermined lower position.
- 3) Operate the knee lifter, and the presser will rise by approximately 13 mm.



**Never perform thread trimming operation with the presser foot lifted since there is a case where the wiper comes in contact with the presser foot and the needle may be broken when the sewing machine is operated with the presser foot lifted.**



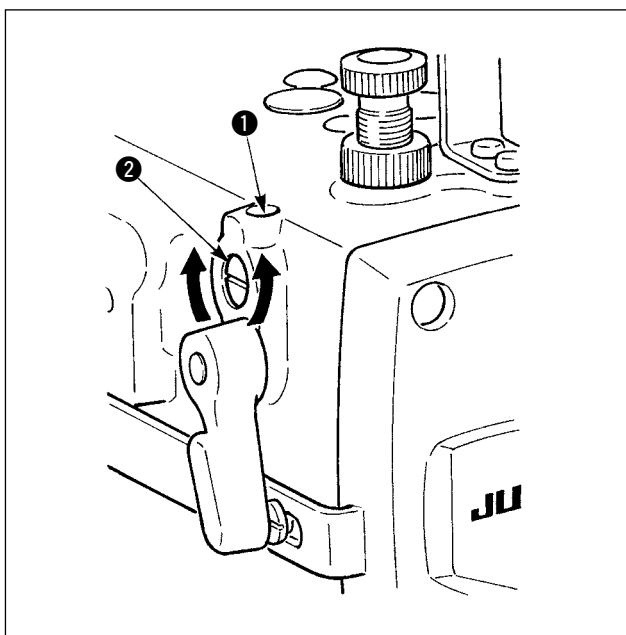
### 5-3. Adjusting the pressure of the presser foot



Loosen nut ② by turning counterclockwise, and turn presser spring regulator ① to adjust the pressure. Turn the regulator clockwise to increase the pressure and turn it counterclockwise to decrease the pressure.

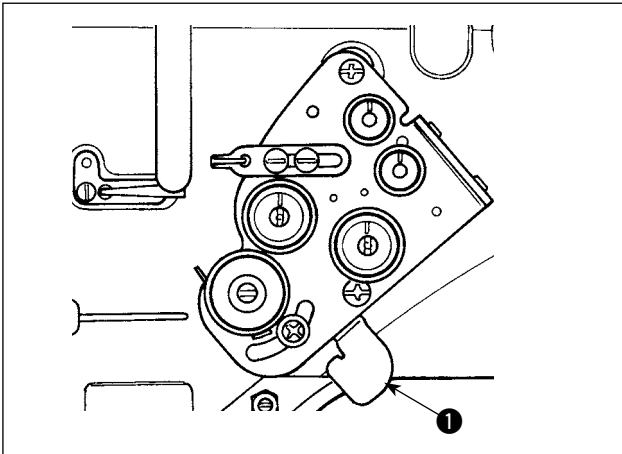
After the adjustment, tighten nut ②.

### 5-4. Micro-lifter

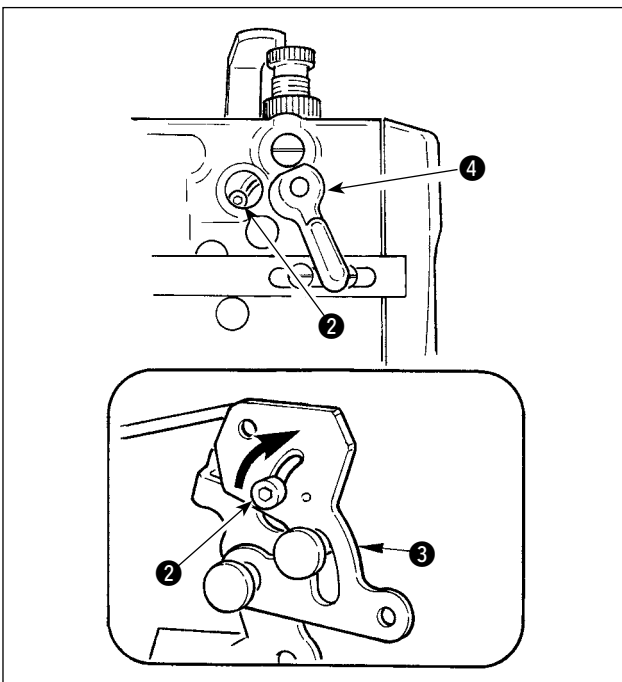


Loosen screw ①, turn micro-lifter pin ②, and the height of the presser foot can be adjusted to 0 to 0.5 mm.

## 5-5. Thread tension release changeover when using the knee lifter



For the LH-3568A, 3568A-7, 3588A and 3588A-7, the thread tension release of the thread tension controller has been factory-interlocked with the knee lifter or AK device at the time of delivery.



- In the case the thread tension release is not interlocked with the knee lifter or AK device

Remove the wiper solenoid in case of the machine with wiper. Remove the cap at the back, loosen screw 2, move screw 2 in the direction of arrow up to the end of slot of lifting link 3, and fix it.

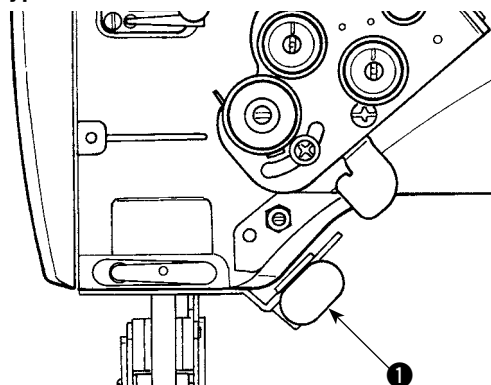
The thread does not slacken unless thread tension release plate 1 or hand lifter lever 4 is actuated.



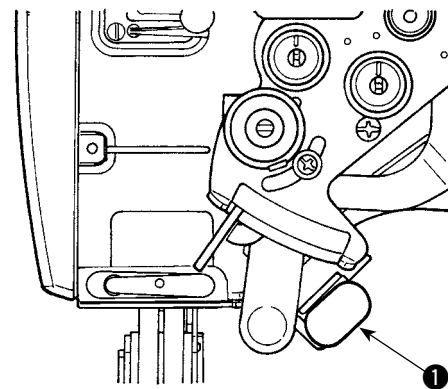
If you start sewing without releasing the thread tension, a load will be applied to the needle when the material is drawn out, resulting in needle bending or breakage.

## 5-6. One-touch manual reverse feed (One-touch reverse feed type)

[LH-3528A, 3528A-7 and 3578A-7]  
0B type



[LH-3568A-7 and 3588A-7]



### • How to use

- 1) Press switch 1, and the sewing machine will immediately run in the reverse direction to perform the reverse feed stitching.
- 2) Reverse stitching is made as long as you keep pressing the switch.
- 3) Release the switch, and the sewing machine will run in the normal direction.

## 6. MAINTENANCE

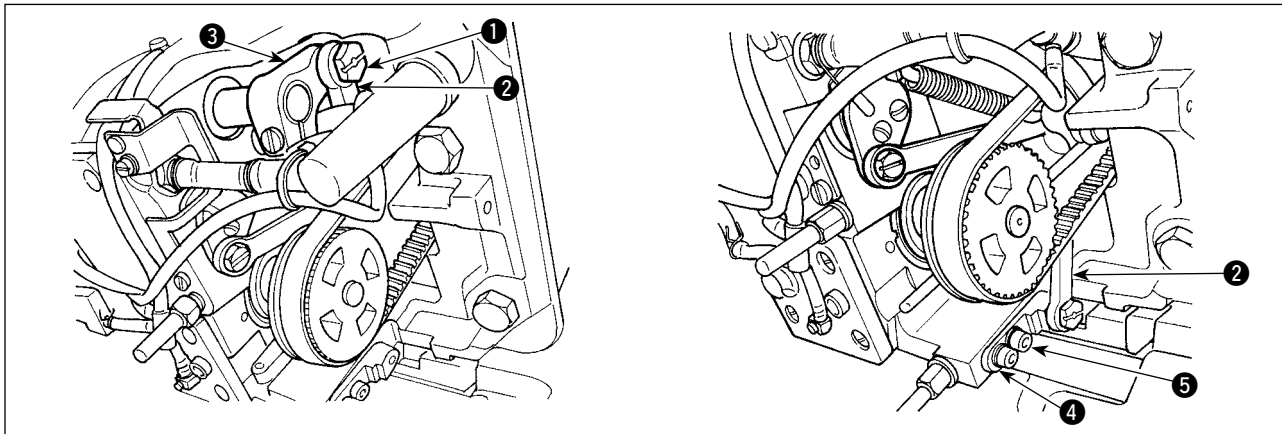
### 6-1. Procedure of changing over between bottom feed and needle feed and the adjustment (for LH-3528A only)



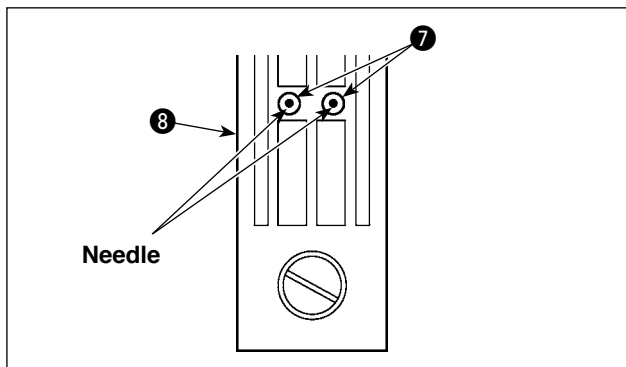
#### WARNING :

To protect against possible personal injury due to abrupt start of the machine, be sure to start the following work after turning the power off and ascertaining that the motor is at rest.

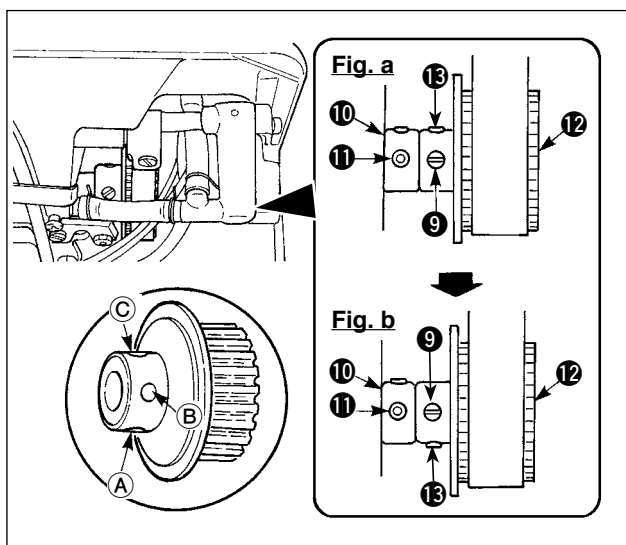
#### (1) Changing procedure to bottom feed and the adjustment



- 1) Set the stitch dial at the minimum value. Then, remove hinge screw ①. Move needle bar rocking rod ② from needle bar rocking rod arm ③ to needle rocking rod fixing base ④ and fix the rod with hinge screw ①.



- 2) After replacing the feed dog and the throat plate with the components for bottom feed, adjust the position of needle rocking rod fixing base ④ so that the needle center aligns with needle holes ⑦ in throat plate ⑧, and fix setscrews ⑤. Then replace the presser foot with that for bottom feed as well.



- 3) Loosen setscrews ⑨ and ⑬ (2 places) in sprocket ⑫. Loosen the setscrews in the order of ⑬ and ⑨. At this time, remove screw No. 1 ⑨ which is put in screw hole (A) in sprocket ⑫, and put it in screw hole (C) which is located on the opposite side at 180°. (Fig. a)  
Turn the pulley by 180° without turning the hook driving shaft, align the flat section of the hook driving shaft with screw hole (C) in sprocket ⑫, and fix with setscrews ⑨. Screw No. 1 ⑪ in the hook driving shaft rear bearing ⑩ aligns with the flat section of the hook driving shaft. Make the state as the standard. (Fig. b)  
Then fix screw No. 2 ⑬ which is put in screw hole (B) in sprocket ⑫ as well.

## **(2) Changing procedure to needle feed and the adjustment**

The procedure is the reverse of "(1) Changing procedure to bottom feed and the adjustment".

Loosen hinge screw ①, move needle bar rocking rod ② from needle rocking rod fixing base ③ to needle bar rocking rod arm ④, and fix it with hinge screw ①.

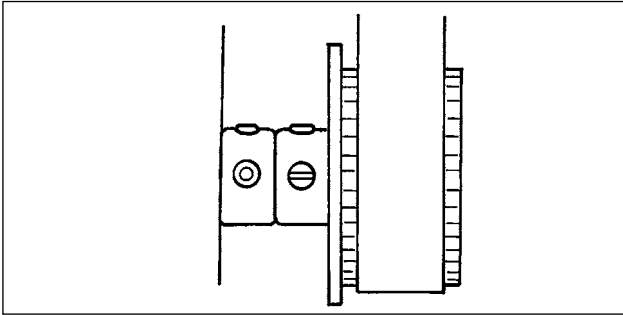
Replace the feed dog, the throat plate and, the presser with the components for needle feed.

Loosen setscrews ⑨ and ⑬(2 places) in sprocket ⑫. Loosen the setscrews in the order of ⑬ and ⑨. At this time, remove the setscrew ⑨ which is put in screw hole ③, and put it in screw hole ① which is located on the opposite side at 180°. (Fig. b)

Turn the pulley by 180° without turning the hook driving shaft, align the flat section of the hook driving shaft with screw hole ① in sprocket ⑫, and fix with setscrews ⑨. It is the standard that screw No. 1 ① in hook driving shaft rear bearing ⑩ aligns with the flat section of the hook driving shaft. (Fig. a)

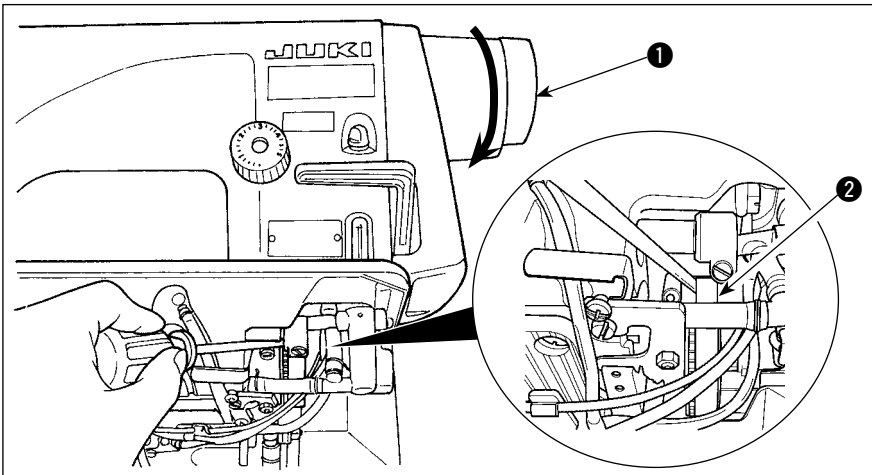
Then fix screw No. 2 ⑬ which is put in screw hole ② in sprocket ⑫ as well.

## 6-2. Changing the feed timing

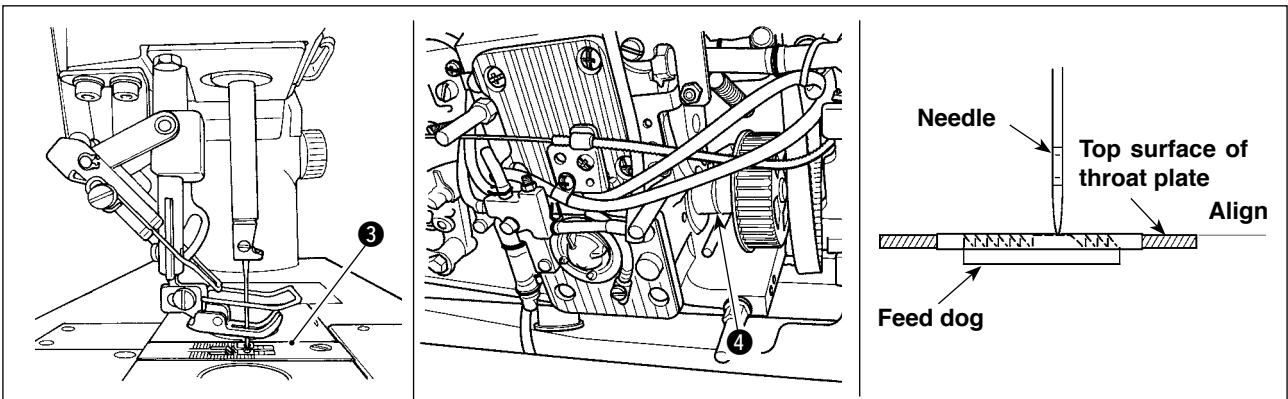


The feed timing has been factory-adjusted as illustrated in the sketch on the left.

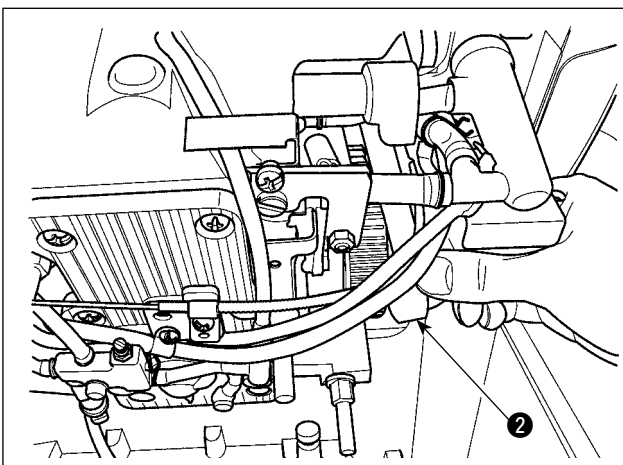
The following describes how to change the feed timing to produce better-tensed seams from the state given in the sketch on the right.



- 1) Turning pulley ①, remove timing belt ② from the pulley.



- 2) Turn pulley ① in the rotating direction of the sewing machine to lower the needle from its upper position until it aligns with throat plate ③.
- 3) Turn hook driving shaft ④ to raise the feed dog from its lower position until it is flush with the top surface of the throat plate.

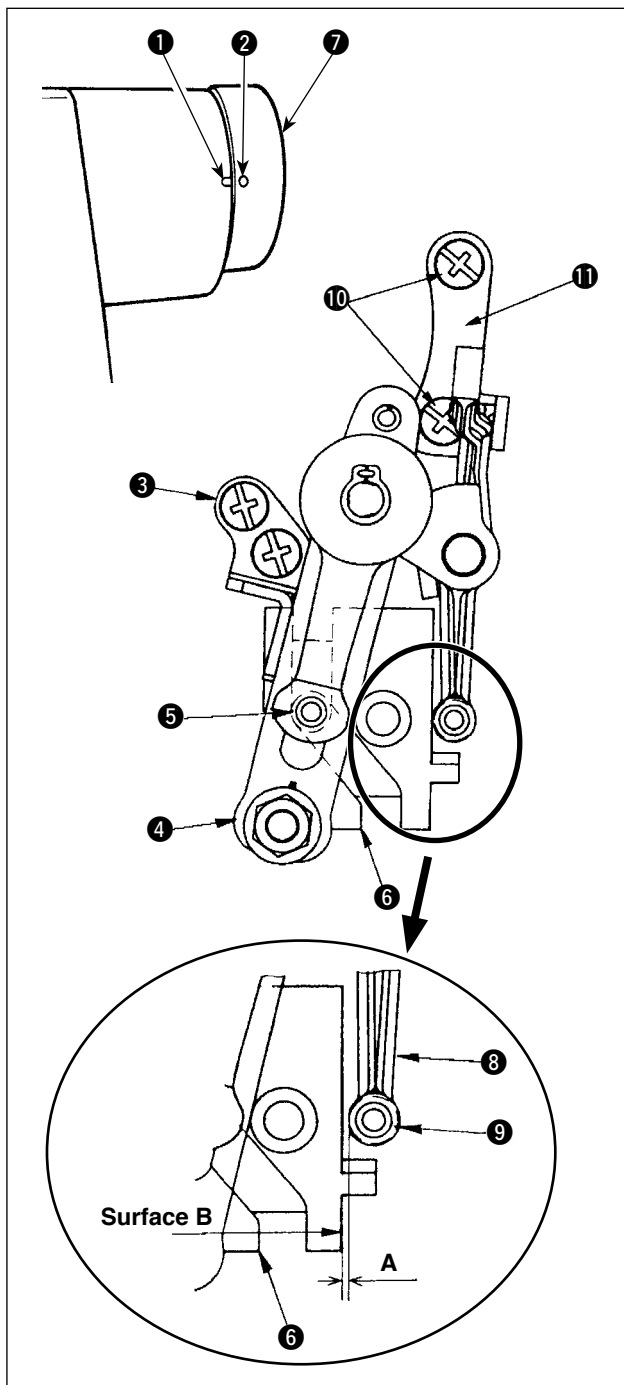


- 4) Carefully keeping the needle and the feed dog in the aforementioned state, put timing belt ② on the pulley.
- 5) Adjust the timing of the right and left hooks and adjust the timing of the thread trimming cam, referring to "4-17. Needle-to-hook relation" p.27 and "6-3. Adjusting the thread trimming cam." p.36.



The hook timing can change by removing/replacing the timing belt, resulting in a stitching failure. To prevent this, be sure to adjust the timing of the hook and thread trimming cam.

### 6-3. Adjusting the thread trimming cam



#### (1) Position of the thread trimming cam and the thread trimming timing

- 1) Align engraved marker dot ① on the arm with engraved marker dot ② (red) on the handwheel.
- 2) When thread trimmer driving arm stopper ③ comes in contact with knife driving arm ④, press cam roller ⑤ into the groove in thread trimming cam ⑥.
- 3) Keeping the aforementioned state, turn thread trimming cam ⑥ until the location as indicated in the sketch on the left is reached. When the thread trimming cam is brought to the location as indicated in the sketch (the intermediate point of the section where the shape of groove in thread trimming cam ⑥ changes from linear shape to diagonal shape), tighten two clamping screws of thread trimming cam ⑥.

[Checking the timing of the thread trimming cam]

- 1) Press cam roller ⑤ into the groove in the cam until it securely fits in there.
- 2) Turn handwheel ⑦ in the opposite direction of the rotating direction of the sewing machine until its smooth move is hindered. At this time, check to be sure that engraved marker dot ① on the arm is aligned with engraved marker dot ② (red) on the handwheel.

#### (2) Clearance between the thread trimming cam and thread tension release arm

- 1) Depress thread tension release arm ⑧.
- 2) At this time, adjust so that clearance A of 0.5 mm is provided between surface B of the right end face of thread trimming cam ⑥ and roller section ⑨ of thread tension release arm ⑧.
- 3) To adjust, loosen two setscrews ⑩, adjust the position of thread tension release driving arm stopper ⑪ so that it is spaced 0.5 mm from surface B, and tighten two setscrews ⑩.

\* In the case the clearance is larger than 0.5 mm:  
The space pin mechanism does not rise enough, resulting in a thread trimming failure.

\* In the case the clearance is smaller than 0.5 mm:

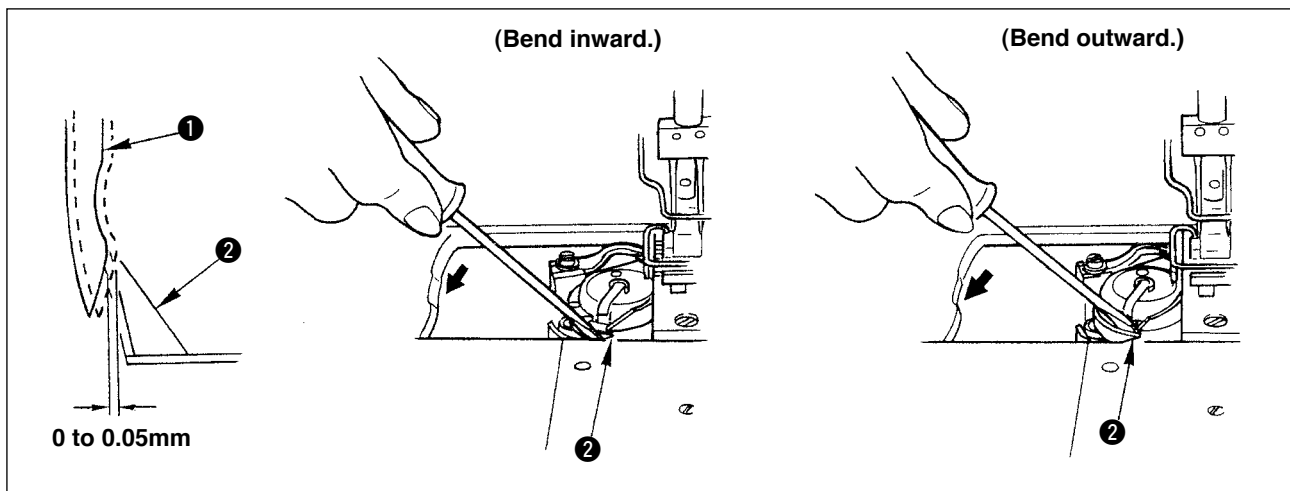
Roller section ⑨ comes in contact with thread trimming cam ⑥ to disable the thread trimmer operation.

## 6-4. Adjusting the hook needle guard



### WARNING :

To protect against possible personal injury due to abrupt start of the machine, be sure to start the following work after turning the power off and ascertaining that the motor is at rest.



When replacing the hook, confirm the position of the needle guard.

The standard position of the hook needle guard is obtained when hook needle guard ② comes in contact with the side face of needle ① and the engagement length between the needle and the hook needle guard is 0 to 0.05 mm. If not, adjust by bending the hook needle guard.

- 1) When bending the hook needle guard inward, perform by entering a screwdriver to the outside of the hook needle guard.
- 2) When bending the hook needle guard outward, perform by entering a screwdriver to the inside of the hook needle guard.

At this time, confirm that the clearance between the needle and the blade point of hook is 0.01 to 0.05 mm.

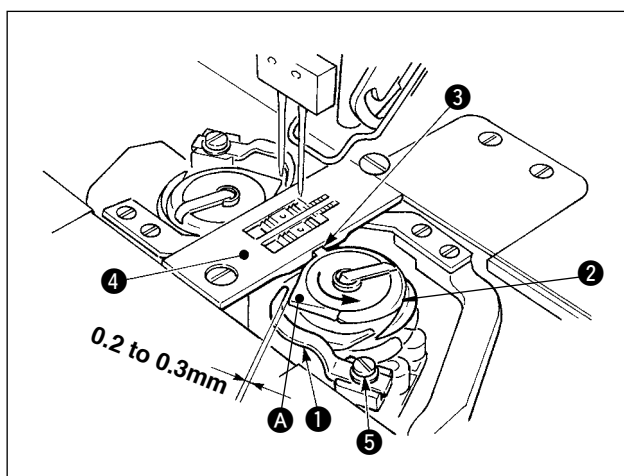
(Refer to "4-17. Needle-to-hook relation [common]", p. 28.)

## 6-5. Adjusting the inner hook guide



### WARNING :

To protect against possible personal injury due to abrupt start of the machine, be sure to start the following work after turning the power off and ascertaining that the motor is at rest.



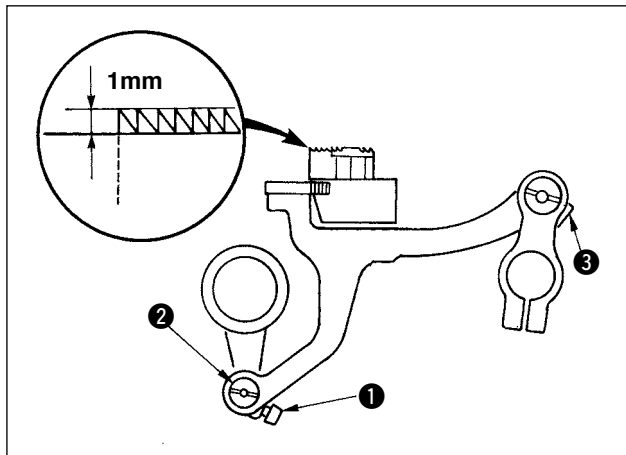
- 1) Turn the handwheel in the normal direction to bring inner hook guide ① to the extreme rear position.
- 2) Turn bobbin case ② in the direction of the arrow, and make inner hook stopper ③ come in contact with the groove of throat plate ④.
- 3) Loosen inner hook guide setscrew ⑤, set the clearance between the inner hook guide and protrusion A of the bobbin case to 0.2 to 0.3 mm, and securely tighten inner hook guide setscrew ⑤.

## 6-6. Adjusting the height and the inclination of the feed dog



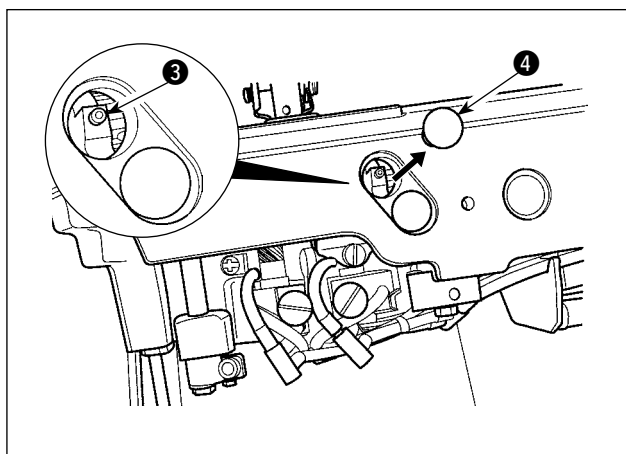
### WARNING :

To protect against possible personal injury due to abrupt start of the machine, be sure to start the following work after turning the power off and ascertaining that the motor is at rest.



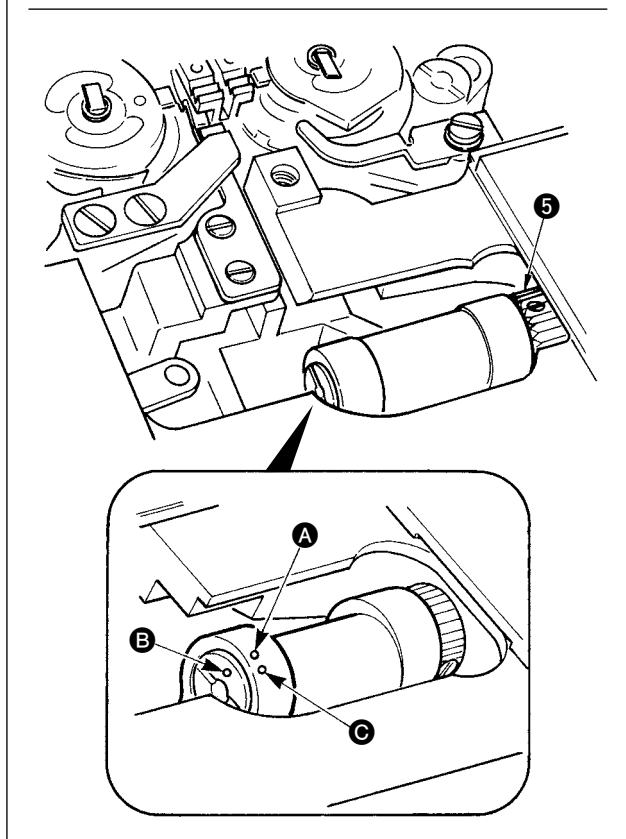
### (1) Adjusting the height

- 1) Loosen feed driving link setscrew **1**. Turn feed driving link shaft **2** to adjust the height of the feed dog. Standard height is 1 mm from the throat plate in the highest position.



### (2) Inclination

- 1) Remove cap **4** on the side of machine bed, loosen feed bar shaft setscrew **3**, and turn knurled section **5** to adjust the inclination. Standard inclination is the position where engraved marker dot **A** of feed bar arm aligns with engraved marker dot **B** of feed bar shaft. (Engraved marker dot **C** is not used.)



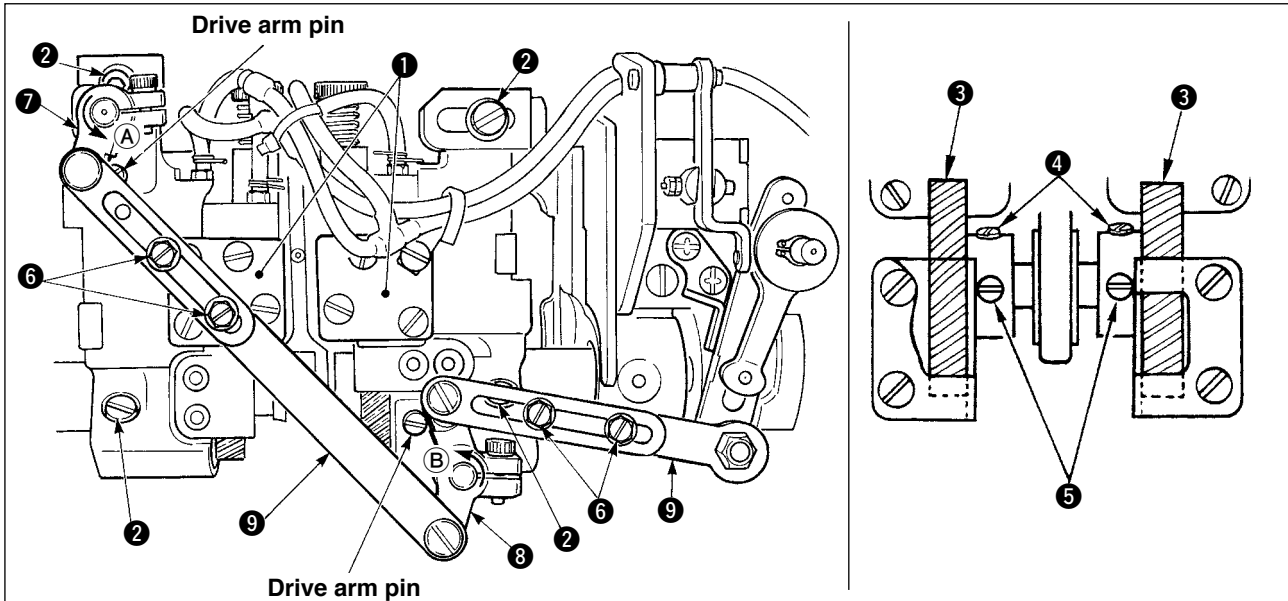


## 6-7. Replacing the gauge



### WARNING :

To protect against possible personal injury due to abrupt start of the machine, be sure to start the following work after turning the power off and ascertaining that the motor is at rest.



### • Move of the hook shaft saddle when replacing the gauge

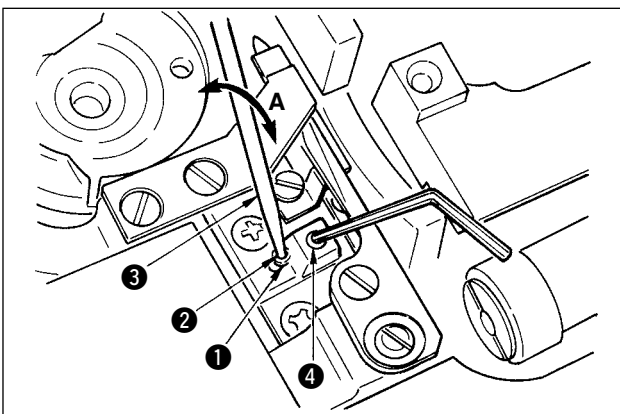
- 1) Loosen screws No. 2 (4) of hook driving shaft gears (3).
- 2) Align the needle with the blade point of hook.
- 3) Slightly loosen screws No. 1 (5) of hook driving shaft gears (3) so that the screws does not come off the flat section of the hook driving shaft.
- Loosen four setscrews (6) of connecting link (asm.) (9). (Sewing machine with thread trimmer)
- 4) Loosen two setscrews (2) of hook shaft saddle (1), and move the hook shaft saddle.  
(At this time, the hook driving shaft gears move as well.)
- 5) Set the clearance between the needle and the blade point of hook to 0.01 to 0.05 mm.
- 6) Tighten two setscrews (2) of the hook shaft saddle.
- 7) Tighten from screws No. 1 (5) at the position where the clearance between hook driving shaft gears (3) and hook shaft saddles (1) is 0.5 mm. Then tighten screws No. 2 (4).
- Make driving arms (7) and (8) come in contact with the driving arm pin in the directions of (A) and (B) respectively and tighten four setscrews (6) in connecting link (asm.) (9). (Sewing machine with thread trimmer)

## 6-8. Adjusting the thread presser spring



### WARNING :

To protect against possible personal injury due to abrupt start of the machine, be sure to start the following work after turning the power off and ascertaining that the motor is at rest.



Insert a rod (thin rod, wrench, etc.) into adjusting hole (2) in thread presser spring base (1), and loosen setscrew (4) with a hexagonal wrench key of 1.5 mm. Adjust the thread presser spring by moving rod (3) in the direction of arrow mark A, and fix it with setscrew (4).



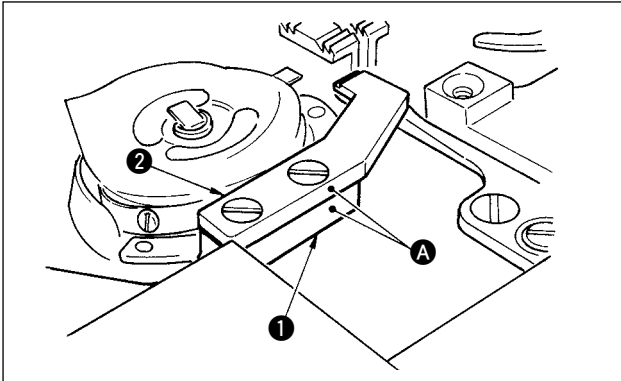
Clamp trouble occurs even when the thread presser spring pressure is excessive or insufficient. So, be careful.

## 6-9. Adjusting the position of the moving knife

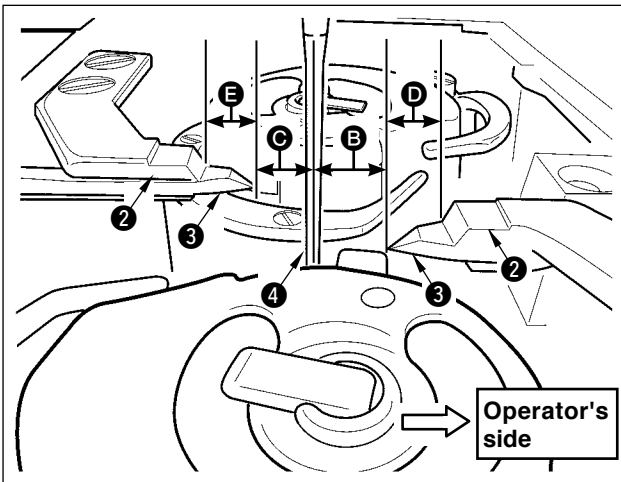


### WARNING :

To protect against possible personal injury due to abrupt start of the machine, be sure to start the following work after turning the power off and ascertaining that the motor is at rest.

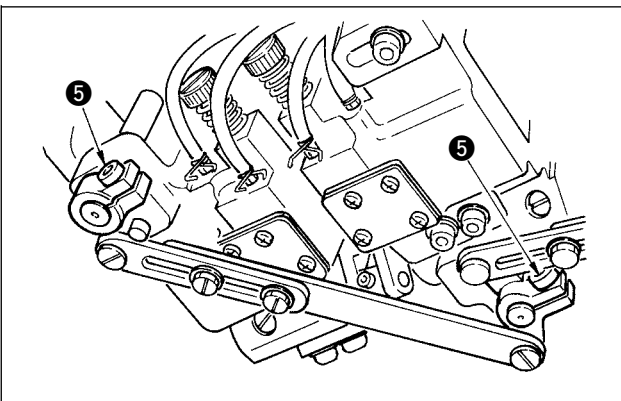


- 1) Align counter knife base **1** with plane **A** of counter knife **2**.

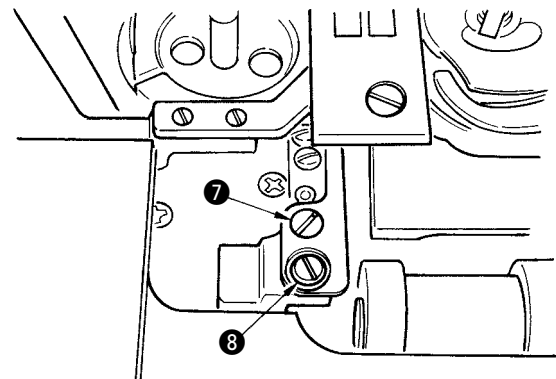
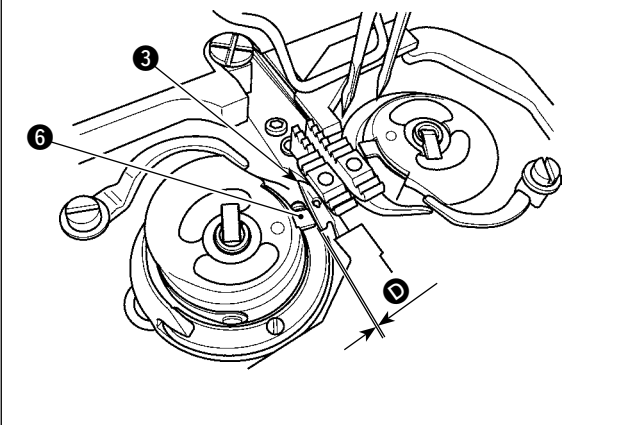


- 2) Loosen clamp screw **5** in the rear of machine bed and adjust so that the distances **B** and **C** between the top end of moving knife **3** and the center of needle **4** at the time of waiting become the dimensions as shown in the list below when the feed pitch is minimum and needle **4** is in the lower dead point.

	Left knife		Right knife	
	<b>B</b>	<b>D</b> Reference value)	<b>C</b>	<b>E</b> Reference value)
LH-3528A-7	6.2	(3.5)	7.5	(2.7)
LH-3568A-7				
LH-3578A-7	7.3	(4.1)	8.9	(3.1)
LH-3588A-7				



- 3) Set clearance **D** between moving knife **3** and protrusion **6** of the inner hook to  $0.3 \pm 0.1$  mm. Loosen moving knife setscrews **7** and **8**, and adjust the clearance.

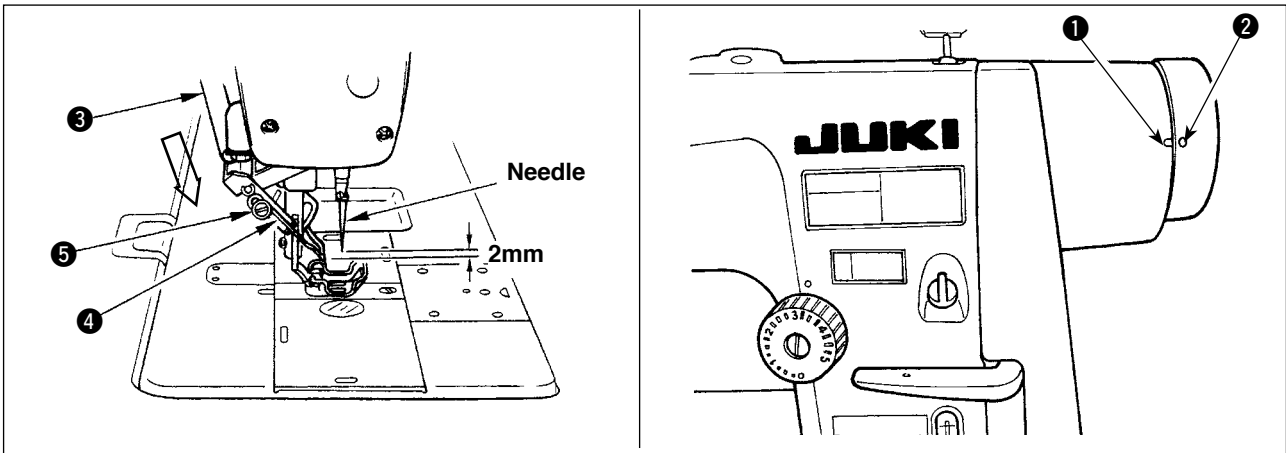


## 6-10. Position of the wiper



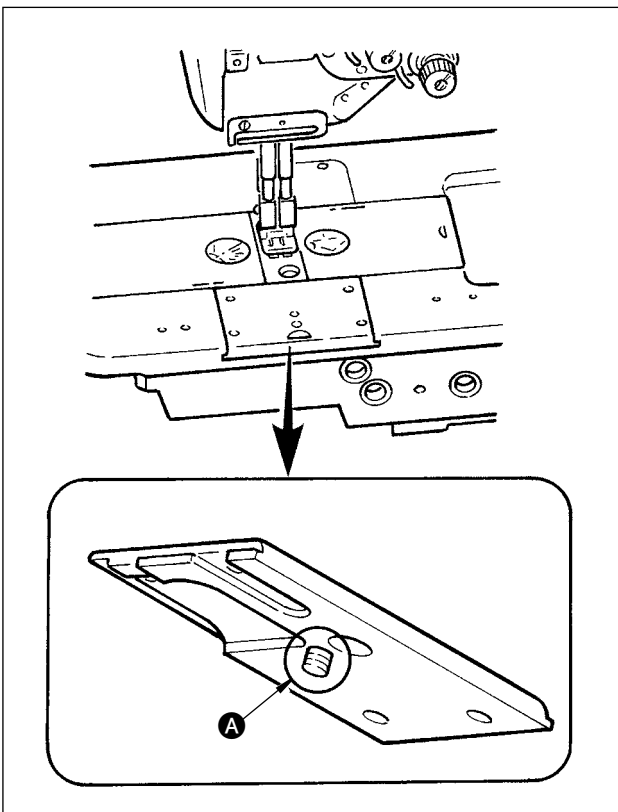
### WARNING :

To protect against possible personal injury due to abrupt start of the machine, be sure to start the following work after turning the power off and ascertaining that the motor is at rest.



- 1) Adjust engraved marker dot ① on the machine arm to white marker dot ② on the handwheel.
- 2) Move rod ③ in the direction of the arrow, and adjust with two clamping screws ⑤ so that the clearance between the top end of needle and wiper ④ is approximately 2 mm.

## 6-11. Caution when installing the attachments

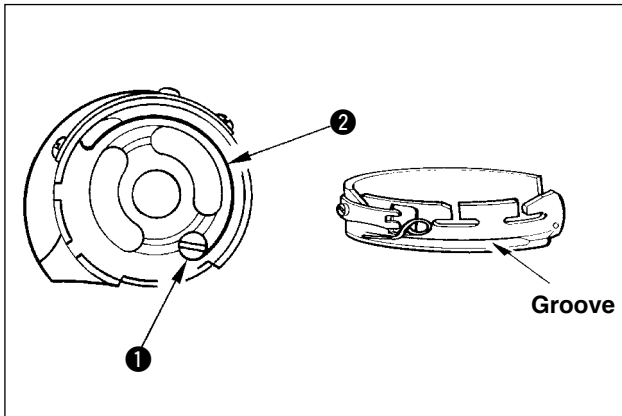


Be careful that screw A does not protrude in the rear of the bed slide when fixing the attachment to the bed slide with the screw.



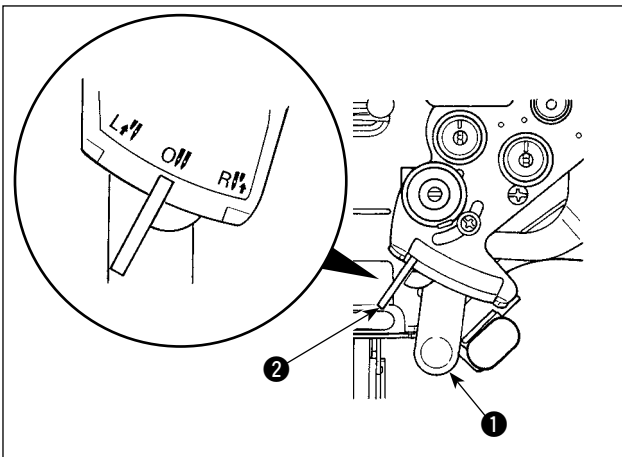
When it protrudes as shown in the figure, the screw interferes with other components and break-down will be caused.

## 6-12. Replacing the bobbin thread slack preventer spring (For LH-3568A, 3568A-7, 3588A and 3588A-7)



- 1) Loosen screw ① and remove bobbin thread slack preventer spring ② from the groove on the bobbin case.
- 2) Fit bobbin thread slack preventer spring ② which replaces the removed spring in the bobbin case through the groove.
- 3) Fix bobbin thread slack preventer spring ② in the bobbin case by tighten screw ①. At this time, carefully check the operating range and tension or the spring.

## 6-13. Stop of the needle bars and angle of corners for corners stitching (For LH-3568A, 3568A-7, 3588A and 3588A-7)



### • Stop of the needle bar

When change lever ① is moved to position L, the left-hand needle bar stops, and when it is moved to position R, the right-hand needle bar stops.

### • When returning to 2-needle operation

Press change fixing lever ②. Change lever ① returns to the position "0", and the machine returns to 2-needle sewing.

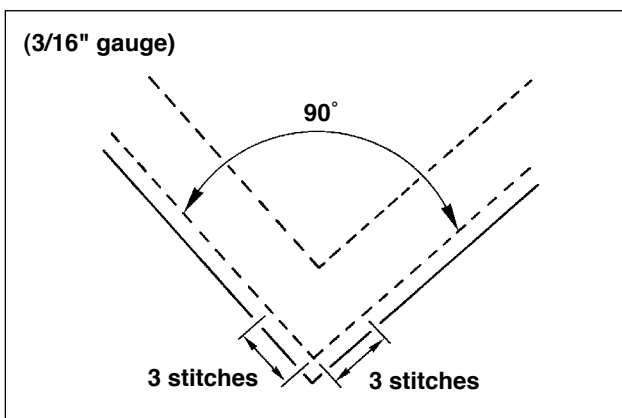
### • Relation between the angle of corners and stitch length

To perform corner stitching with accuracy, the stitch length can be determined referring to the table of the number of stitches by gauges.

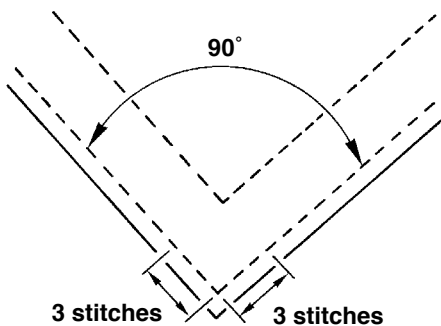
However, check whether the stitch length determined really matches the corner by actually sewing it.

(Example)

To sew a corner of 90° of angle using a 3/16" gauge with the stitch length specified to 1.6mm, the number of stitches can be obtained in the following way. Observe the "90°" columns on the table of the number of stitches by stitch length gauges to search for the column in which "1.6" is indicated. Then, you can find "3" on the top of the "1.6" lines. This means the number of stitches is 3.



(3/16" gauge)



- If sewing a corner of which angle is 40° or less, the thread take-up amount of the bobbin thread slack preventer spring will be insufficient. In this case, the thread will remain on the wrong side of the material.



- When performing the operation of changeover of separately driven needle bar, perform the work after stopping the sewing machine once.

When the operation of changeover is performed at 1,000 sti/min or more, break-down will be caused.)

- When the sewing machine is used as the substitute for 1-needle sewing machine in the state of separately driven needle bar, break-down of the sewing machine will be caused. When performing sewing with 1-needle sewing machine, remove one of two needles and use the sewing machine in the state that two needle bars operate.

## 7. STITCH-TO-ANGLE TABLE BY GAUGE (PITCH AND mm CONVERSION TABLE)

1/8"(3.17mm)

Turning angle \ Number of stitches	1	2	3	4	5	6	7	8	9
40		4.4	2.9	2.2	1.7	1.5			
50		3.4	2.3	1.7					
60		2.7	1.8						
70	4.5	2.3	1.5						
80	3.8	1.9							
90	3.2	1.6							
100	2.6								

5/32"(3.96mm)

Turning angle \ Number of stitches	1	2	3	4	5	6	7	8	9
40			3.6	2.7	2.2	1.8	1.6		
50		4.2	2.8	2.1	1.7				
60		3.4	2.3	1.7					
70		2.8	1.9						
80	4.7	2.4	1.6						
90	4.0	2.0							
100	3.3	1.7							

3/16"(4.76mm)

Turning angle \ Number of stitches	1	2	3	4	5	6	7	8	9
40				3.3	2.6	2.2	1.9	1.6	1.5
50			3.4	2.6	2.0	1.7	1.5		
60			2.7	2.1	1.6	1.4			
70		3.4	2.3	1.7	1.4				
80		2.8	1.9	1.4					
90	4.8	2.4	1.6						
100	4.0	2.0							

7/32"(5.56mm)

Turning angle \ Number of stitches	1	2	3	4	5	6	7	8	9
40			5.1	3.8	3.1	2.5	2.2	1.9	1.7
50			4.0	3.0	2.4	2.0	1.7	1.5	
60		4.8	3.2	2.4	1.9	1.6			
70		4.6	2.6	2.0	1.6				
80		3.3	2.2	1.7					
90	5.6	2.8	1.9	1.4					
100	4.7	2.3	1.6						

1/4"(6.35mm)

Turning angle \ Number of stitches	1	2	3	4	5	6	7	8	9
40				4.4	3.5	2.9	2.5	2.2	2.0
50			4.6	3.4	2.8	2.3	2.0	1.7	1.6
60			3.7	2.8	2.2	1.9	1.6		
70		4.6	3.1	2.3	1.9	1.6			
80		3.8	2.6	1.9	1.6				
90		3.2	2.2	1.6					
100		2.7	1.8						

9/32"(7.14mm)

Turning angle \ Number of stitches	1	2	3	4	5	6	7	8	9
40				4.9	3.9	3.3	2.8	2.5	2.2
50			5.1	3.8	3.1	2.6	2.2	1.9	1.7
60			4.1	3.1	2.5	2.1	1.8	1.5	
70		5.1	3.4	2.5	2.0	1.7	1.5		
80		4.3	2.8	2.1	1.7	1.4			
90		3.6	2.4	1.8	1.4				
100		3.0	2.0	1.5					

5/16"(7.93mm)

Turning angle \ Number of stitches	1	2	3	4	5	6	7	8	9
40					4.4	3.7	3.2	2.8	2.5
50				4.3	3.4	2.9	2.5	2.2	1.9
60			4.6	3.5	2.8	2.3	2.0	1.8	1.6
70			3.8	2.9	2.3	1.9	1.7	1.5	
80		4.8	3.2	2.4	1.9	1.6			
90		4.0	2.7	2.0	1.6				
100		3.4	2.3	1.7					

3/8"(9.52mm)


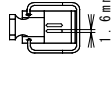
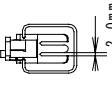
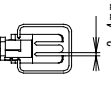
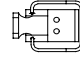
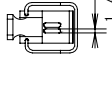
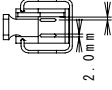
Turning angle \ Number of stitches	1	2	3	4	5	6	7	8	9
40						4.4	3.7	3.3	2.9
50					4.1	3.4	2.9	2.6	2.3
60				4.1	3.3	2.7	2.4	2.1	1.8
70			4.5	3.4	2.7	2.3	1.9	1.7	
80			3.8	2.8	2.3	1.9	1.6		
90		4.8	3.2	2.4	1.9	1.6			
100		4.0	2.7	2.0	1.6				

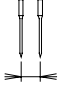
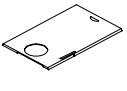
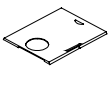

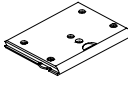
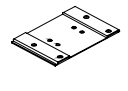
1/2"(12.7mm)


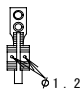
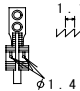
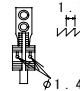
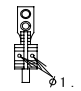
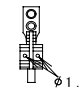
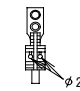
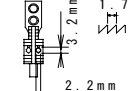
Turning angle \ Number of stitches	1	2	3	4	5	6	7	8	9
40						5.8	5.0	4.4	3.9
50					5.5	4.5	3.9	3.4	3.0
60				5.5	4.4	3.7	3.1	2.8	2.4
70				4.5	3.6	3.0	2.6	2.3	2.0
80			5.1	3.8	3.1	2.5	2.2	1.9	1.7
90			4.2	3.2	2.5	2.1	1.8	1.6	1.4
100		5.3	3.6	2.7	2.1	1.8	1.5	1.3	


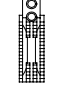
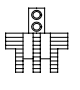
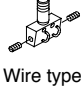
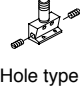
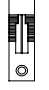
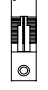
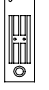
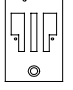
## 8. GAUGE SETS

### (1) LH-3528A



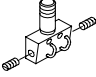
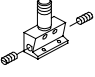
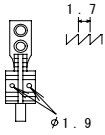
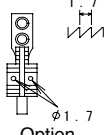
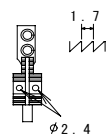
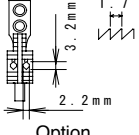
Needle gauge size			Presser foot asm.					Swivel guide Presser foot asm.	
Code				Tip-divided 	Tip-divided 	Lower feed 			
	inch	mm	Part No.	Part No.	Part No.	Part No.	Part No.	Part No.	
A	3/32	2.4	226-37557	—	—	—	—	—	
B	1/8	3.2	226-37656	400-35896	400-35896	103-91852	226-27152	226-47051	
C	5/32	4.0	226-37755	400-35897	400-71909	—	—	—	
D	3/16	4.8	226-37854	226-40353	228-16557	103-92058	226-27350	226-47150 * 400-95293	
E	7/32	5.6	—	226-40452	228-16656	—	226-27459	226-47259	
F	1/4	6.4	226-38050	226-40551	228-16755	103-92256	226-27558	226-47358 * 400-94776	
G	9/32	7.1	226-38258	226-40759	228-16854	—	226-27657	226-47457	
H	5/16	7.9	226-38357	226-40858	228-16953	—	226-27756	226-47556	
K	3/8	9.5	226-38456	226-40957	228-17050	—	—	—	
W	7/16	11.1	—	226-41054	400-33941	—	—	—	
L	1/2	12.7	226-38753	226-41252	228-17159	103-92751	—	—	
M	5/8	15.9	—	226-41351	400-33945	—	—	—	
N	3/4	19.1	226-38951	226-41450	400-33947	103-93056	—	—	
P	7/8	22.2	226-39157	226-41658	400-33949	228-44450	—	—	
Q	1	25.4	226-39256	226-41757	400-33951	228-44559	—	—	
R	1-1/8	28.6	226-39355	226-41856	400-33953	—	—	—	
S	1-1/4	31.8	226-39454	226-41955	400-33955	—	—	—	
T	1-3/8	34.9	—	226-42052	400-33957	—	—	—	
U	1-1/2	38.1	—	226-42151	400-33959	—	—	—	
Stitch spec.	A		★						
	F						★	★ (Tape attaching)	
	S			★					
	G				★			* only ★	
	Lower feed					★			


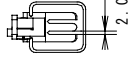
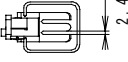
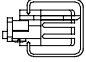


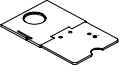
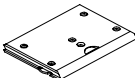
Needle gauge size			Sliding plate asm. (Left)	Sliding plate asm. (Right)	Sliding plate asm. (Left)	Sliding plate asm. (Front)	
Code							
	inch	mm	Part No.	Part No.	Part No.	Part No.	Part No.
A	3/32	2.4	226-01058	226-00555	400-51633	400-42874	232-06709
B	1/8	3.2					
C	5/32	4.0					
D	3/16	4.8					
E	7/32	5.6					
F	1/4	6.4					
G	9/32	7.1					
H	5/16	7.9					
K	3/8	9.5					
W	7/16	11.1					
L	1/2	12.7	226-01157	226-00654	400-45729	400-42874	232-06709
M	5/8	15.9					
N	3/4	19.1					
P	7/8	22.2					
Q	1	25.4	226-01256	226-00753	400-45730	400-42874	232-06709
R	1-1/8	28.6					
S	1-1/4	31.8					
T	1-3/8	34.9	226-01355	226-00852	400-45731	400-42874	232-06709
U	1-1/2	38.1					
Stitch spec.	A		Spec. common	Spec. common	Spec. common	Spec. common	★ (Tape attaching)
	F						
	S						
	G						
	Lower feed						

Needle gauze size			Feed dog						
Code									
	inch	mm	Part No.	Option Part No.	Part No.	Part No.	Option Part No.	Part No.	Option Part No.
A	3/32	2.4	400-33714	—	—	—	—	—	—
B	1/8	3.2	400-33715	400-35883	400-33563	—	400-33563	B1613-512-B0H	—
C	5/32	4.0	400-33716	—	—	226-30206	400-25784	B1613-512-C0H	—
D	3/16	4.8	400-33718	400-35884	400-33564	226-30404	400-25785	B1613-512-D0H	400-25801
E	7/32	5.6	—	400-35885	400-33565	226-30503	400-25786	B1613-512-E0H	400-25802
F	1/4	6.4	400-33720	400-35886	400-33566	226-30602	400-25787	B1613-512-F0H	400-25803
G	9/32	7.1	400-33722	400-35887	400-33567	226-30800	400-25788	B1613-512-G0H	400-25804
H	5/16	7.9	400-33723	400-35888	400-33568	226-30909	400-25789	B1613-512-H0H	400-25805
K	3/8	9.5	400-33724	—	—	226-31006	400-25790	B1613-512-K0H	400-25806
W	7/16	11.1	—	—	—	226-31105	400-25791	400-75311	400-25807
L	1/2	12.7	400-33727	—	—	226-31303	400-25792	B1613-512-L0H	400-25808
M	5/8	15.9	—	—	—	226-31402	400-25793	B1613-512-M0H	400-25809
N	3/4	19.1	400-33729	—	—	226-31501	400-25794	B1613-512-N0H	400-25810
P	7/8	22.2	400-33731	—	—	226-31709	400-25795	B1613-512-P0H	400-25811
Q	1	25.4	400-33732	—	—	226-31808	400-25796	B1613-512-Q0H	400-25812
R	1-1/8	28.6	400-33733	—	—	226-31907	400-25797	B1613-512-R0H	400-25813
S	1-1/4	31.8	400-33734	—	—	226-32004	400-25798	B1613-512-S0H	400-25814
T	1-3/8	34.9	—	—	—	226-32103	400-25799	B1613-512-T0H	400-25815
U	1-1/2	38.1	—	—	—	226-32202	400-25800	B1613-512-U0H	400-25816
Stitch spec.	A		★						
	F			★		★			
	S						★		
	G							★	★

Needle gauze size			Feed dog (Lower feed)		Needle clamp asm.		Throat Plate	Throat Plate (with taping)	Throat Plate (Lower feed)	
Code										
	inch	mm	Part No.	Part No.	Part No.	Part No.	Part No.	Part No.	Part No.	Part No.
A	3/32	2.4	—	—	400-35875	101-47551	226-25008	—	—	—
B	1/8	3.2	232-05107	—	400-26027	101-47650	226-25107	226-28002	228-45200	—
C	5/32	4.0	—	—	400-26029	101-47759	226-25206	226-28101	—	—
D	3/16	4.8	232-05305	—	101-47858	101-47858	226-25305 *400-95288	226-28200	228-45408	—
E	7/32	5.6	—	—	400-26033	101-47957	226-25404	226-28309	—	—
F	1/4	6.4	232-05503	—	101-48054	101-48054	226-25503 *400-94772	226-28408	228-45606	—
G	9/32	7.1	—	—	400-26037	101-48153	226-25602	226-28507	—	—
H	5/16	7.9	—	—	101-48252	101-48252	226-25701	226-28606	—	—
K	3/8	9.5	—	—	101-48351	101-48351	226-25800	—	—	—
W	7/16	11.1	—	—	400-26043	101-48450	226-25909	—	—	—
L	1/2	12.7	400-62249	228-48105	400-26045	101-48559	226-26006	—	—	400-62254
M	5/8	15.9	—	—	400-26047	101-48658	226-26105	—	—	—
N	3/4	19.1	400-62251	228-48303	400-26049	101-48757	226-26204	—	—	400-62256
P	7/8	22.2	400-62252	228-48402	400-26051	101-48856	226-26303	—	—	400-62257
Q	1	25.4	400-62253	228-48501	101-48955	101-48955	226-26402	—	—	400-62258
R	1-1/8	28.6	—	—	400-26055	101-49052	226-26501	—	—	—
S	1-1/4	31.8	—	—	400-26057	101-49151	226-26600	—	—	—
T	1-3/8	34.9	—	—	400-26059	101-49250	226-26709	—	—	—
U	1-1/2	38.1	—	—	400-26061	101-49359	226-26808	—	—	—
Stitch spec.	A				★		★	Spec. common		
	F									
	S					★				
	G						*only★			
Lower feed			★	★					★	★



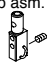




(2) LH-3528A-7


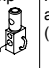
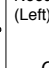

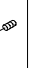

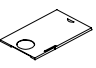
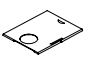
Needle gauze size		Throat Plate	Needle clamp asm.		Feed dog				
Code									
	inch	mm	Part No.	Part No.	Part No.	Part No.	Part No.	Part No.	Part No.
A	3/32	2.4	—	400-35875	101-47551	—	—	—	—
B	1/8	3.2	400-35881	400-26027	101-47650	400-61270	400-35890	400-53705	400-53705
C	5/32	4.0	400-25485	400-26029	101-47759	400-61271	400-25817	400-71911	—
D	3/16	4.8	400-25490 ※400-95289	101-47858	101-47858	400-61272	400-25818	400-35891	400-25831
E	7/32	5.6	400-25491	400-26033	101-47957	400-61273	400-25819	400-50009	400-25832
F	1/4	6.4	400-25492 ※400-94773	101-48054	101-48054	400-61274	400-26715	400-35892	400-25833
G	9/32	7.1	400-25493	400-26037	101-48153	400-61275	400-25820	400-50010	400-25834
H	5/16	7.9	400-25494	—	101-48252	400-61276	400-25821	400-50011	400-25835
K	3/8	9.5	400-25495	101-48351	101-48351	400-61277	400-25822	400-35893	400-25836
W	7/16	11.1	400-25496	400-26043	101-48450	—	400-25823	—	400-25837
L	1/2	12.7	400-25498	400-26045	101-48559	400-61278	400-25824	400-35894	400-25838
M	5/8	15.9	400-25499	400-26047	101-48658	400-61279	400-25825	400-71912	400-25839
N	3/4	19.1	400-25500	400-26049	101-48757	400-61280	400-25826	400-35895	400-25840
P	7/8	22.2	400-25502	400-26051	101-48856	400-61281	400-25827	400-71913	400-25841
Q	1	25.4	400-25503	—	101-48955	400-61282	400-25828	400-71914	400-25842
R	1-1/8	28.6	400-25504	400-26055	101-49052	400-61283	400-25829	400-71915	400-25843
S	1-1/4	31.8	400-25505	400-26057	101-49151	400-61284	400-25830	400-71916	400-25844
T	1-3/8	34.9	—	400-26059	101-49250	—	—	—	—
U	1-1/2	38.1	—	400-26061	101-49359	—	—	—	—
Stitch spec.	A			★					
	F			★					
	S		★		★	★	★		
	G		※ only ★		★			★	★



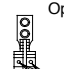
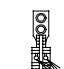
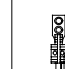
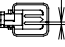

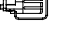
Needle gauze size		Presser foot asm.		Swivel guide Presser foot asm.	Sliding plate asm. (Left)	Sliding plate asm. (Right)	Sliding plate asm. (Left)	Sliding plate asm. (Front)	
Code									
	inch	mm	Part No.	Part No.	Part No.	Part No.	Part No.	Part No.	Part No.
B	1/8	3.2	400-35896	400-35896	—				
C	5/32	4.0	400-35897	400-71909	—				
D	3/16	4.8	226-40353	228-16557	400-95293				
E	7/32	5.6	226-40452	228-16656	—				
F	1/4	6.4	226-40551	228-16755	400-94776	400-25247	400-25235	400-51633	
G	9/32	7.1	226-40759	228-16854	—				
H	5/16	7.9	226-40858	228-16953	—				
K	3/8	9.5	226-40957	228-17050	—				
W	7/16	11.1	226-41054	400-33941	—				400-42880
L	1/2	12.7	226-41252	228-17159	—				
M	5/8	15.9	226-41351	400-33945	—	400-25248	400-25236	400-45729	
N	3/4	19.1	226-41450	400-33947	—				
P	7/8	22.2	226-41658	400-33949	—				
Q	1	25.4	226-41757	400-33951	—	400-25249	400-25239	400-45730	
R	1-1/8	28.6	226-41856	400-33953	—				
S	1-1/4	31.8	226-41955	400-33955	—	400-25250	400-25240	400-45731	
Stitch spec.	S		★			Spec. common	Spec. common	Spec. common	Spec. common
	G			★	★				




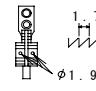
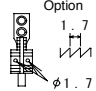
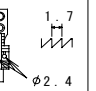
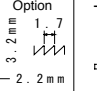


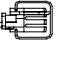
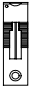
**(3) LH-3568A**

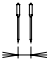

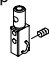

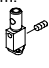

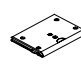
Needle gauze size			Needle clamp asm. (DP5)				Sliding plate asm. (Left)	Sliding plate asm. (Front)
Code			Needle clamp asm. (Left) Option 	Needle clamp asm. (Right) Option 	Needle clamp asm. (Left) Hole type 	Needle clamp asm. (Right) Hole type 	Option 	
	inch	mm	Part No.	Part No.	Part No.	Part No.	Part No.	Part No.
B	1/8	3.2	400-35761	400-35771	B1402-528-BA0-A	B1402-528-BA0-A	400-51633	400-42874
C	5/32	4.0	400-35762	400-35772	B1402-528-CA0-A	B1402-528-CA0-A		
D	3/16	4.8	B1402-528-DAL-A	B1402-528-DAR-A	B1402-528-DAL-A	B1402-528-DAR-A		
E	7/32	5.6	B1402-528-EAL	B1402-528-EAR	B1402-528-EAL	B1402-528-EAR		
F	1/4	6.4	B1402-528-FAL-A	B1402-528-FAR-A	B1402-528-FAL-A	B1402-528-FAR-A		
G	9/32	7.1	400-35765	400-35775	B1402-528-GAL	B1402-528-GAR		
H	5/16	7.9	400-35766	400-35776	B1402-528-HAL-A	B1402-528-HAR-A		
K	3/8	9.5	B1402-528-KAL-A	B1402-528-KAR-A	B1402-528-KAL-A	B1402-528-KAR-A		
L	1/2	12.7	400-35768	400-35778	B1402-528-LAL	B1402-528-LAR		
M	5/8	15.9	400-35769	400-35779	B1402-528-MAL	B1402-528-MAR		
N	3/4	19.1	400-35770	400-35780	B1402-528-NAL	B1402-528-NAR	400-45729	
P	7/8	22.2	400-71917	400-71919	B1402-528-PAL	B1402-528-PAR		
Q	1	25.4	400-71921	400-71923	B1402-528-QAL	B1402-528-QAR	400-45730	
Stitch spec.	S G				★	★	★	★


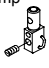
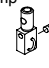

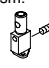
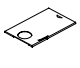

Needle gauze size			Needle clamp asm. (DP17)				Throat Plate	Sliding plate asm. (Left)	Sliding plate asm. (Right)
Code			Needle clamp asm. (Left) Option 	Needle clamp asm. (Right) Option 	Needle clamp asm. (Left) Option 	Needle clamp asm. (Right) Option 			
	inch	mm	Part No.	Part No.	Part No.	Part No.	Part No.	Part No.	Part No.
B	1/8	3.2	400-35877	400-35878	B1402-526-BA0-A	B1402-526-BA0-A	226-25107	226-01058	226-00555
C	5/32	4.0	400-26063	400-26084	B1402-526-CA0-A	B1402-526-CA0-A	226-25206 ※400-72338		
D	3/16	4.8	400-26065	400-26086	B1402-526-DAL-A	B1402-526-DAR-A	226-25305 ※400-95288		
E	7/32	5.6	400-26067	400-26088	102-28559	102-28567	226-25404		
F	1/4	6.4	400-26069	400-26090	B1402-526-FAL-A	B1402-526-FAR-A	226-25503 ※400-94772		
G	9/32	7.1	400-26070	400-26091	B1402-526-GAL-A	B1402-526-GAR-A	226-25602		
H	5/16	7.9	400-26072	400-26093	B1402-526-HAL-A	B1402-526-HAR-A	226-25701		
K	3/8	9.5	400-26074	400-26095	B1402-526-KAL-A	B1402-526-KAR-A	226-25800		
L	1/2	12.7	400-26076	400-26097	B1402-526-LAL-A	B1402-526-LAR-A	226-26006		
M	5/8	15.9	400-26078	400-26099	102-28856	102-28864	226-26105		
N	3/4	19.1	400-26080	400-26101	102-28955	102-28963	226-26204	226-01157	226-00654
P	7/8	22.2	—	—	—	—	226-26303		
Q	1	25.4	400-26082	400-26103	102-29151	102-29169	226-26402	226-01256	226-00753
Stitch spec.	S G				★	★	★ ※ only ★	★	★

Needle gauze size			Feed dog				Presser foot asm.		Swivel guide Presser foot asm.
Code				Option 		Option 	Tip-divided 	Tip-divided 	
	inch	mm	Part No.	Part No.	Part No.	Part No.	Part No.	Part No.	Part No.
B	1/8	3.2	—	400-33563	—	—	400-35896	400-35896	—
C	5/32	4.0	226-30206	400-25784	—	—	400-35897	400-71909	—
D	3/16	4.8	226-30404	400-25785	B1613-512-DOH	400-25801	226-40353	228-16557	400-95293
E	7/32	5.6	226-30503	400-25786	B1613-512-EOH	400-25802	226-40452	228-16656	—
F	1/4	6.4	226-30602	400-25787	B1613-512-FOH	400-25803	226-40551	228-16755	400-94776
G	9/32	7.1	226-30800	400-25788	B1613-512-GOH	400-25804	226-40759	228-16854	—
H	5/16	7.9	226-30909	400-25789	B1613-512-HOH	400-25805	226-40858	228-16953	—
K	3/8	9.5	226-31006	400-25790	B1613-512-KOH	400-25806	226-40957	228-17050	—
L	1/2	12.7	226-31303	400-25792	B1613-512-LOH	400-25808	226-41252	228-17159	—
M	5/8	15.9	226-31402	400-25793	B1613-512-MOH	400-25809	226-41351	400-33945	—
N	3/4	19.1	226-31501	400-25794	B1613-512-NOH	400-25810	226-41450	400-33947	—
P	7/8	22.2	226-31709	400-25795	B1613-512-POH	400-25811	226-41658	400-33949	—
Q	1	25.4	226-31808	400-25796	B1613-512-QOH	400-25812	226-41757	400-33951	—
Stitch spec.	S G		★	★	★	★	★	★	★

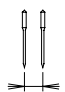
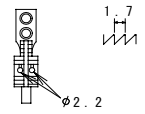
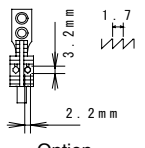
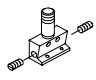
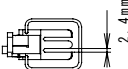
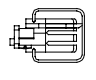

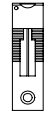
(4) LH-3568A-7


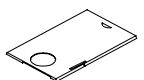
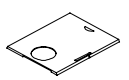
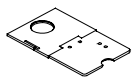
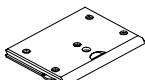
Needle gauze size			Feed dog				Presser foot asm.		Swivel guide Presser foot asm.	Throat Plate
Code										
	inch	mm	Part No.	Part No.	Part No.	Part No.	Part No.	Part No.	Part No.	Part No.
B	1/8	3.2	400-61270	400-35890	400-53705	400-53705	400-35896	400-35896	—	400-35881
C	5/32	4.0	400-61271	400-25817	400-71911	—	400-35897	400-71909	—	400-25485
D	3/16	4.8	400-61272	400-25818	400-35891	400-25831	226-40353	228-16557	400-95293	400-25490 *400-95289
E	7/32	5.6	400-61273	400-25819	400-50009	400-25832	226-40452	228-16656	—	400-25491
F	1/4	6.4	400-61274	400-26715	400-35892	400-25833	226-40551	228-16755	400-94776	400-25492 *400-94773
G	9/32	7.1	400-61275	400-25820	400-50010	400-25834	226-40759	228-16854	—	400-25493
H	5/16	7.9	400-61276	400-25821	400-50011	400-25835	226-40858	228-16953	—	400-25494
K	3/8	9.5	400-61277	400-25822	400-35893	400-25836	226-40957	228-17050	—	400-25495
L	1/2	12.7	400-61278	400-25824	400-35894	400-25838	226-41252	228-17159	—	400-25498
M	5/8	15.9	400-61279	400-25825	400-71912	400-25839	226-41351	400-33945	—	400-25499
N	3/4	19.1	400-61280	400-25826	400-35895	400-25840	226-41450	400-33947	—	400-25500
P	7/8	22.2	400-61281	400-25827	400-71913	400-25841	226-41658	400-33949	—	400-25502
Q	1	25.4	400-61282	400-25828	400-71914	400-25842	226-41757	400-33951	—	400-25503
Stitch spec.	S		★	★	★	★	★	★	★	★
	G									* only ★

Needle gauze size			Needle clamp asm. (DP5)				Sliding plate asm. (Left)	Sliding plate asm. (Front)
Code								
	inch	mm	Part No.	Part No.	Part No.	Part No.	Part No.	Part No.
B	1/8	3.2	400-35761	400-35771	B1402-528-BA0-A	B1402-528-BA0-A	400-51633	400-42880
C	5/32	4.0	400-35762	400-35772	B1402-528-CA0-A	B1402-528-CA0-A		
D	3/16	4.8	B1402-528-DAL-A	B1402-528-DAR-A	B1402-528-DAL-A	B1402-528-DAR-A		
E	7/32	5.6	B1402-528-EAL-A	B1402-528-EAR-A	B1402-528-EAL-A	B1402-528-EAR-A		
F	1/4	6.4	B1402-528-FAL-A	B1402-528-FAR-A	B1402-528-FAL-A	B1402-528-FAR-A		
G	9/32	7.1	400-35765	400-35775	B1402-528-GAL	B1402-528-GAR		
H	5/16	7.9	400-35766	400-35776	B1402-528-HAL-A	B1402-528-HAR-A		
K	3/8	9.5	—	—	B1402-528-KAL-A	B1402-528-KAR-A		
L	1/2	12.7	400-35768	400-35778	B1402-528-LAL	B1402-528-LAR		
M	5/8	15.9	400-35769	400-35779	B1402-528-MAL	B1402-528-MAR		
N	3/4	19.1	400-35770	400-35780	B1402-528-NAL	B1402-528-NAR		
P	7/8	22.2	400-71917	400-71919	B1402-528-PAL	B1402-528-PAR		
Q	1	25.4	400-71921	400-71923	B1402-528-QAL	B1402-528-QAR		
Stitch spec.	S		Spec. common	Spec. common	Spec. common	Spec. common	Spec. common	Spec. common
	G							

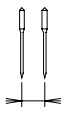
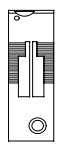
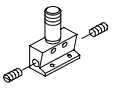
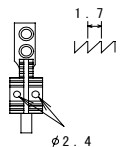
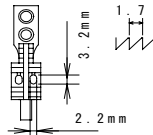
Needle gauze size			Needle clamp asm. (DP17)				Sliding plate asm. (Left)	Sliding plate asm. (Right)
Code								
	inch	mm	Part No.	Part No.	Part No.	Part No.	Part No.	Part No.
B	1/8	3.2	400-35877	400-35878	B1402-526-BA0-A	B1402-526-BA0-A	400-25247	400-25235
C	5/32	4.0	400-26063	400-26084	B1402-526-CA0-A	B1402-526-CA0-A		
D	3/16	4.8	400-26065	400-26086	B1402-526-DAL-A	B1402-526-DAR-A		
E	7/32	5.6	400-26067	400-26088	102-28559	102-28567		
F	1/4	6.4	400-26069	400-26090	B1402-526-FAL-A	B1402-526-FAR-A		
G	9/32	7.1	400-26070	400-26091	B1402-526-GAL-A	B1402-526-GAR-A		
H	5/16	7.9	400-26072	400-26093	B1402-526-HAL-A	B1402-526-HAR-A		
K	3/8	9.5	400-26074	400-26095	B1402-526-KAL-A	B1402-526-KAR-A		
L	1/2	12.7	400-26076	400-26097	B1402-526-LAL-A	B1402-526-LAR-A		
M	5/8	15.9	400-26078	400-26099	102-28856	102-28864		
N	3/4	19.1	400-26080	400-26101	102-28955	102-28963		
P	7/8	22.2	—	—	—	—	400-25249	400-25239
Q	1	25.4	400-26082	400-26103	102-29151	102-29169		
Stitch spec.	S		Spec. common	Spec. common	Spec. common	Spec. common	Spec. common	Spec. common
	G							

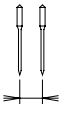
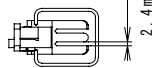
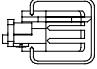
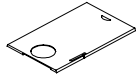
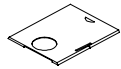
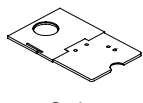
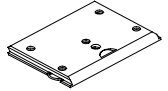
**(5) LH-3578A (G type)**

Needle gauze size		Feed dog		Needle clamp asm.	Presser foot asm.	Swivel guide Presser foot asm.	Throat Plate (with taping)	Throat Plate	
Code									
	inch	mm	Part No.	Option Part No.	Hole type Part No.	Tip-divided Part No.	Part No.	Part No. (with taping)	Part No.
A	3/32	2.4	—	—	101-47551	—	—	—	—
B	1/8	3.2	B1613-512-B0H	—	101-47650	400-35896	—	226-28002	—
C	5/32	4.0	B1613-512-C0H	—	101-47759	400-71909	—	226-28101	—
D	3/16	4.8	B1613-512-D0H	400-25801	101-47858	228-16557	400-95293	226-28200	400-95288
E	7/32	5.6	B1613-512-E0H	400-25802	101-47957	228-16656	—	226-28309	—
F	1/4	6.4	B1613-512-F0H	400-25803	101-48054	228-16755	400-94776	226-28408	400-94772
G	9/32	7.1	B1613-512-G0H	400-25804	101-48153	228-16854	—	226-28507	—
H	5/16	7.9	B1613-512-H0H	400-25805	101-48252	228-16953	—	226-28606	—
K	3/8	9.5	B1613-512-K0H	400-25806	101-48351	228-17050	—	—	—
W	7/16	11.1	400-75311	400-25807	101-48450	400-33941	—	—	—
L	1/2	12.7	B1613-512-L0H	400-25808	101-48559	228-17159	—	—	—
M	5/8	15.9	B1613-512-M0H	400-25809	101-48658	400-33945	—	—	—
N	3/4	19.1	B1613-512-N0H	400-25810	101-48757	400-33947	—	—	—
P	7/8	22.2	B1613-512-P0H	400-25811	101-48856	400-33949	—	—	—
Q	1	25.4	B1613-512-Q0H	400-25812	101-48955	400-33951	—	—	—
R	1-1/8	28.6	B1613-512-R0H	400-25813	101-49052	400-33953	—	—	—
S	1-1/4	31.8	B1613-512-S0H	400-25814	101-49151	400-33955	—	—	—
T	1-3/8	34.9	B1613-512-T0H	400-25815	101-49250	400-33957	—	—	—
U	1-1/2	38.1	B1613-512-U0H	400-25816	101-49359	400-33959	—	—	—



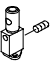
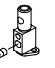
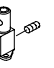
Needle gauze size		Sliding plate asm. (Left)	Sliding plate asm. (Right)	Sliding plate asm. (Left)	Sliding plate asm. (Front)			
Code								
	inch	mm	Part No.	Part No.	Option Part No.	Part No.		
A	3/32	2.4	226-01058	226-00555	400-51633	400-42874		
B	1/8	3.2						
C	5/32	4.0						
D	3/16	4.8						
E	7/32	5.6						
F	1/4	6.4						
G	9/32	7.1						
H	5/16	7.9						
K	3/8	9.5						
W	7/16	11.1						
L	1/2	12.7	226-01157	226-00654	400-45729	400-42874		
M	5/8	15.9						
N	3/4	19.1						
P	7/8	22.2						
Q	1	25.4	226-01256	226-00753	400-45730		400-42874	
R	1-1/8	28.6						
S	1-1/4	31.8	226-01355	226-00852	400-45731			400-42874
T	1-3/8	34.9						
U	1-1/2	38.1						


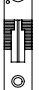




**(6) LH-3578A-7 (G type)**


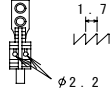
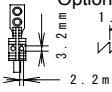

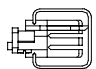
Needle gauge size		Throat Plate	Needle clamp asm.	Feed dog		
Code				 Hole type	 φ2.4	 Option
	inch	mm	Part No.	Part No.	Part No.	Part No.
A	3/32	2.4	—	101-47551	—	—
B	1/8	3.2	400-35881	101-47650	400-53705	400-53705
C	5/32	4.0	400-25485	101-47759	400-71911	—
D	3/16	4.8	400-95289	101-47858	400-35891	400-25831
E	7/32	5.6	400-25491	101-47957	400-50009	400-25832
F	1/4	6.4	400-94773	101-48054	400-35892	400-25833
G	9/32	7.1	400-25493	101-48153	400-50010	400-25834
H	5/16	7.9	400-25494	101-48252	400-50011	400-25835
K	3/8	9.5	400-25495	101-48351	400-35893	400-25836
W	7/16	11.1	400-25496	101-48450	—	400-25837
L	1/2	12.7	400-25498	101-48559	400-35894	400-25838
M	5/8	15.9	400-25499	101-48658	400-71912	400-25839
N	3/4	19.1	400-25500	101-48757	400-35895	400-25840
P	7/8	22.2	400-25502	101-48856	400-71913	400-25841
Q	1	25.4	400-25503	101-48955	400-71914	400-25842
R	1-1/8	28.6	400-25504	101-49052	400-71915	400-25843
S	1-1/4	31.8	400-25505	101-49151	400-71916	400-25844
T	1-3/8	34.9	—	101-49250	—	—
U	1-1/2	38.1	—	101-49359	—	—

Needle gauge size		Presser foot asm.	Swivel guide Presser foot asm.	Sliding plate asm. (Left)	Sliding plate asm. (Right)	Sliding plate asm. (Left)	Sliding plate asm. (Front)	
Code			 Tip-divided 2.4mm				 Option	
	inch	mm	Part No.	Part No.	Part No.	Part No.	Part No.	Part No.
B	1/8	3.2	400-35896	—	400-25247	400-25235	400-51633	400-42880
C	5/32	4.0	400-71909	—				
D	3/16	4.8	228-16557	400-95293				
E	7/32	5.6	228-16656	—				
F	1/4	6.4	228-16755	400-94776				
G	9/32	7.1	228-16854	—				
H	5/16	7.9	228-16953	—				
K	3/8	9.5	228-17050	—				
W	7/16	11.1	400-33941	—				
L	1/2	12.7	228-17159	—				
M	5/8	15.9	400-33945	—				
N	3/4	19.1	400-33947	—				
P	7/8	22.2	400-33949	—				
Q	1	25.4	400-33951	—				
R	1-1/8	28.6	400-33953	—				
S	1-1/4	31.8	400-33955	—				
				400-25248	400-25236	400-45729		
				400-25249	400-25239	400-45730		
				400-25250	400-25240	400-45731		

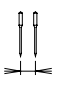
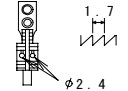
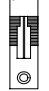
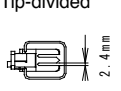

**(7) LH-3588A (G type)**





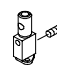
Needle gauze size			Needle clamp asm. (DP17)		Needle clamp asm. (DP5)	
Code			Needle clamp asm. (Left) Option 	Needle clamp asm. (Right) Option 	Needle clamp asm. (Left) Hole type 	Needle clamp asm. (Right) Hole type 
	inch	mm	Part No.	Part No.	Part No.	Part No.
B	1/8	3.2	B1402-526-BA0-A	B1402-526-BA0-A	B1402-528-BA0-A	B1402-528-BA0-A
C	5/32	4.0	B1402-526-CA0-A	B1402-526-CA0-A	B1402-528-CA0-A	B1402-528-CA0-A
D	3/16	4.8	B1402-526-DAL-A	B1402-526-DAR-A	B1402-528-DAL-A	B1402-528-DAR-A
E	7/32	5.6	102-28559	102-28567	B1402-528-EAL	B1402-528-EAR
F	1/4	6.4	B1402-526-FAL-A	B1402-526-FAR-A	B1402-528-FAL-A	B1402-528-FAR-A
G	9/32	7.1	B1402-526-GAL-A	B1402-526-GAR-A	B1402-528-GAL	B1402-528-GAR
H	5/16	7.9	B1402-526-HAL-A	B1402-526-HAR-A	B1402-528-HAL-A	B1402-528-HAR-A
K	3/8	9.5	B1402-526-KAL-A	B1402-526-KAR-A	B1402-528-KAL-A	B1402-528-KAR-A
L	1/2	12.7	B1402-526-LAL-A	B1402-526-LAR-A	B1402-528-LAL	B1402-528-LAR
M	5/8	15.9	102-28856	102-28864	B1402-528-MAL	B1402-528-MAR
N	3/4	19.1	102-28955	102-28963	B1402-528-NAL	B1402-528-NAR
P	7/8	22.2	—	—	B1402-528-PAL	B1402-528-PAR
Q	1	25.4	102-29151	102-29169	B1402-528-QAL	B1402-528-QAR


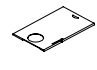
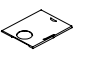


Needle gauze size			Throat Plate	Sliding plate asm. (Left)	Sliding plate asm. (Right)	Sliding plate asm. (Left) Option	Sliding plate asm. (Front)
Code							
	inch	mm	Part No.	Part No.	Part No.	Part No.	Part No.
B	1/8	3.2	—	226-01058	226-00555	400-51633	400-42874
C	5/32	4.0	—				
D	3/16	4.8	400-95288				
E	7/32	5.6	—				
F	1/4	6.4	400-94772				
G	9/32	7.1	—				
H	5/16	7.9	—				
K	3/8	9.5	—				
L	1/2	12.7	—				
M	5/8	15.9	—				
N	3/4	19.1	—	226-01157	226-00654	400-45729	
P	7/8	22.2	—	226-01256	226-00753	400-45730	
Q	1	25.4	—				

Needle gauze size			Feed dog		Presser foot asm.	Swivel guide Presser foot asm.
Code				Option 	Tip-divided 	
	inch	mm	Part No.	Part No.	Part No.	Part No.
B	1/8	3.2	—	—	400-35896	—
C	5/32	4.0	B1613-512-COH	—	400-71909	—
D	3/16	4.8	B1613-512-DOH	400-25801	228-16557	400-95293
E	7/32	5.6	B1613-512-EOH	400-25802	228-16656	—
F	1/4	6.4	B1613-512-FOH	400-25803	228-16755	400-94776
G	9/32	7.1	B1613-512-GOH	400-25804	228-16854	—
H	5/16	7.9	B1613-512-HOH	400-25805	228-16953	—
K	3/8	9.5	B1613-512-KOH	400-25806	228-17050	—
L	1/2	12.7	B1613-512-LOH	400-25808	228-17159	—
M	5/8	15.9	B1613-512-MOH	400-25809	400-33945	—
N	3/4	19.1	B1613-512-NOH	400-25810	400-33947	—
P	7/8	22.2	B1613-512-POH	400-25811	400-33949	—
Q	1	25.4	B1613-512-QOH	400-25812	400-33951	—

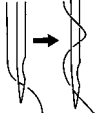
**(8) LH-3588A-7 (G type)**

Needle gauze size		Feed dog		Throat Plate	Presser foot asm.	Swivel guide Presser foot asm.
Code						
	inch	mm	Part No.	Part No.	Part No.	Part No.
B	1/8	3.2	400-53705	400-53705	400-35881	400-35896
C	5/32	4.0	400-71911	—	400-25485	400-71909
D	3/16	4.8	400-35891	400-25831	400-95289	228-16557
E	7/32	5.6	400-50009	400-25832	400-25491	228-16656
F	1/4	6.4	400-35892	400-25833	400-94773	228-16755
G	9/32	7.1	400-50010	400-25834	400-25493	228-16854
H	5/16	7.9	400-50011	400-25835	400-25494	228-16953
K	3/8	9.5	400-35893	400-25836	400-25495	228-17050
L	1/2	12.7	400-35894	400-25838	400-25498	228-17159
M	5/8	15.9	400-71912	400-25839	400-25499	400-33945
N	3/4	19.1	400-35895	400-25840	400-25500	400-33947
P	7/8	22.2	400-71913	400-25841	400-25502	400-33949
Q	1	25.4	400-71914	400-25842	400-25503	400-33951

Needle gauze size		Needle clamp asm. (DP5)		Needle clamp asm. (DP17)		
Code						
	inch	mm	Hole type Part No.	Hole type Part No.	Option Part No.	Option Part No.
B	1/8	3.2	B1402-528-BA0-A	B1402-528-BA0-A	B1402-526-BA0-A	B1402-526-BA0-A
C	5/32	4.0	B1402-528-CA0-A	B1402-528-CA0-A	B1402-526-CA0-A	B1402-526-CA0-A
D	3/16	4.8	B1402-528-DAL-A	B1402-528-DAR-A	B1402-526-DAL-A	B1402-526-DAR-A
E	7/32	5.6	B1402-528-EAL	B1402-528-EAR	102-28559	102-28567
F	1/4	6.4	B1402-528-FAL-A	B1402-528-FAR-A	B1402-526-FAL-A	B1402-526-FAR-A
G	9/32	7.1	B1402-528-GAL	B1402-528-GAR	B1402-526-GAL-A	B1402-526-GAR-A
H	5/16	7.9	B1402-528-HAL-A	B1402-528-HAR-A	B1402-526-HAL-A	B1402-526-HAR-A
K	3/8	9.5	B1402-528-KAL-A	B1402-528-KAR-A	B1402-526-KAL-A	B1402-526-KAR-A
L	1/2	12.7	B1402-528-LAL	B1402-528-LAR	B1402-526-LAL-A	B1402-526-LAR-A
M	5/8	15.9	B1402-528-MAL	B1402-528-MAR	102-28856	102-28864
N	3/4	19.1	B1402-528-NAL	B1402-528-NAR	102-28955	102-28963
P	7/8	22.2	B1402-528-PAL	B1402-528-PAR	—	—
Q	1	25.4	B1402-528-QAL	B1402-528-QAR	102-29151	102-29169

Needle gauze size		Sliding plate asm. (Left)	Sliding plate asm. (Right)	Sliding plate asm. (Left)	Sliding plate asm. (Front)	
Code						
	inch	mm	Part No.	Part No.	Option Part No.	Part No.
B	1/8	3.2	400-25247	400-25235	400-51633	400-42880
C	5/32	4.0				
D	3/16	4.8				
E	7/32	5.6				
F	1/4	6.4				
G	9/32	7.1				
H	5/16	7.9				
K	3/8	9.5	400-25248	400-25236	400-45729	
L	1/2	12.7				
M	5/8	15.9				
N	3/4	19.1				
P	7/8	22.2	400-25249	400-25239	400-45730	
Q	1	25.4				

## 9. TROUBLES AND CORRECTIVE MEASURES

TROUBLES	CAUSES	CORRECTIVE MEASURES
<p>1. Thread breakage (Thread is untwisted or scraped.)</p> <p style="text-align: center;">(Needle thread 2 to 3 cm is left on the wrong side of the fabric.)</p> <p style="text-align: center;">(Bobbin thread comes out of the bobbin.)</p>	<ol style="list-style-type: none"> <li>① There is a sharp edge or burr on the thread path, needle point, hook blade point or bobbin case resting groove on the throat plate.</li> <li>② Needle thread tension is too high.</li> <li>③ Bobbin case opening lever provides an excessive clearance at the bobbin case.</li> <li>④ Hook blade point hits the needle.</li> <li>⑤ Hook is not lubricated properly.</li> <li>⑥ Needle thread tension is too low.</li> <li>⑦ Thread take-up spring is too tight and its stroke is too small.</li> <li>⑧ Needle-to-hook timing is wrong.</li> <li>⑨ Thread untwines.</li> <li>⑩ Uniform thread loops cannot be formed when making chain-off thread.</li> <li>⑪ Bobbin is wound with excessive amount of thread. (In particular, filament thread)</li> </ol>	<ul style="list-style-type: none"> <li>○ Remove sharp edge or burr using a fine sandpaper. Polish the surface of the bobbin case resting groove on the throat plate using a buffing wheel.</li> <li>○ Adjust the needle thread tension.</li> <li>○ Reduce the clearance. (Refer to <b>"6-5. Adjusting the inner hook guide", p. 37.</b>)</li> <li>○ Refer to <b>"4-17. Needle-to-hook relation", p. 27.</b></li> <li>○ Increase the amount of oil supplied to the hook according to <b>"4-4. Adjusting the amount of oil in the hook", p. 9.</b></li> <li>○ Adjust the needle thread tension.</li> <li>○ Reduce the tension of the spring and increase the stroke.</li> <li>○ Refer to <b>"4-17. Needle-to-hook relation", p. 27.</b></li> <li>○ Wind the thread on the needle.                             <div style="text-align: center; margin: 5px 0;">  </div> </li> <li>○ Use the thread guide equipped with felt pad.</li> <li>○ Use the optional needle clamp wire.</li> <li>○ Wind the bobbin with thread by 80 % of its capacity.</li> </ul>
<p>2. Stitch skipping</p>	<ol style="list-style-type: none"> <li>① Clearance between the needle and the hook blade point is too great.</li> <li>② Needle-to-hook relation is wrong.</li> <li>③ Pressing force of the presser foot is not enough.</li> <li>④ Needle bar height is wrong.</li> <li>⑤ Needles are a little too thin.</li> <li>⑥ Synthetic thread or thin thread is used.</li> <li>⑦ Stitch skipping occurs at the beginning of sewing.</li> <li>⑧ Stitch skips when sewing multilayered parts of the material.</li> <li>⑨ Stitch skipping occurs when the material thickness changes, i.e., from a two-ply part to a multi-layered part and vice versa.</li> </ol>	<ul style="list-style-type: none"> <li>○ Refer to <b>"4-17. Needle-to-hook relation", p. 27.</b></li> <li>○ Refer to <b>"4-17. Needle-to-hook relation", p. 27.</b></li> <li>○ Tighten the presser spring regulator.</li> <li>○ Refer to <b>"4-17. Needle-to-hook relation", p. 27.</b></li> <li>○ Replace the needle by thicker ones.</li> <li>○ Wind the thread on the needle.</li> <li>○ Use the optional needle clamp wire.</li> <li>○ Run the sewing machine under the soft start mode by 2 to 3 stitches from the sewing start.</li> <li>○ Use the needle thread guide and precisely adjust the hook timing.</li> <li>○ Move the presser foot toward the operator. At this time, be careful not to allow the presser foot to come in contact with the needle.</li> </ul>

TROUBLES	CAUSES	CORRECTIVE MEASURES
3. Loose stitch	<ul style="list-style-type: none"> <li>① Bobbin thread does not pass through the forked end of the tension spring on the bobbin case.</li> <li>② Thread path has rough surface.</li> <li>③ Bobbin does not spin smoothly.</li> <li>④ Bobbin case opening lever provides too much clearance at the bobbin.</li> <li>⑤ Bobbin thread tension is too low.</li> <li>⑥ Bobbin is wound too tightly.</li> <li>⑦ The presser foot does not securely press the multi-layered section of the material.</li> <li>⑧ Needle eyelet is too small for thickness of thread, preventing smooth take-up motion of the thread take-up lever.</li> <li>⑨ With respect to tensing of thick thread, neither needle thread tension nor bobbin thread tension can be increased, resulting in production of isolated idling loops.</li> <li>⑩ Isolated idling loops are produced during the reverse feed stitching.</li> </ul>	<ul style="list-style-type: none"> <li>○ Thread the bobbin case correctly.</li> <li>○ Remove rough surface using a fine sandpaper or polish the surface using a buffing wheel.</li> <li>○ Replace the bobbin or the hook.</li> <li>○ Refer to <b>"6-5. Adjusting the inner hook guide", p. 37.</b></li> <li>○ Adjust the bobbin thread tension.</li> <li>○ Adjust the tension components on the bobbin winder.</li> <li>○ Change presser foot with the hinging presser (B1524512FBE). (The presser foot with large front and rear elevation angles is preferable.)</li> <li>○ Retard the hook timing by 2 to 3 degrees.</li> <li>○ Use the needle thread take-up eyelet.</li> <li>○ Use the needle thread presser.</li> <li>○ Use the bobbin thread tension spring t0.3 (22612808).</li> <li>○ Retard the hook timing.</li> </ul>
4. Thread trimming failure	<ul style="list-style-type: none"> <li>① The position of the moving knife is not correct.</li> <li>② Bobbin thread cannot be trimmed by dropping the thread trimmer.</li> </ul>	<ul style="list-style-type: none"> <li>○ Refer to <b>"6-9. Adjusting the position of the moving knife" p. 40.</b></li> <li>○ Use the feed dog with thicker teeth (2 mm).</li> <li>○ Retard the thread trimming cam timing by 5°.</li> </ul>
5. Amount of idling is excessively large.	<ul style="list-style-type: none"> <li>① The counter knife pressure is inadequate.</li> <li>② Backlash between the bobbin and the bobbin case is excessively large.</li> <li>③ The idling prevention spring does not work adequately.</li> <li>④ The idling prevention sheet is not placed.</li> <li>⑤ Thread trimming speed is too high.</li> </ul>	<ul style="list-style-type: none"> <li>○ Increase the knife pressure. Refer to <b>"6-8. Adjusting the thread presser spring" p. 39.</b></li> <li>○ Re-select the bobbin and the bobbin case.</li> <li>○ Increase the spring pressure.</li> <li>○ Place the sheet in position.</li> <li>○ Decrease the thread trimming speed.</li> </ul>
6. Clamp failure	<ul style="list-style-type: none"> <li>① The clamp pressure has adjusted to an excessively high or low value.</li> <li>② The clamp pressure works excessively, resulting permanent set in fatigue of the clamp plate clamp spring.</li> <li>③ The bobbin thread slips off due to the bobbin thread slack prevention spring of the cap hook.</li> <li>④ Due to difference in thread count number between the needle thread and bobbin thread, they excessively tangle with each other at the time of thread trimming.</li> <li>⑤ The feed dog height is too low.</li> </ul>	<ul style="list-style-type: none"> <li>○ Increase or decrease the clamp pressure. Refer to <b>"6-8. Adjusting the thread presser spring" p. 39.</b></li> <li>○ Change the clamp plate clamp spring with a new one.</li> <li>○ Remove the bobbin thread slack prevention spring.</li> <li>○ Use the optional clamp style cap hook.</li> <li>○ Increase the tension applied by the tension controller No. 1.</li> <li>○ Retard the timing of the thread trimming cam.</li> <li>○ Increase the feed dog height.</li> </ul>



## 10. MOTOR PULLEY AND BELT

■ Motor pulley and belt for the machine without thread trimmer are as described below.

- 1) Use a clutch motor with an output 400 W (2P).
- 2) Use M type V belt.
- 3) The relation between the motor pulley, belt length and number of revolutions of sewing machine is as shown in the list below.

LH-3528A, 3568A, 3578A and 3588A					
Motor pulley		Sewing speed (sti/min)		Belt	
Outer diameter(mm)	Part No.	50Hz	60Hz	Length	Part No.
75	MTKP0070000	3000	-	43 inches	MTJVM00430A
70	MTKP0065000	2790	-		
65	MTKP0060000	2580	3000	42 inches	MTJVM00420A
60	MTKP0055000	2370	2740		

- \* The effective motor pulley diameter is obtained by subtracting 5 mm from the outer diameter.
- \* The motor should rotate counterclockwise when viewed from the pulley side. Be careful not to rotate it in the counter direction.