

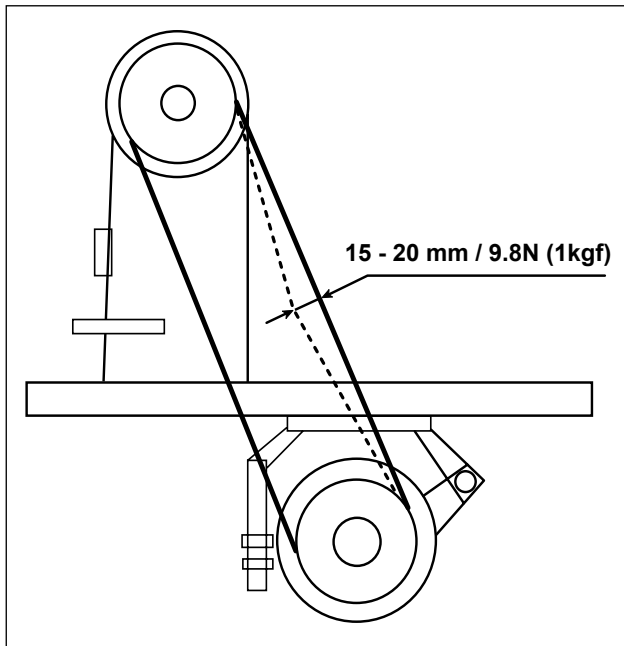
MATTERS THAT DEMAND SPECIAL ATTENTION AT THE TIME OF SETTING UP OF THE SEWING MACHINE

缝纫机安装注意事项

No.02
40048592

Be sure to confirm the matters below when setting up the sewing machine.

安装缝纫机时，请一定确认以下事项



1. Adjusting the V-belt tension

Adjust the belt tension so that the belt sags 15 to 20 mm when the center of the belt is applied with an approximately 9.8N (1 Kgf) load (with slightly stronger force by finger). (When the belt is excessively tightened, load to the main shaft increases, and the machine head may be damaged due to heat or the like. So, be careful.)

1. 皮带张力的调整

皮带张力应调整到到在皮带中部以约 9.8N(1Kgf) 的力度（手指稍用力）下压时，皮带下凹 15 ~ 20mm。
(皮带张力过大时，上轴负荷增大发热，有可能造成机头损坏，请充分注意。)

2. After completing setting up the sewing machine, let the machine idle for approximately 5 minutes at 1,000 to 2,000 rpm for the purpose of break-in. (Lubrication of the respective bearings is improved.)

2. 安装完成后，请以约 1000 ~ 2000rpm 的转速试运行 5 分钟左右（以使各轴承部润滑良好）。

3. When the belt other than specified one is used, avoid using the belt which brings big deflection or torsion due to rotation. (Especially, avoid using the belt of poor quality which has deflection, crack or large step difference in joint section since it greatly affects the machine head.)

3. 使用非指定皮带时，应尽量避免使用运转时摆动大易扭曲的皮带（特别是易扭曲、龟裂以及接头部高低差大的粗劣皮带对机器的影响较大，请避免使用）。

JUKI 株式会社

〒 206-8551 東京都多摩市鶴牧 2-11-1
TEL. 042-357-2371 (ダイヤルイン)
FAX. 042-357-2274
<http://www.juki.co.jp>

JUKI CORPORATION

2-11-1, TSURUMAKI, TAMA-SHI,
TOKYO, 206-8551, JAPAN
PHONE : (81)42-357-2371
FAX : (81)42-357-2274
<http://www.juki.com>

Copyright © 2006-2010 JUKI CORPORATION

• All rights reserved throughout the world.
• 版权所有，严禁擅自转载、翻印本书的内容。