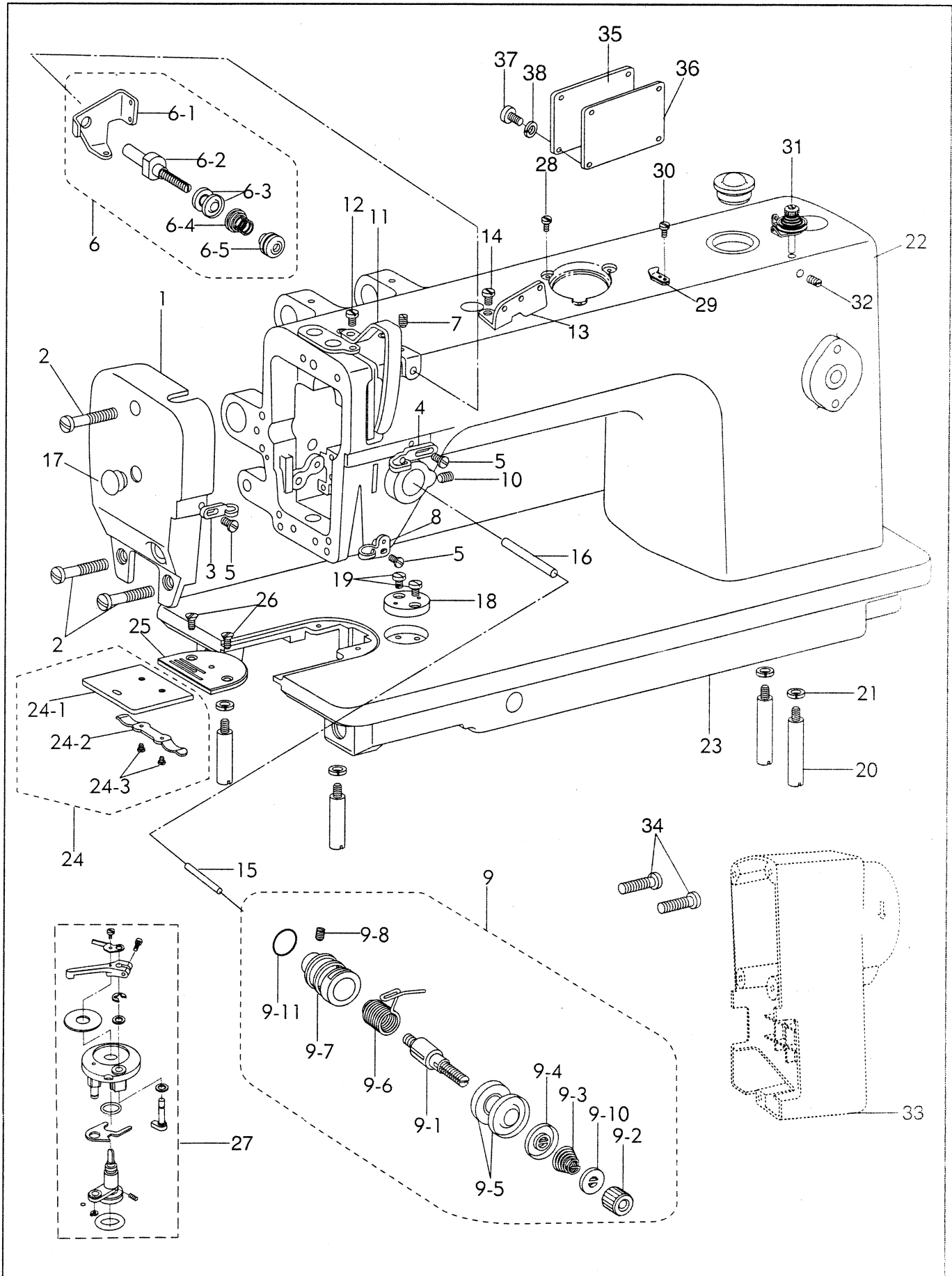


Parts Manual

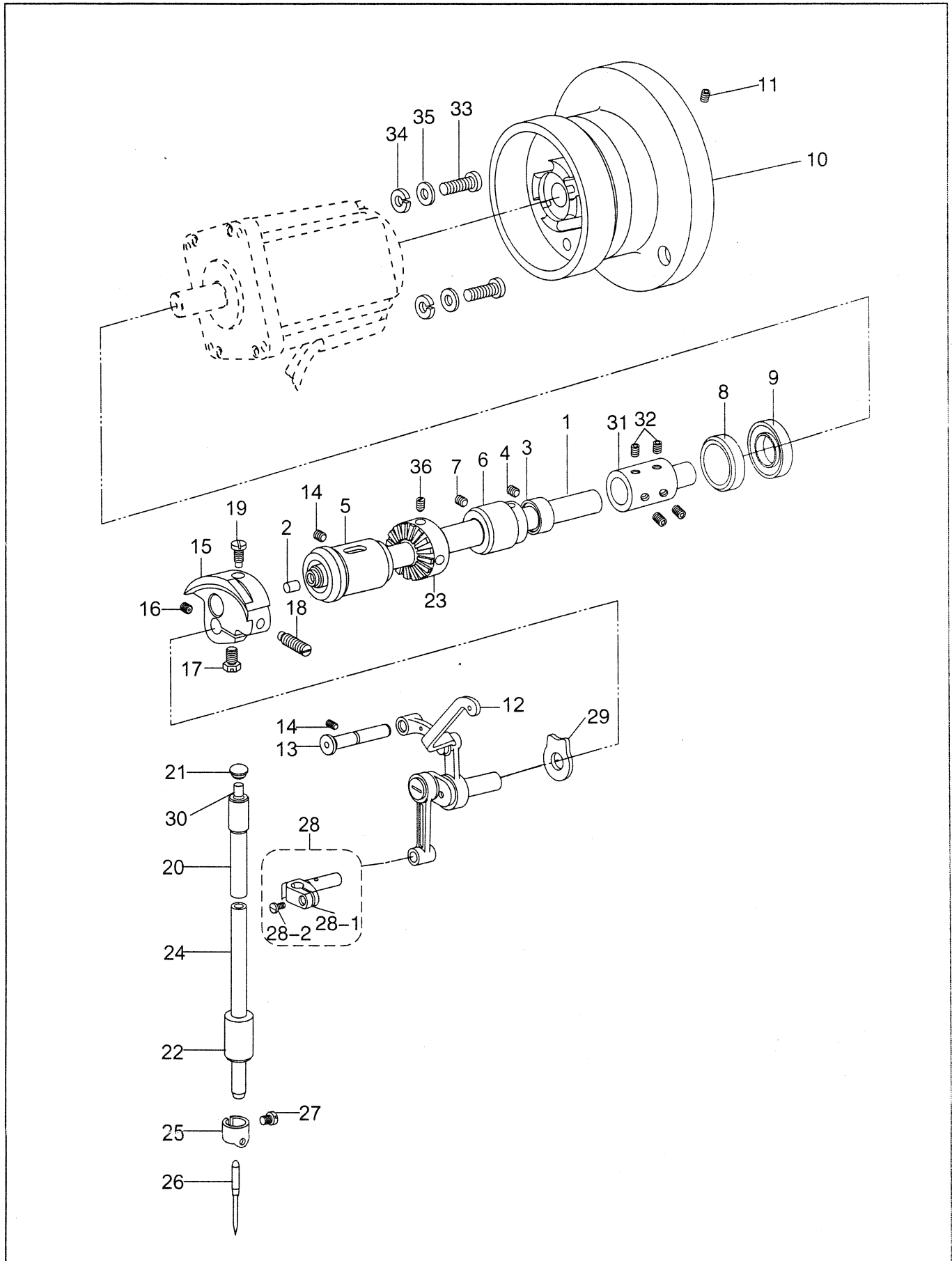
1. Casting mechanism



1. Casting Mechanism

Line	Part Number	Description	Qt.	Notes
1	100-1001	Face plate	1	
2	100-1002	Screw	2	
3	100-1003	Thread guide	1	
4	100-1004	Thread guide	1	
5	100-1005	Screw	3	
6	100-1006	Thread guide assy.	1	
6-1	100-1007	Thread guide	1	
6-2	100-1008	Pre-tension stud	1	
6-3	100-1009	Tension disc	2	
6-4	100-1010	Tension spring	1	
6-5	100-1011	Adjusting screw	1	
7	100-1012	Set screw	1	
8	100-1013	Thread guide	1	
9	100-1014	Thread tension bracket assy.	1	
9-1	100-1015	Tension stud	1	
9-2	100-1016	Tension nut	1	
9-3	100-1017	Tension spring	1	
9-4	100-1018	Disc presser	1	
9-5	100-1019	Disc, tension	2	
9-6	100-1020	Thread take-up spring	1	
9-7	100-1021	Thread tension bracket	1	
9-8	100-1022	Set screw	1	
9-10	100-1023	Stopper	1	
9-11	100-1024	O ring	1	
10	100-1025	Set screw	1	
11	100-1026	Cover	1	
12	100-1027	Screw	1	
13	100-1028	Thread retainer	1	
14	100-1029	Screw	1	
15	100-1030	Tension release pin	1	
16	100-1031	Tension release stud	1	
17	100-1032	Rubber plug	1	
18	100-1033	Ruler plate	1	
19	100-1034	Screw	2	GB93 6
20	100-1035	Bed leg	4	
21	100-1036	Washer, spring	4	
22	100-1037	Arm	1	
23	100-1038	Bed	1	
24	100-1039	Slide plate assy.	1	
24-1	100-1040	Slide plate	1	
24-2	100-1041	Spring plate	1	
24-3	100-1042	Screw	2	
25	100-1043	Needle plate	1	
26	100-1044	Screw	2	
27	100-1045	Bobbin thread winder assy.	1	
28	400-1244	Screw	3	
29	100-1046	Cutter	1	
30	100-1047	Screw	2	
31	100-1048	Bobbin thread tension assy.	1	
32	100-1049	Screw	1	
33	100-1050	Motor cover	1	
34	100-1051	Screw	5	GB/818 M5X25
35	100-1052	Back cover	1	
36	100-1053	Seal	1	
37	100-1054	Screw	4	
38	200-1377	Washer	4	

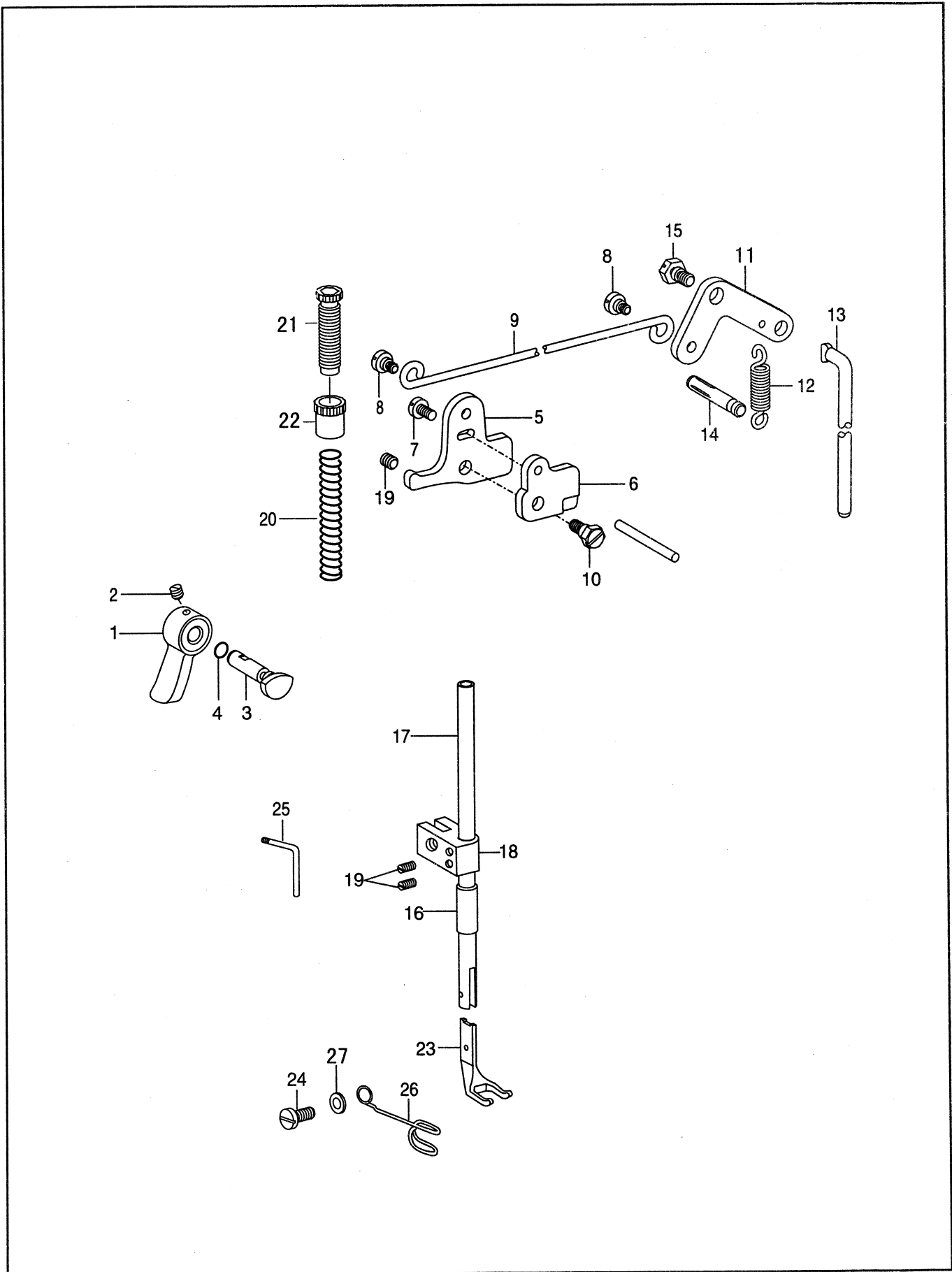
2. Needle bar and thread take-up mechanism



2. Needle bar and thread take-up mechanism

Line	Part Number	Description	Qt.	Notes
1	100-1055	Upper shaft	1	
2	100-1056	Robber cap	1	
3	100-1057	Collar	1	
4	400-1105	Screw	2	
5	100-1058	Bush, L	1	
6	100-1059	Bush, M	1	
7	100-1060	Set screw	1	
8	100-1061	Bearing, R	1	φ20xφ42x12
9	100-1062	Oil seal	1	
10	100-1063	Hand wheel	1	
11	100-1064	Screw	2	
12	100-1065	Thread take-up lever set	1	
13	100-1066	Support shaft	1	
14	100-1067	Set screw	2	
15	100-1068	Thread take-up crank	1	
16	100-1069	Screw	1	
17	400-1203	Screw	1	
18	100-1070	Screw	1	
19	100-1071	Screw	1	
20	100-1072	Bush, needle bar, upper	1	
21	100-1073	Robber cap	1	
22	100-1074	Bush, needle bar, lower	1	
23	100-1075	Friction wheel	1	
24	100-1076	Needle bar	1	
25	100-1077	Thread guide	1	
26	100-1078	Needle	1	135X17#23
27	200-1166	Set screw	1	
28	100-1079	Needle bar clamp assy.	1	
28-1	100-1080	Needle bar clamp	1	
28-2	100-1081	Set screw	1	
29	100-1082	Washer	1	
30	100-1083	Felt	1	
31	100-1084	Shaft coupling	1	
32	100-1085	Screw	4	GB/T65 M5X20
33	100-1086	Screw	4	GB/T859 5
34	100-1087	Spring washer	4	GB/T95 5
35	100-1088	Washer	4	
36	100-1089	Screw	2	

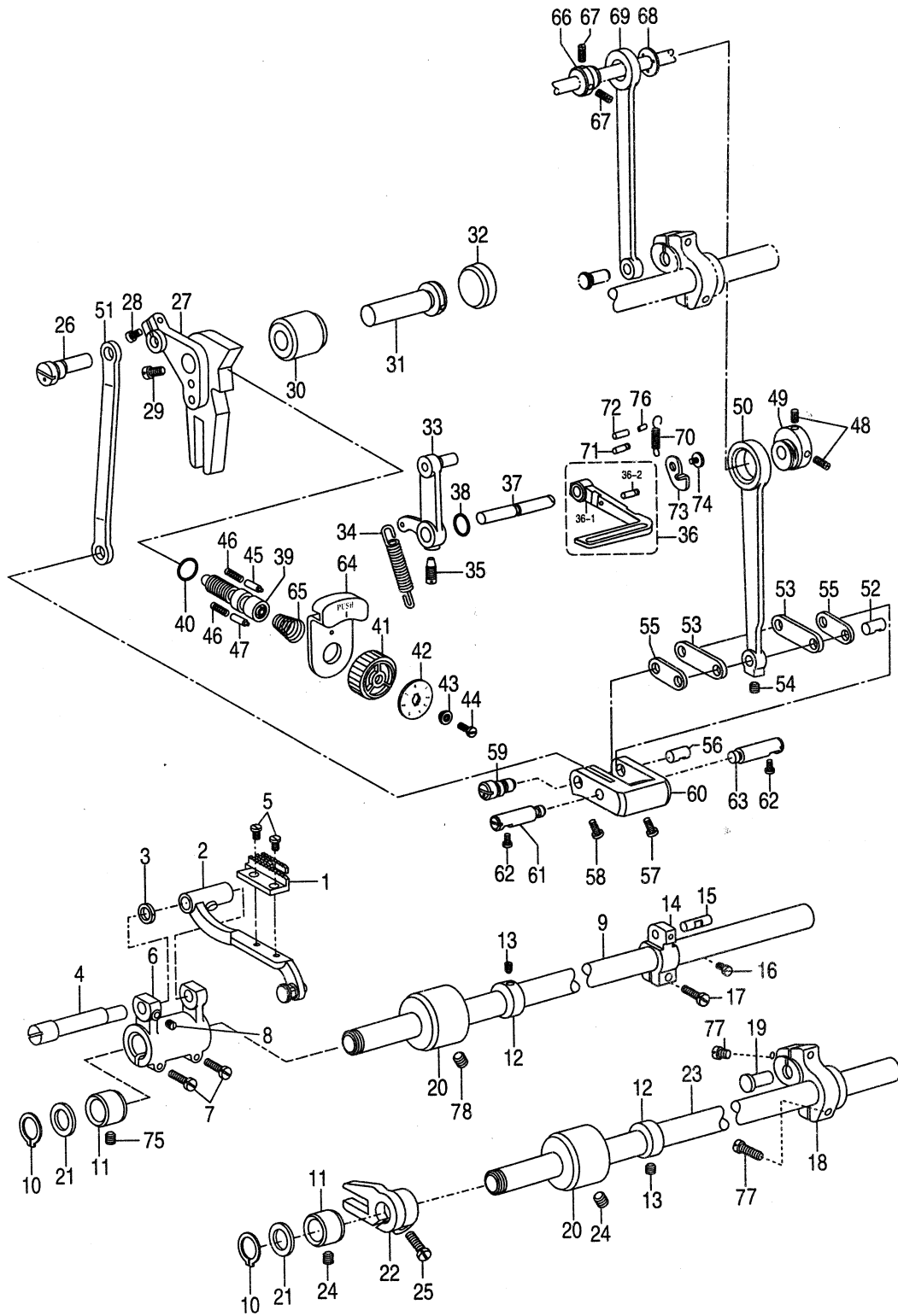
3. Presser foot mechanism



3. Presser foot mechanism

Line	Part Number	Description	Qt.	Notes
1	100-1090	Presser bar lifter	1	
2	100-1091	Screw	1	
3	100-1092	Lifter crank	1	
4	100-1093	O ring	1	GB3452.1 4.5X1.8G
5	100-1094	Lifter lever	1	
6	100-1095	Guide plate	1	
7	100-1096	Screw	1	
8	100-1097	Screw	2	
9	100-1098	Collecting rod	1	
10	100-1099	Screw	1	
11	100-1100	Lever	1	
12	100-1101	Spring, extension	1	
13	100-1102	Knee lifter bar	1	
14	100-1103	Spring hook	1	
15	100-1104	Shoulder screw	1	
16	100-1105	Bush	1	
17	100-1106	Presser bar	1	
18	100-1107	Guide bracket	1	
19	100-1060	Screw	2	
20	100-1108	Spring, compression	1	
21	100-1109	Adjusting screw, presser	1	
22	100-1110	Adjusting nut, presser	1	
23	100-1111	Presser foot, inside	1	
24	100-1112	Screw	1	
25	100-1113	Thread guide	1	
26	100-1114	Finger guard	1	
27	100-1115	Washer	1	

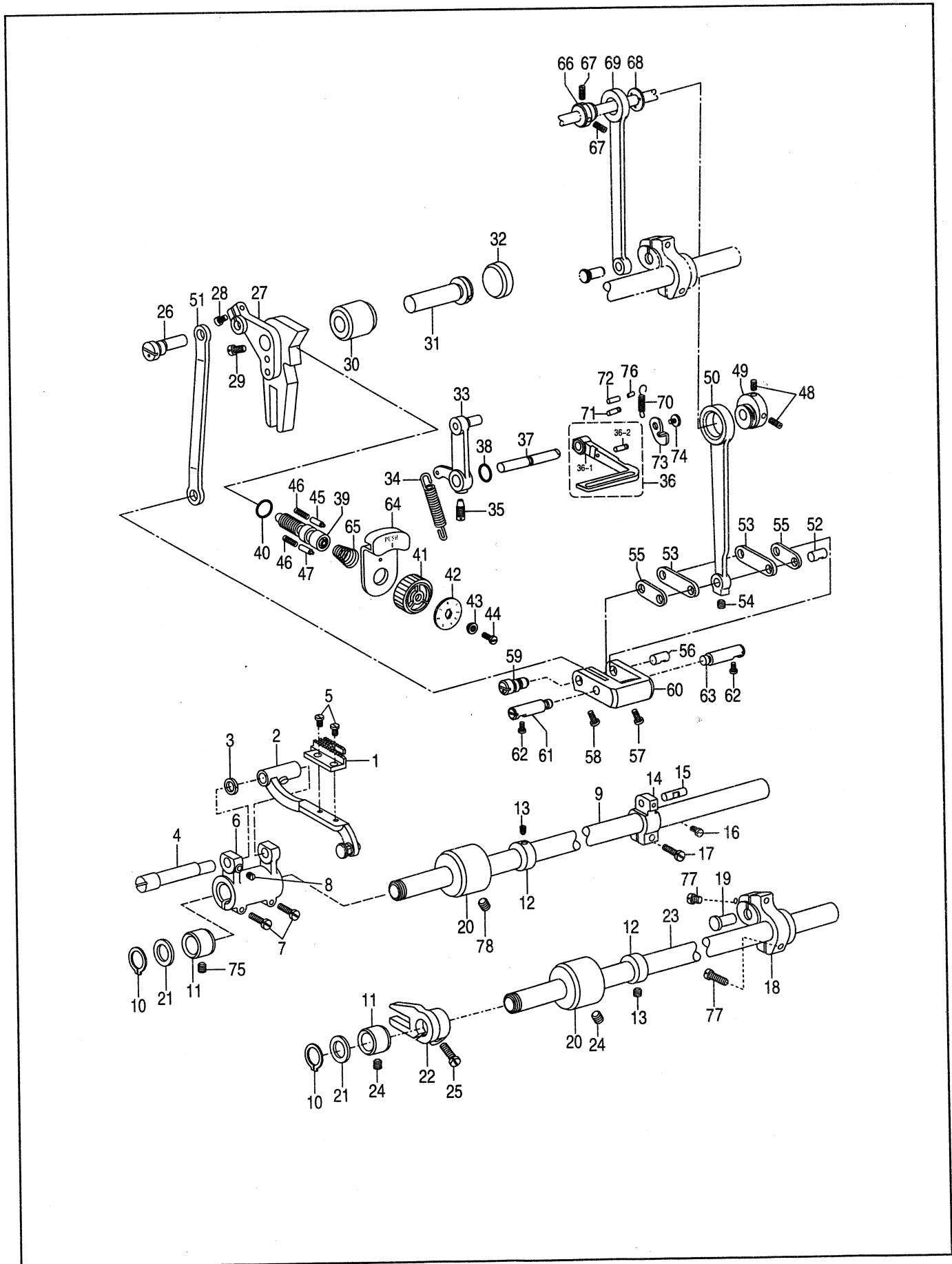
4. Feed mechanism



4. Feed mechanism

Line	Part Number	Description	Qt.	Notes
1	100-1116	Feed dog	1	
2	100-1117	Feed bar	1	
3	100-1118	Washer	1	
4	100-1119	Shaft	1	
5	100-1120	Screw	2	
6	100-1121	Feed rock arm	1	
7	100-1122	Screw	2	
8	100-1123	Screw	1	
9	100-1124	Feed shaft	1	
10	100-1125	Retaining ring	2	GB894.1 15
11	100-1126	Bush, L	2	
12	100-1057	Collar	2	
13	400-1105	Set screw	4	
14	100-1127	Feed rocker arm	1	
15	100-1128	Stud	1	
16	100-1129	Set screw	1	
17	400-1027	Screw	1	
18	100-1130	Feed lifting arm	1	
19	100-1131	Pin	1	
20	100-1132	Bush, M	2	
21	100-1133	Washer	2	
22	100-1134	Feed lifting arm	1	
23	100-1135	Shaft	1	
24	100-1120	Screw	2	
25	400-1027	Screw	1	
26	100-1136	Connecting stud	1	
27	100-1137	Feed regulator	1	
28	100-1138	Screw, L	1	
29	100-1139	Screw, S	1	
30	100-1140	Bush	1	
31	100-1141	Shaft	1	
32	100-1142	Rubber cap	1	
33	100-1143	Pin assy. Lever	1	
34	100-1144	Spring, extension	1	
35	100-1145	Screw	1	
36	100-1146	Reverse stitching lever assy.	1	
36-1	100-1147	Reverse stitching lever	1	
36-2	100-1148	Spring hook pin	1	
37	100-1149	Shaft	1	
38	100-1150	O ring	1	6.3X1.8G GB3452.1-92
39	100-1151	Adjusting screw	1	
40	100-1152	O ring	1	14X2.4
41	100-1153	Stitch length dial	1	
42	100-1154	Stitch length plate	1	
43	100-1155	Support bush	1	

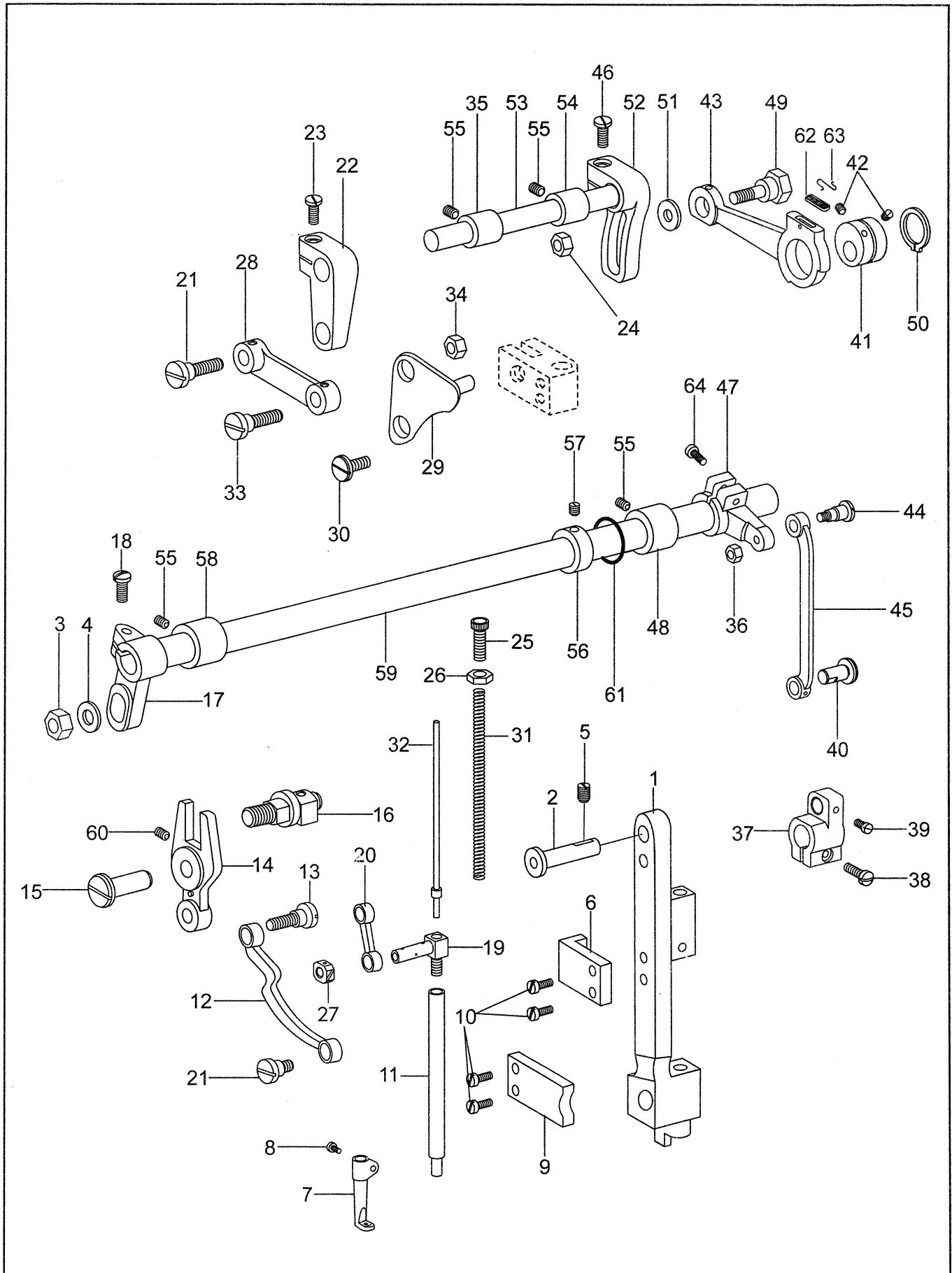
4. Feed mechanism



4. Feed mechanism

Line	Part Number	Description	Qt.	Notes
44	100-1156	Screw	1	
45	100-1157	Positioning pin	1	
46	100-1158	Spring	2	
47	100-1159	Stopper pin	1	
48	100-1160	Set screw	3	
49	100-1161	Feed cam	1	
50	100-1162	Feed connecting rod	1	
51	100-1163	Connecting rod	1	
52	100-1164	Stud	1	
53	100-1165	Link	2	
54	100-1129	Set screw	1	
55	100-1166	Link	2	
56	100-1167	Shaft	1	
57	100-1168	Screw	1	
58	100-1169	Screw	1	
59	100-1170	Shaft	1	
60	100-1171	Feed regulator crank	1	
61	100-1172	Pin shaft, L	1	
62	400-1027	Screw	2	
63	100-1173	Pin shaft, R	1	
64	100-1174	Stopper	1	
65	100-1175	Spring	1	
66	100-1176	Eccentric wheel	1	
67	100-1160	Screw	3	
68	100-1177	Holder	1	
69	100-1178	Feed lifting rod	1	
70	100-1179	Spring	1	
71	100-1180	Spring hook	1	
72	100-1181	Pin	1	
73	100-1182	Plate	1	
74	100-1183	Screw	1	
75	100-1184	Screw	1	
76	100-1185	Pin shaft	1	
77	100-1186	Screw	1	
78	100-1060	Screw	1	

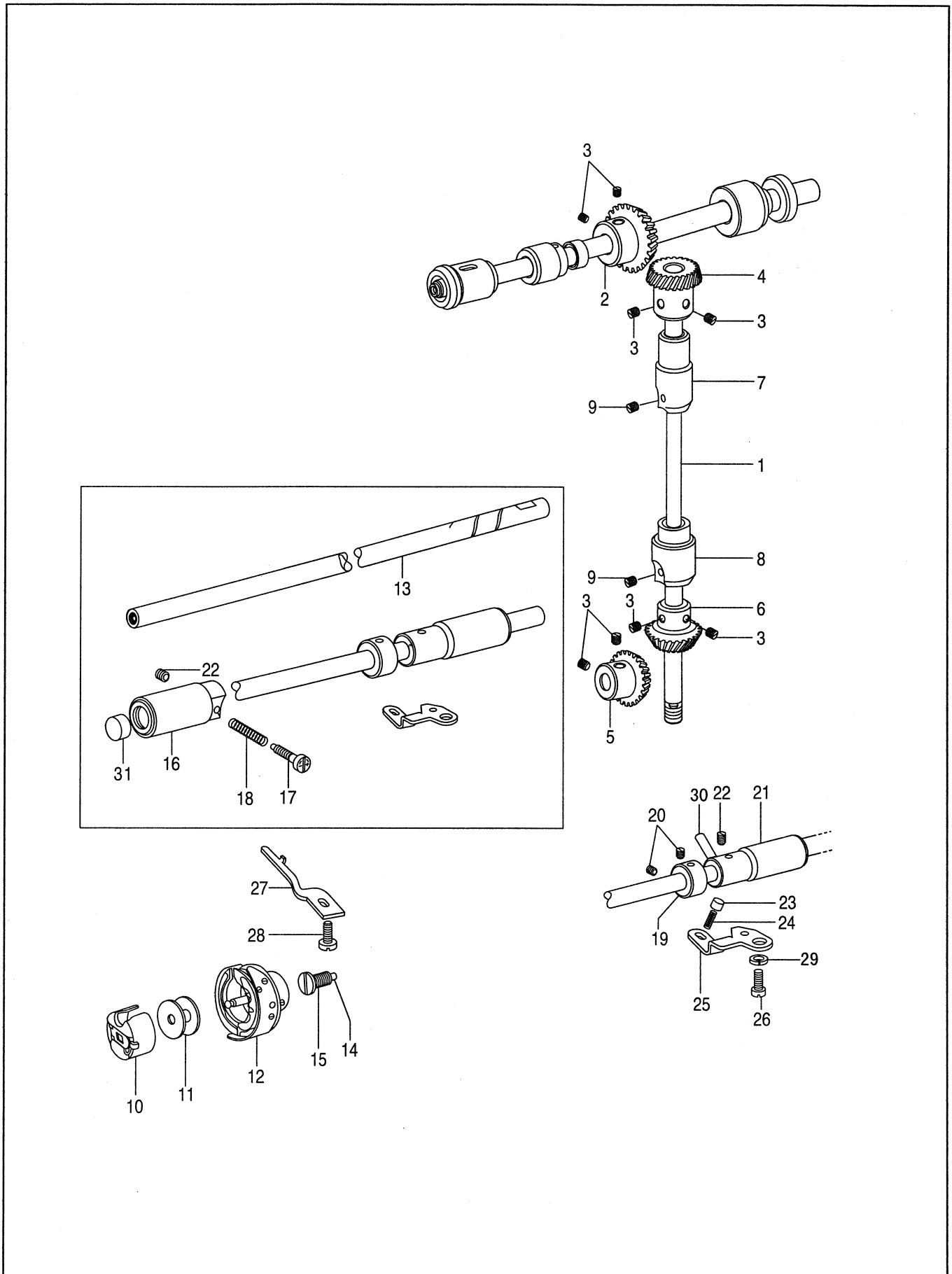
5. Upper feed mechanism



5. Upper feed mechanism

Line	Part Number	Description	Qt.	Notes
1	100-1187	Needle bar rocking frame	1	
2	100-1188	Shaft, n/b rocking frame	1	
3	100-1189	Nut	1	
4	100-1190	Washer	1	GB/T95 6
5	100-1060	Screw	1	
6	100-1191	Guider	1	
7	100-1192	Walking foot	1	
8	100-1027	Screw	1	
9	100-1193	block	1	
10	100-1123	Screw	4	
11	100-1194	Presser bar, walking foot	1	
12	100-1195	Link	1	
13	100-1196	Screw	1	
14	100-1197	Crank	1	
15	100-1198	Pin shaft	1	
16	100-1199	Stud shaft assy.	1	
17	100-1200	Feed rocking arm crank, L	1	
18	100-1201	Screw	2	
19	100-1202	Connector	1	
20	100-1203	Link	1	
21	100-1204	Screw	2	
22	100-1205	Feed lifting arm crank, L	1	
23	100-1206	Screw	1	
24	100-1207	Nut	1	
25	100-1208	Screw	1	
26	100-1209	Nut	1	
27	100-1210	Block	1	
28	100-1211	Link	1	
29	100-1212	Crank	1	
30	100-1213	stud	1	
31	100-1214	Spring, compression	1	
32	100-1215	Guide bar	1	
33	100-1216	Screw	1	
34	100-1217	Nut	1	
35	100-1218	Bush, L	1	
36	100-1219	Nut	1	
37	100-1220	Feed rocker arm	1	
38	100-1122	Screw	1	
39	100-1129	Set screw	1	
40	100-1221	Stud	1	
41	100-1222	Eccentric wheel	1	
42	400-1203	Screw	2	
43	100-1223	Connecting rod	1	
44	100-1224	Shoulder screw	1	
45	100-1225	Connecting rod	1	
46	100-1226	Shoulder screw	1	
47	100-1227	Feed rocking arm crank, R	1	
48	100-1228	Bush, M	1	
49	100-1229	Screw	1	
50	100-1230	Retaining ring, C	1	GB894.1 25
51	100-1231	Washer	1	
52	100-1232	Feed arm	1	
53	100-1233	Feed lifting shift	1	
54	100-1234	Bush, R	1	
55	100-1235	Screw	3	
56	100-1057	Collar	1	
57	400-1105	Screw	2	
58	100-1236	Bush, L	1	
59	100-1237	Upper feed shift	1	
60	100-1238	Screw	1	
61	100-1239	O ring	1	
62	100-1240	Oil felt	1	
63	100-1241	Spring	1	
64	100-1242	Screw	1	

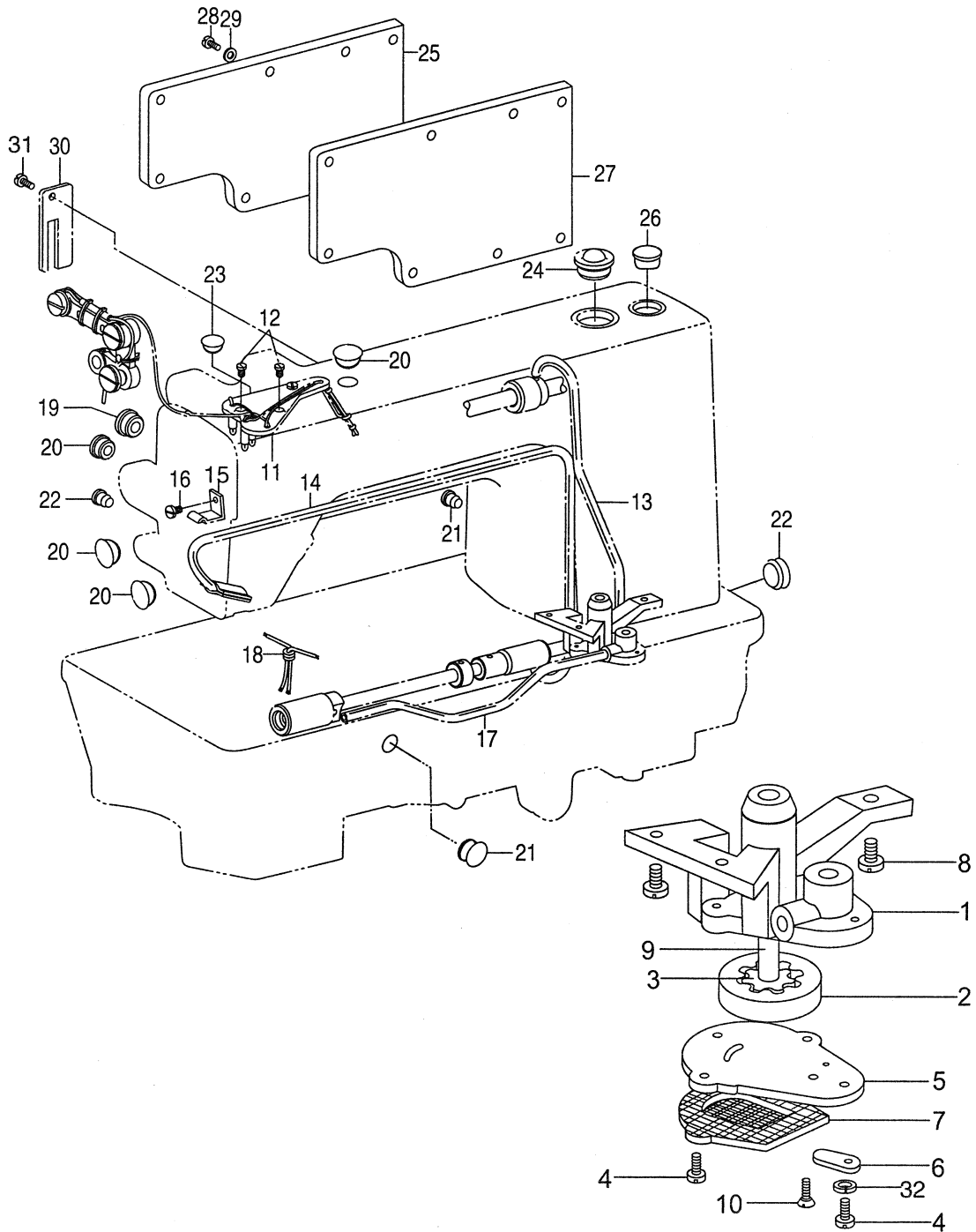
6. Hook mechanism



6. Hook mechanism

Line	Part Number	Description	Qt.	Notes
1	100-1243	Vertical shaft	1	
2	100-1244	Bevel gear, upper shaft	1	
3	400-1203	Set screw	8	
4	100-1245	Bevel gear, vertical shaft, U	1	
5	100-1246	Bevel gear, lower shaft	1	
6	100-1247	Bevel gear, vertical shaft, L	1	
7	100-1248	Bush, vertical shaft, U	1	
8	100-1249	Bush, vertical shaft, L	1	
9	100-1060	Screw	2	
10	100-1250	Bobbin case	1	
11	100-1251	bobbin	1	
12	100-1252	Hook assy.	1	
13	100-1253	Lower shaft	1	
14	100-1254	Filter	1	
15	100-1255	Screw	1	
16	100-1256	Bush, lower shaft, L	1	
17	100-1257	Adjusting screw, oil	1	
18	100-1258	Adjusting spring	1	
19	100-1259	Collar	1	
20	100-1184	Screw	2	
21	100-1260	Bush, lower shaft, R	1	
22	100-1067	Screw	2	
23	100-1261	Plunger	1	
24	100-1262	Spring	1	
25	100-1263	Holder plate	1	
26	100-1264	Screw	1	
27	100-1265	B/case holder position bracket	1	
28	100-1266	Screw	1	
29	100-1267	Washer	1	GB93 6
30	100-1268	Oil tube	1	
31	100-1269	Oil seal	1	

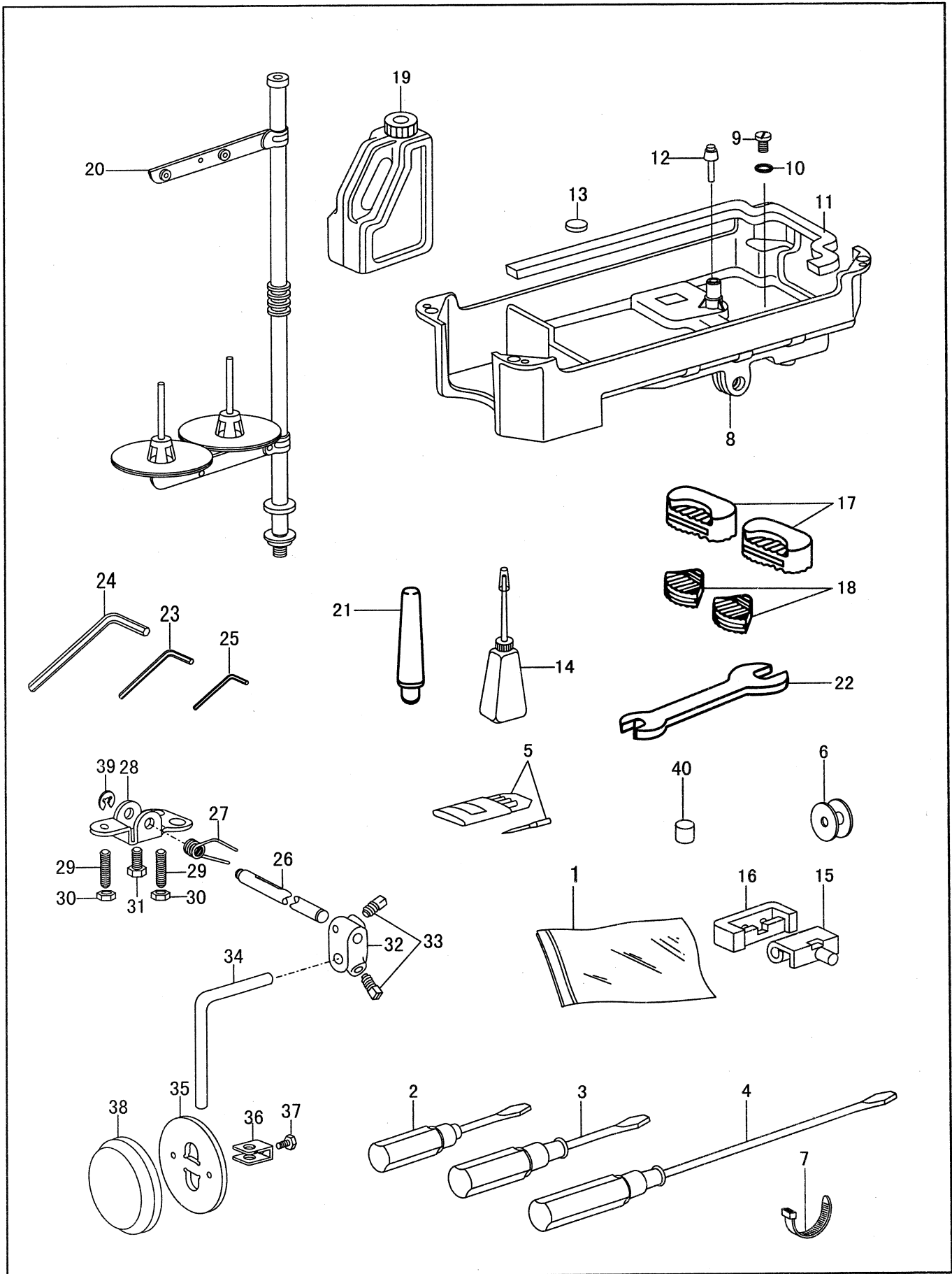
7. Lubrication mechanism



7. Lubrication mechanism

Line	Part Number	Description	Qt.	Notes
1	100-1270	Pump body	1	
2	100-1271	Big gear, pump	1	
3	100-1272	Small gear, pump	1	
4	100-1273	Screw	3	GB/T67 M3x10
5	100-1274	Cover	1	
6	100-1275	Throat plate	1	
7	100-1276	Filter set	1	
8	100-1277	Screw	3	
9	100-1278	Shaft	1	
10	100-1279	Screw	2	GB/T68 M3x10
11	100-1280	Setting plate	1	
12	100-1112	Screw	2	
13	100-1281	Oil tube, U	1	
14	100-1282	Tube assy.	1	
15	100-1283	Tube carrier	1	
16	100-1284	Screw	1	
17	100-1285	Oil tube, L	1	
18	100-1286	Oil wick	1	
19	100-1287	Rubber cap	1	
20	100-1288	Rubber cap	4	
21	100-1289	Rubber cap	2	
22	100-1290	Rubber cap	1	
23	100-1291	Rubber cap	1	
24	100-1292	Oil gauge window	1	
25	100-1293	Back cover	1	
26	100-1294	Rubber cap	1	
27	100-1295	Packing	1	
28	100-1054	Screw	8	
29	200-1377	Washer	8	
30	100-1296	Oil stopper	1	
31	100-1297	Screw	1	
32	100-1298	Washer	1	GB93 4

8. Accessories



8. Accessories

Line	Part Number	Description	Qt.	Notes
1	100-1299	Accessory bag	1	
2	100-1300	Screw driver, S	1	
3	100-1301	Screw driver, M	1	
4	100-1302	Screw driver, L	1	
5	100-1078	Needle	4	135X17#23
6	100-1251	Bobbin	3	
7	100-1303	Band	3	
8	100-1304	Oil pan	1	
9	200-1371	Screw	1	
10	100-1305	Washer	1	
11	100-1306	Packing, oil pan	1	
12	100-1307	Lifter bar, knee	1	
13	100-1308	Magnet	1	
14	100-1309	Oil pot	1	
15	100-1310	Head hinge	2	
16	100-1311	Cushion, head hinge	2	
17	100-1312	Head cushion, L	2	
18	100-1313	Head cushion, S	2	
19	100-1314	Oil tank	1	
20	100-1315	Thread stand assy.	1	
21	100-1316	Head rest	1	
22	100-1317	Wrench	1	
23	100-1318	Wrench, 2mm	1	
24	100-1319	Wrench, 3mm	1	
25	100-1320	V-belt	1	
26	100-1321	Lifter shaft	1	
27	100-1322	Spring	1	
28	100-1323	Bracket	1	
29	100-1324	Adjusting screw	2	
30	100-1325	Adjusting nut	2	
31	100-1326	Screw	1	
32	100-1327	Bracket	1	
33	100-1328	Screw	1	GB/T5781 M8x12 M8x20
34	100-1329	Lifter bar	1	
35	100-1330	Knee lifter plate	1	
36	100-1331	Stopper	1	
37	100-1332	Screw	1	
38	100-1333	Cover, K-lifter plate	1	
39	100-1334	Retaining ring	1	GB896 9
40	100-1335	Safety switch magnet	1	φ8x3.5