

*Since 1898*  
**CONSEW**®

CONSOLIDATED SEWING MACHINE CORP.

— INDUSTRIAL SEWING & CUTTING EQUIPMENT

# PARTS LIST & INSTRUCTION

# 347R-1A-1

*Since 1898*  
**CONSEW**®

CONSOLIDATED SEWING MACHINE CORP.

— INDUSTRIAL SEWING & CUTTING EQUIPMENT

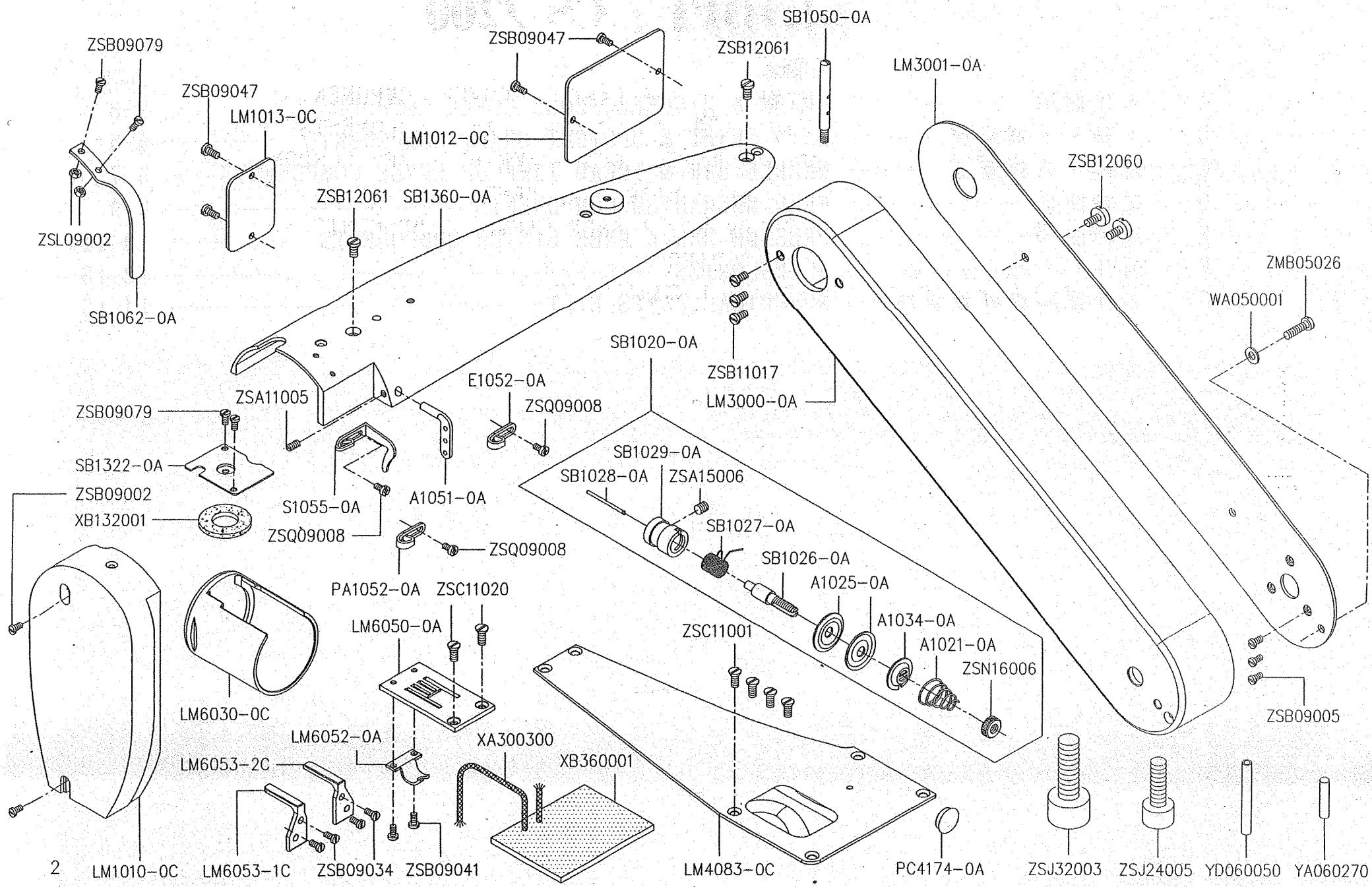
400 VETERANS BLVD, CARLSTADT, NJ 07072



# MODEL :

索引	INDEX	PAGE
A、 本體關係 -----	FRAME & MISCELLANEOUS COVER COMPONENTS -----	2-3
B、 上軸、下軸關係 -----	MAIN SHAFT & UPRIGHT SHAFT COMPONENTS -----	4-5
C、 針棒、天秤關係 -----	NEEDLE BAR & TREAD TAKE-UP LEVER COMPONENTS ---	6-7
D、 送料關係-----	FEED MECHANISM COMPONENTS -----	8-9
E、 押腳關係-----	PRESSER BAR & KNEE LIFTER COMPONENTS -----	10-11
F、 附件 -----	ACCESSORIES -----	12-13
G、 零件號碼與頁數對照 --	NUMERICAL PARTS-LIST -----	14-15

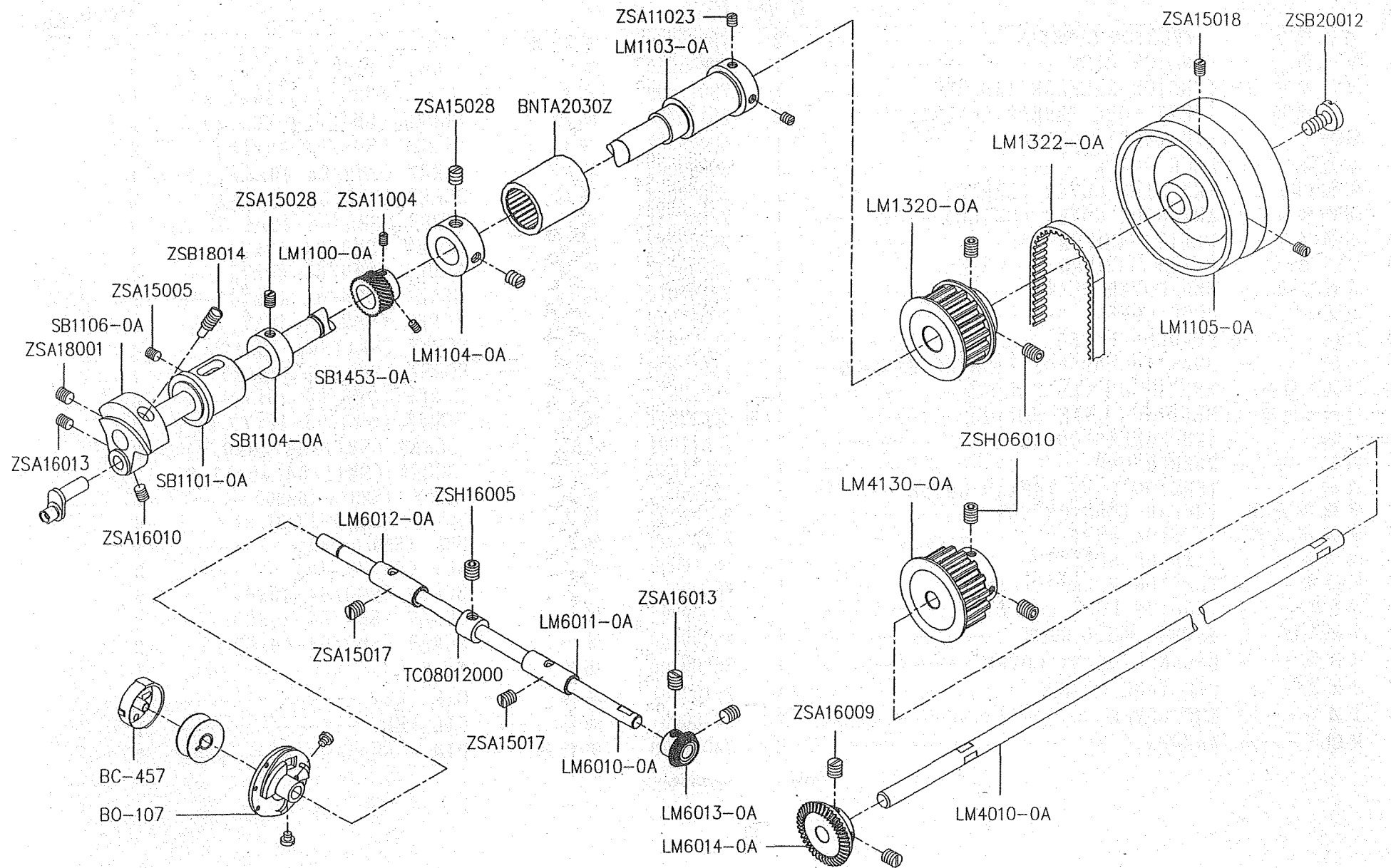
A. 本體關係 FRAME & MISCELLANEOUS COVER COMPONENTS



A、 本體關係 FRAME & MISCELLANEOUS COVER COMPONENTS

零件號碼 Part No	零件名稱 Name of Part	件數 Q, TY	零件號碼 Part No	零件名稱 Name of Part	件數 Q, TY	備 Rema
A1021-0A	調整彈簧 -- TENSION SPRING	2	YD060050	平行銷 --- PIN	2	
A1025-0A	壓線盤 ---- TENSION DISK	1	ZMB05026	螺絲 ---- SCREW (M5x0.8-59.5)	1	
A1034-0A	線調整壓盤 TENSION RELEASE WASHER	1	ZSA11005	螺絲 ---- SCREW (SM11/64-40x5.5)	1	
A1051-0A	三孔線掛 -- THREE HOLE THREAD EYELET PIN	2	ZSA15006	螺絲 ---- SCREW (SM15/64-28x12)	1	
E1052-0A	線掛 ----- ARM THREAD GUIDE	1	ZSB09002	螺絲 ---- SCREW (SM9/64-40x10)	2	
LM1010-0C	面板蓋 ---- FACE PLATE	1	ZSB09005	螺絲 ---- SCREW (SM9/64-40x5)	1	
LM1012-0C	側板(B) --- ARM SIDE COVER (LARGE)	1	ZSB09034	螺絲 ---- SCREW (SM9/64-40x10)	2	
LM1013-0C	側面板 --- ARM SIDE COVER (SMALL)	1	ZSB09041	螺絲 ---- SCREW (SM9/64-40x4.5)	2	
LM3000-0A	皮帶蓋 ---- PULLEY COVER	1	ZSB09047	螺絲 ---- SCREW (SM9/64-40x7)	4	
LM3001-0A	皮帶蓋 ---- PULLEY COVER	1	ZSB09047	螺絲 ---- SCREW (SM9/64-40x7)	4	
LM4083-0C	底座蓋板 -- BED COVER PLATE	1	ZSB09079	螺絲 ---- SCREW (SM9/64-40x7)	1	
LM6030-0C	釜蓋 ----- HOOK COVER	1	ZSB09079	螺絲 ---- SCREW (SM9/64-40x7)	1	
LM6050-0A	針板 ----- NEEDLE PLATE	1	ZSB11017	螺絲 ---- SCREW (SM11/64-40x12)	4	
LM6052-0A	釜擋 ----- BOBBIN CASE POSITIONING FINGER	1	ZSB12060	螺絲 ---- SCREW (SM3/16-32x12)	1	
LM6053-1C	針板支持板 -- NEEDLE PLATE HOLDER	1	ZSB12061	螺絲 ---- SCREW (SM9/64-40x7)	3	
LM6053-2C	針板支持板 -- NEEDLE PLATE HOLDER	1	ZSB12061	螺絲 ---- SCREW (SM9/64-40x7)	3	
PA1052-0A	線掛 ----- ARM THREAD GUIDE	1	ZSC11001	螺絲 ---- SCREW (SM11/64-40x6.5)	2	
PC4174-0A	油塞 ----- RUBBER OAP	1	ZSC11020	螺絲 ---- SCREW (SM11/64-40x11.3)	2	
S1055-0A	線掛 ----- TENSION POST THREAD GUIDE	1	ZSJ24005	螺絲 ---- SCREW (SM3/8-16x30)	2	
SB1020-0A	壓線調整組 THREAD TENSION SET	1	ZSJ32003	螺絲 ---- SCREW (SM1/2-12x31.2)	4	
SB1026-0A	調整螺絲棒 TENSION POST	1	ZSL09002	螺帽 ----- NUT (SM9/64-40)	1	
SB1027-0A	吊線彈簧 --- TAKE UP SPRING	1	ZSN16006	螺帽 ----- NUT (SM1/4-40)	3	
SB1028-0A	鬆線銷 --- TENSION RELEASE PIN	1	ZSQ09008	螺絲 ---- SCREW (SM9/64-40x6)	2	
SB1029-0A	彈簧座 ---- TENSION POST ROCKET	1	ZSQ09008	螺絲 ---- SCREW (SM9/64-40x6)	2	
SB1050-0A	車頭線柱 --- NEEDLE THREAD GUIDE	1	ZSQ09008	螺絲 ---- SCREW (SM9/64-40x6)	2	
SB1062-0A	天秤蓋 ---- BALANCE CRANK COVER	1	XA300300	油線 ---- WICK	1	
SB1322-0A	油槽蓋 ---- OIL TANK COVER	1	XB132001	油棉 ---- OIL FELT	1	
SB1360-0A	上蓋 ---- TOP COVER	1	XB360001	油棉 ---- OIL FELT	1	
WA050001	墊圈 ----- WASHER	2	YA060270	平行銷 --- PIN	2	

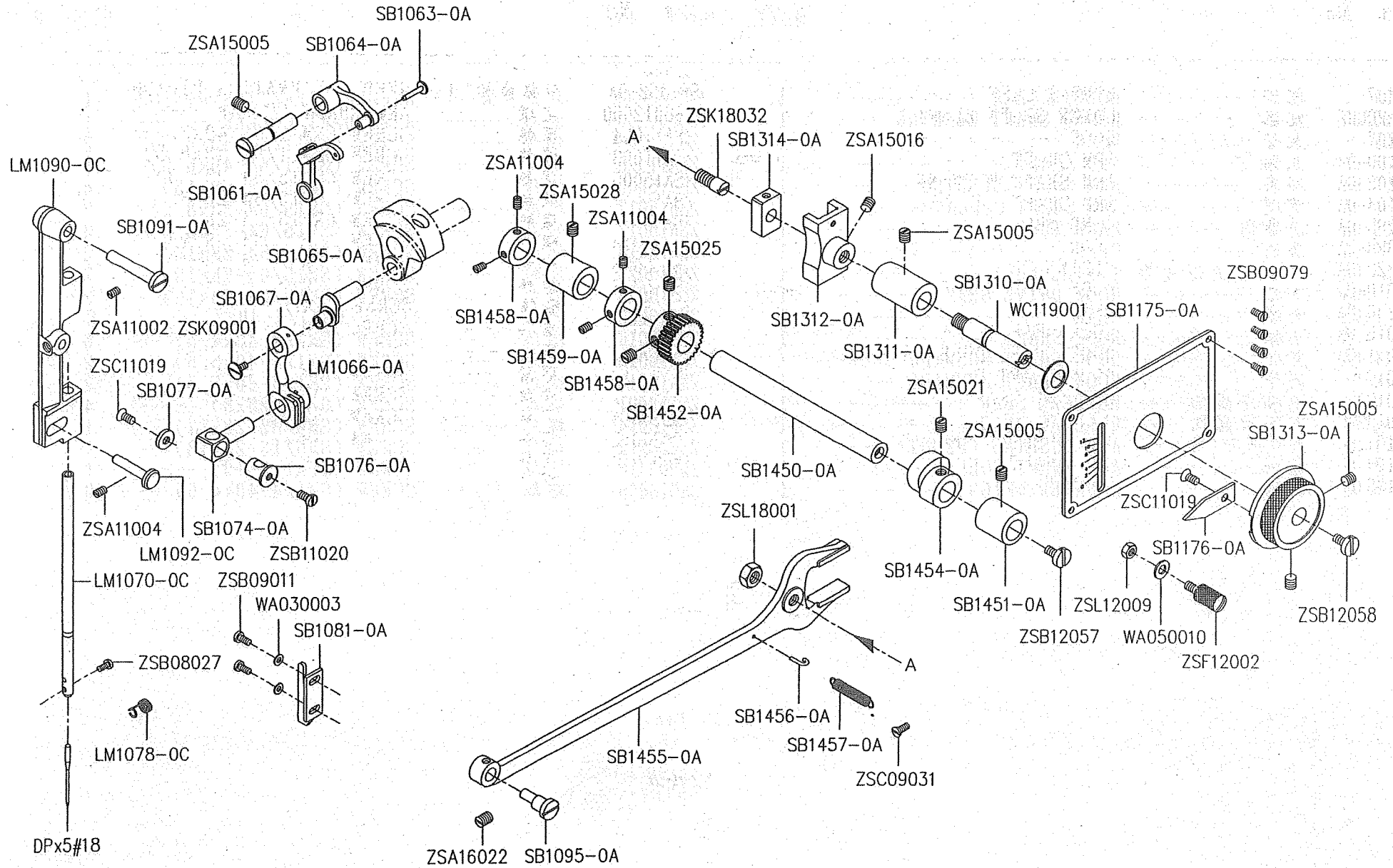
# B. 上軸、下軸關係 MAIN SHAFT & UPRIGHT SHAFT COMPONENTS



B、 上軸、下軸關係 MAIN SHAFT & UPRIGHT SHAFT COMPONENTS

零件號碼 Part No	零件名稱	Name of Part	件數 Q, TY	零件號碼 Part No	零件名稱	Name of Part	件數 Q, TY
BC-457	梭殼	BOBBIN CASE	1	SB1453-0A	針振齒輪(小)	NEEDLE VIBRATION PINION	1
BNTA2030Z	培林	LOWER SHAFT BEARING	1	TC08012000	定環	ARM SHAFT COLLAR	1
BO-107	大釜	HOOK	1	ZSA11004	螺絲	SCREW (SM11/64-40x3.5)-	2
LM1100-0A	上軸	ARM SHAFT	1	ZSA11023	螺絲	SCREW (SM11/64-40x6.5)-	1
LM1103-0A	軸套	ARM SHAFT BUSHING	1	ZSA15005	螺絲	SCREW (SM15/64-28x13) -	4
LM1104-0A	定環	ARM SHAFT COLLAR	1	ZSA15017	螺絲	SCREW (SM15/64-28x8.5)-	3
LM1105-0A	皮帶輪	HAND WHEEL	1	ZSA15017	螺絲	SCREW (SM15/64-28x8.5)-	3
LM1320-0A	齒輪	GEAR	1	ZSA15018	螺絲	SCREW (SM15/64-28x19) -	2
LM1322-0A	PU鋼絲齒形皮帶	TINING BELT	1	ZSA15028	螺絲	SCREW (SM15/64-28x19) -	2
LM4010-0A	下軸	HOOK DRIVE SHAFT	1	ZSA15028	螺絲	SCREW (SM15/64-28x19) -	2
LM4130-0A	齒輪	GEAR	1	ZSA16009	螺絲	SCREW (SM1/4-40x7) ----	6
LM6010-0A	釜軸	HOOK SHAFT	1	ZSA16010	螺絲	SCREW (SM1/4-40x4.5) --	6
LM6011-0A	套管	HOOK SHAFT BUSHING	1	ZSA16013	螺絲	SCREW (SM1/4-40x5.5) --	2
LM6012-0A	套管	HOOK SHAFT BUSHING	1	ZSA16013	螺絲	SCREW (SM1/4-40x5.5) --	2
LM6013-0A	下軸傘齒輪	HELLCAL GEAR	1	ZSA18001	螺絲	SCREW (9/32-28x8) -----	4
LM6014-0A	下軸傘齒輪	HELLCAL GEAR	1	ZSB18014	螺絲	SCREW (SM9/32-28x17) --	1
SB1101-0A	大心套管(前)	ARM BUSHING (FRONT)	1	ZSB20012	螺絲	SCREW (SM5/16-24x13) --	1
SB1104-0A	定環	ARM SHAFT COLLAR	1	ZMH06010	螺絲	SCREW (M6x1.0-10) -----	1
SB1106-0A	凸輪	COUNTER WEIGHT	1	ZSH16005	螺絲	SCREW (SM1/4-40x4.5) --	6

### C. 針棒、天秤關係 NEEDLE BAR & TREAD TAKE-UP LEVER COMPONENTS

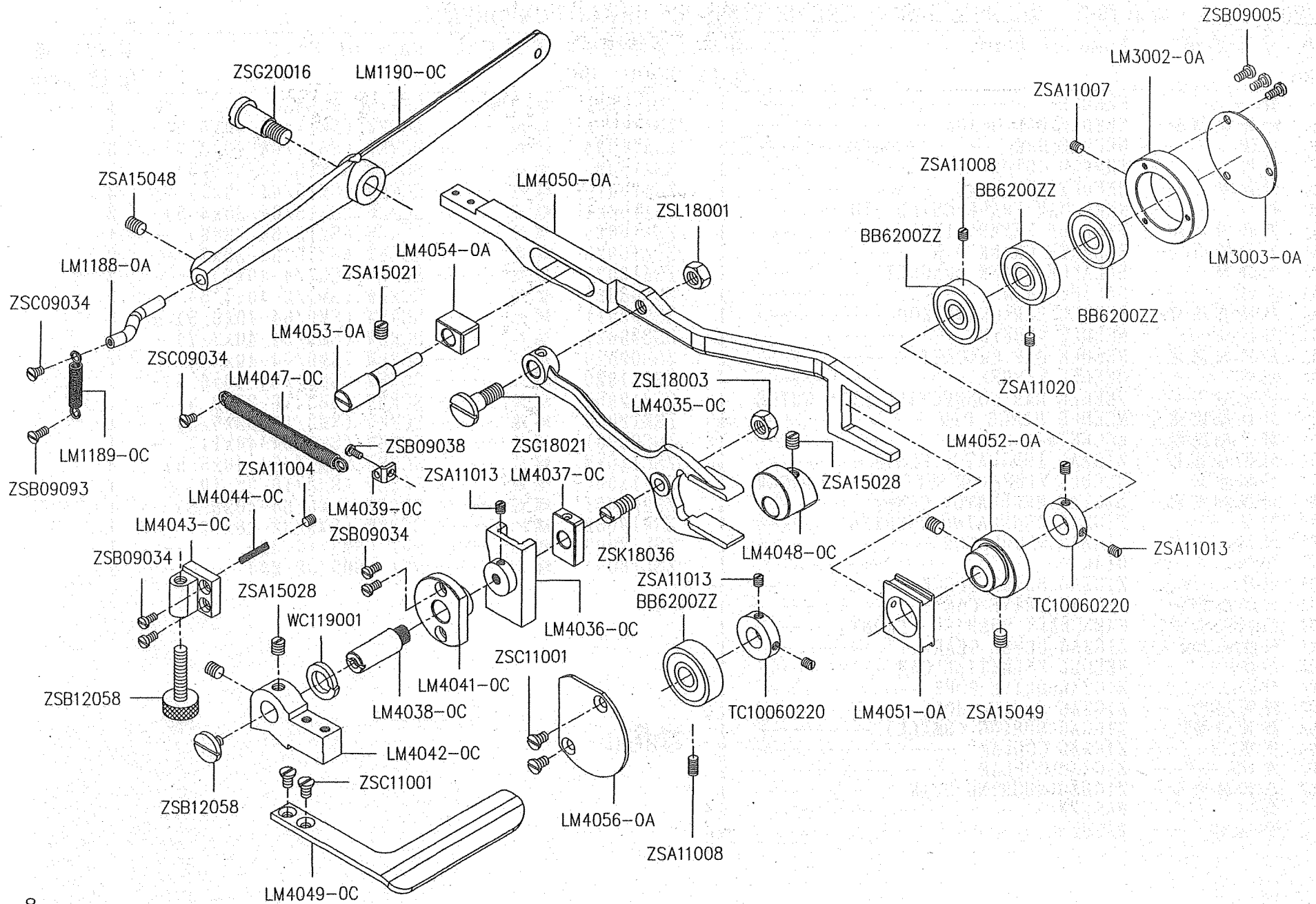




C、 針棒、天秤關係 NEEDLE BAR & TREAD TAKE-UP LEVER COMPONENTS

零件號碼 Part No	零件名稱 Name of Part	件數 Q, TY	零件號碼 Part No	零件名稱 Name of Part	件數 Q, TY	備 備
DPx5#18	針	1	WC119001	盤形墊圈 - SPRING WASHER	1	
LM1066-0A	針棒連結軸	1	ZSA11002	螺絲 - SCREW (SM11/64-40x6.5)	1	
LM1070-0C	針棒	1	ZSA11004	螺絲 - SCREW (SM11/64-40x3.5)	3	
LM1078-0C	線掛	1	ZSA15005	螺絲 - SCREW (SM15/64-28x13)	2	
LM1090-0C	針柱座	1	ZSA15016	螺絲 - SCREW (SM15/64-28x7)	3	
LM1092-0C	銷	1	ZSA15021	螺絲 - SCREW (SM15/64-28x4.5)	2	
SB1061-0A	天秤固定銷	1	ZSA15025	螺絲 - SCREW (SM15/64-28x6)	1	
SB1063-0A	天秤鉚釘	1	ZSA15028	螺絲 - SCREW (SM15/64-28x7)	2	
SB1064-0A	天秤架	1	ZSA16022	螺絲 - SCREW (SM1/4-40x7)	2	
SB1065-0A	天秤	1	ZSB08027	螺絲 - SCREW (SM1/8-40x4.5)	2	
SB1067-0A	針棒連結桿	1	ZSB09011	螺絲 - SCREW (SM9/64-40x6.5)	8	
SB1074-0A	針棒鉗	1	ZSB09021	螺絲 - SCREW (SM9/64-40x7.7)	1	
SB1076-0A	針棒鉗固定	1	ZSB09079	螺絲 - SCREW (SM9/64-40x7)	1	
SB1077-0A	墊圈	1	ZSB11020	螺絲 - SCREW (SM11/64-40x6.5)	1	
SB1081-0A	固定板	1	ZSB12057	螺絲 - SCREW (SM3/16-28x9.5)	1	
SB1091-0A	針柱座固定	1	ZSB12058	螺絲 - SCREW (SM3/16-32x6.5)	1	
SB1095-0A	針落調整螺	1	ZSC09031	螺絲 - SCREW (SM9/64-40x11)	1	
SB1175-0A	針振目盛板	1	ZSC11019	螺絲 - SCREW (SM11/64-40x5.5)	4	
SB1176-0A	針振指針	1	ZSF12002	螺絲 - SCREW (SM3/16-32x10)	1	
SB1310-0A	針振調整軸	1	ZSK09001	螺絲 - SCREW (SM9/64-40x8.5)	1	
SB1311-0A	套管	1	ZSK18032	螺絲 - SCREW (SM9/32-28x12)	1	
SB1312-0A	針振調節器	1	ZSL12009	螺帽 - NUT (SM3/16-32)	1	
SB1313-0A	旋鈕	1	ZSL18001	螺帽 - NUT (SM9/32-28)	1	
SB1314-0A	滑塊	1				
SB1450-0A	針振驅動組	1				
SB1451-0A	凸輪軸套管	1				
SB1452-0A	針振齒輪(大)	1				
SB1454-0A	凸輪	1				
SB1455-0A	針振三叉	1				
SB1456-0A	彈簧掛勾	1				
SB1457-0A	拉伸彈簧	1				
SB1458-0A	定環	2				
SB1458-0A	定環	2				
SB1459-0A	凸輪軸套管	1				
WA030003	墊圈	2				
WA050010	平盤圈	2				

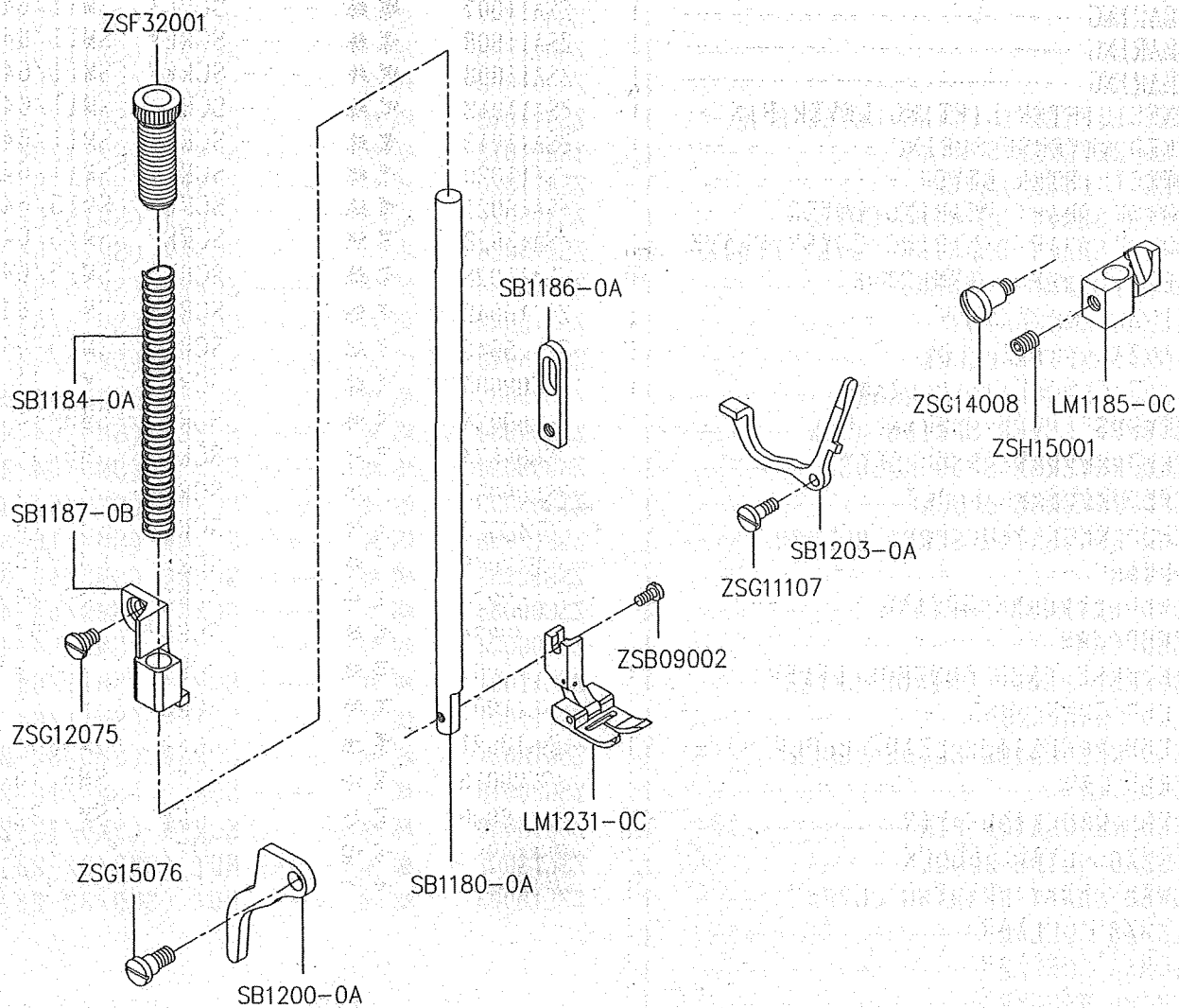
# D. 送料關係 FEED MECHANISM COMPONENTS



D、 送料關係 FEED MECHANISM COMPONENTS

零件號碼 Part No	零件名稱	Name of Part	件數 Q, TY	零件號碼 Part No	零件名稱	Name of Part	件數 Q, TY	備 Rem
BB6200ZZ	軸承	BEARING	1	ZSA11004	螺絲	SCREW (SM11/64-40x3.5)	2	
BB6200ZZ	軸承	BEARING	1	ZSA11007	螺絲	SCREW (SM11/64-40x8)	2	
BB6200ZZ	軸承	BEARING	1	ZSA11008	螺絲	SCREW (SM11/64-40x5.5)	2	
BB6200ZZ	軸承	BEARING	1	ZSA11008	螺絲	SCREW (SM11/64-40x5.5)	2	
LM1188-0A	連接板銷	KNEE LIFTER LIFTING LEVER PIN	1	ZSA11013	螺絲	SCREW (SM11/64-40x6)	2	
LM1189-0C	拉伸彈簧	FEED REVERSE SPRING	1	ZSA11013	螺絲	SCREW (SM11/64-40x6)	2	
LM1190-0C	押棒提升桿	KNEE LIFTER LEVER	1	ZSA11020	螺絲	SCREW (SM11/64-40x11)	1	
LM3002-0A	軸承固定座	LOWER SHAFT BEARING COVER	1	ZSA15021	螺絲	SCREW (SM15/64-28x4.5)	2	
LM3003-0A	軸承固定座蓋	LOWER SHAFT BEARING COVER PLATE	1	ZSA15028	螺絲	SCREW (SM15/64-28x7)	2	
LM4035-0C	倒縫連桿	FEED FORKED CONNECTOR	1	ZSA15028	螺絲	SCREW (SM15/64-28x7)	2	
LM4036-0C	針振調節器	ZIGZAG REGULATOR	1	ZSA15048	螺絲	SCREW (SM15/64-28x5)	1	
LM4037-0C	滑塊	ZIGZAG SLIDE BLOCK	1	ZSA15049	螺絲	SCREW (SM15/64-28x12)	2	
LM4038-0C	針振調整軸	ZIGZAG REGULATOR CRANK	1	ZSB09005	螺絲	SCREW (SM9/64-40x5)	1	
LM4039-0C	彈簧固定板	REVERSE LEVER SPRING HOOK	1	ZSB09034	螺絲	SCREW (SM9/64-40x10)	2	
LM4041-0C	倒縫支持座	FEED REVERSE STUD HOLDER	1	ZSB09034	螺絲	SCREW (SM9/64-40x10)	2	
LM4042-0C	倒縫叉口	FEED REVERSE BLOCK	1	ZSB09093	螺絲	SCREW (SM9/64-40x10)	2	
LM4043-0C	倒縫螺絲座	FEED REGULATOR SCREW HOLDER	1	ZSB12058	螺絲	SCREW (SM3/16-32x6.5)	1	
LM4044-0C	壓縮彈簧	SPRING	1	ZSB12058	螺絲	SCREW (SM3/16-32x6.5)	1	
LM4047-0C	拉伸彈簧	FEED REVERSE SPRING	1	ZSC09034	螺絲	SCREW (SM9/64-40x11)	1	
LM4048-0C	偏心輪	FEED CAM	1	ZSC09034	螺絲	SCREW (SM9/64-40x11)	1	
LM4049-0C	倒縫槓桿	REVERSE FEED CONTROL LEVER	1	ZSC11001	螺絲	SCREW (SM11/64-40x9)	2	
LM4050-0A	送料台	FEED CRANK ROD	1	ZSC11001	螺絲	SCREW (SM11/64-40x9)	2	
LM4051-0A	偏心軸套	FEED REGULATOR SLIDE BLOCK	1	ZSG18021	螺絲	SCREW (SM9/32-28x13.5)	1	
LM4052-0A	偏心輪	FEED CAM	1	ZSG20016	螺絲	SCREW (SM5/16-24x11)	1	
LM4053-0A	調整軸	FEED REGULATOR PIN	1	ZSK18036	螺絲	SCREW (SM9/32-28x10)	1	
LM4054-0A	滑塊	ZIGZAG SLIDE BLOCK	1	ZSL18001	螺帽	NUT (SM9/32-28)	1	
LM4056-0A	培林蓋	LOWER SHAFT BEARING COVER	1	ZSL18003	螺帽	NUT (SM9/32-28)	2	
TC10060220	定環	ZIGZAG COLLAR	1					
TC10060220	定環	ZIGZAG COLLAR	1					
WC119001	盤型墊圈	SPRING WASHER	1					

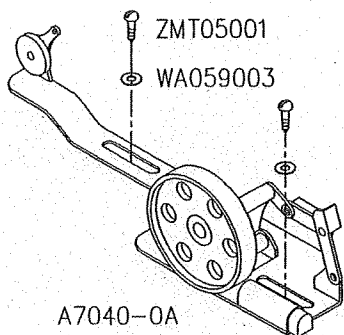
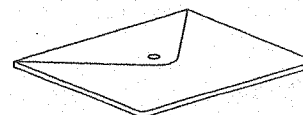
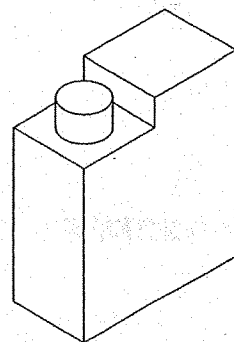
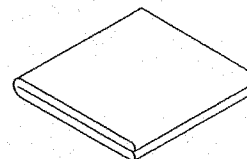
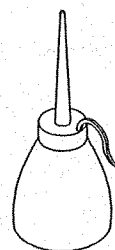
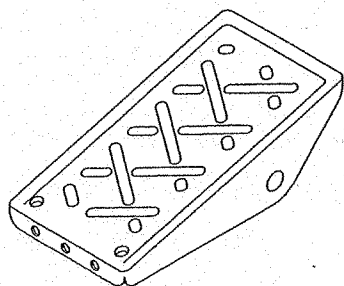
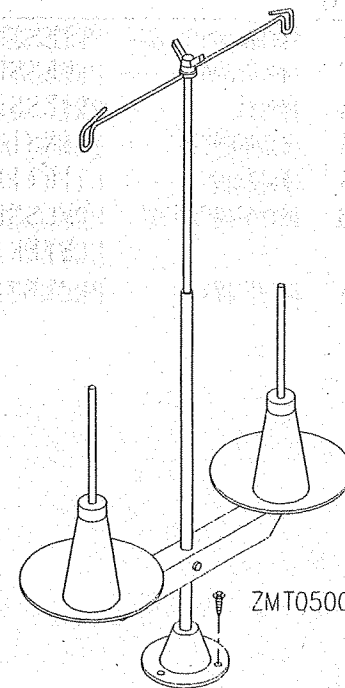
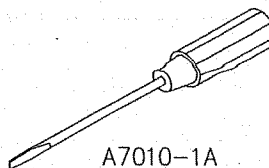
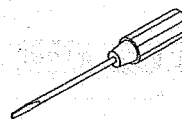
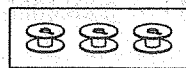
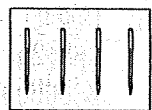
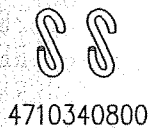
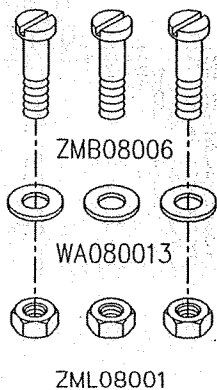
# E. 押脚關係 PRESSER BAR & KNEE LIFTER COMPONENTS



E、 押腳關係 PRESSER BAR & KNEE LIFTER COMPONENTS

零件號碼 Part No	零件名稱 Name of Part	件數 Q, TY	零件號碼 Part No	零件名稱 Name of Part	件數 Q, TY	備 Rem
LM1185-0C	押棒固定座- PRESSER BAR FIXED BASE -----	1	SB1203-0A	鬆線架 --- TENSION RELEASING LEVER	1	
LM1231-0C	押元組 ---- PRESSER FOOT -----	1	ZSB09002	螺絲 ----- SCREW (SM9/64-40x10) --	2	
SB1180-0A	押棒 ----- PRESSER BAR -----	1	ZSF32001	螺絲 ----- SCREW (SM1/2-28x43) ---	1	
SB1184-0A	壓縮彈簧 -- TENSION SPRING -----	1	ZSG11107	螺絲 ----- SCREW (SM11/64-40x7) --	1	
SB1186-0A	連接板 ---- LIFTING LEVER LINK -----	1	ZSG12075	螺絲 ----- SCREW (SM3/16-32x5) ---	1	
SB1187-0B	押棒固定座- PRESSER BAR LIFTING AND RELEASING LEVER BRACKET	1	ZSG14008	螺絲 ----- SCREW (SM7/32-32x5) ---	1	
SB1200-0A	提升桿 ---- PROMOTE SHAFT -----	1				

# F. 附件 ACCESSORIES



F、 附件 ACCESSORIES

零件號碼 Part No	零件名稱	Name of Part	件數 Q, TY	零件號碼 Part No	零件名稱	Name of Part	件數 Q, TY	備註 Remarks
4710340800	S字金具	S-PLUG	1	DPx5#18	針	NEEDLE	1	
4710341400	鎖	CHAIN	1	HB7006-0A	梭仔	BOBBIN	1	
A7000-0A	工具袋	ACCESSORY BAG	1	J7050-0A	線架組	THREAD STAND	1	
A7010-0A	螺絲起子(小)	SCREW DRIVER (SMALL)	1	WA059003	平墊圈	WASHER	2	
A7010-1A	螺絲起子(中)	SCREW DRIVER (MIDDLE)	1	WA080013	平墊圈	WASHER	4	
A7012-1A	油壺(中)	OILER (MIDDLE)	1	ZMB08006	螺絲	SCREW (M8x1.25-27)	3	
A7012-2A	油壺(大)	OILER (MIDDLE)	1	ZML08001	螺帽	NUT (M8x1.25)	1	
A7040-0A	捲線器組	BOBBIN WINDER ASSY.	1	ZMT05001	螺絲	SCREW	4	
B7070-1A	腳踏板	PEDAL ASSEMBLY	1	ZMT05001	螺絲	SCREW	4	
C7001-0A	車頭蓋	VINYL COVER	1					

G、 零件號碼與頁數對照 NUMERICAL PARTS-LIST

零件號碼 PARTS NO.	頁數 PAGE	零件號碼 PARTS NO.	頁數 PAGE	零件號碼 PARTS NO.	頁數 PAGE	零件號碼 PARTS NO.	頁數 PAGE	零件號碼 PARTS NO.	頁數 PAGE
4710340800	13	LM1013-0C	3	LM4042-0C	9	SB1026-0A	3	SB1310-0A	7
4710341400	13	LM1066-0A	7	LM4043-0C	9	SB1027-0A	3	SB1311-0A	7
A1021-0A	3	LM1070-0C	7	LM4044-0C	9	SB1028-0A	3	SB1312-0A	7
A1025-0A	3	LM1078-0C	7	LM4047-0C	9	SB1029-0A	3	SB1313-0A	7
A1034-0A	3	LM1090-0C	7	LM4048-0C	9	SB1050-0A	3	SB1314-0A	7
A1051-0A	3	LM1092-0C	7	LM4049-0C	9	SB1061-0A	7	SB1322-0A	3
A7000-0A	13	LM1100-0A	5	LM4050-0A	9	SB1062-0A	3	SB1360-0A	3
A7010-0A	13	LM1103-0A	5	LM4051-0A	9	SB1063-0A	7	SB1450-0A	7
A7010-1A	13	LM1104-0A	5	LM4052-0A	9	SB1064-0A	7	SB1451-0A	7
A7012-1A	13	LM1105-0A	5	LM4053-0A	9	SB1065-0A	7	SB1452-0A	7
A7012-2A	13	LM1185-0C	11	LM4054-0A	9	SB1067-0A	7	SB1453-0A	5
A7040-0A	13	LM1188-0A	9	LM4056-0A	9	SB1074-0A	7	SB1454-0A	7
B7070-1A	13	LM1189-0C	9	LM4083-0C	3	SB1076-0A	7	SB1455-0A	7
BB6200ZZ	9	LM1190-0C	9	LM4130-0A	5	SB1077-0A	7	SB1456-0A	7
BB6200ZZ	9	LM1231-0C	11	LM6010-0A	5	SB1081-0A	7	SB1457-0A	7
BB6200ZZ	9	LM1320-0A	5	LM6011-0A	5	SB1091-0A	7	SB1458-0A	7
BB6200ZZ	9	LM1322-0A	5	LM6012-0A	5	SB1095-0A	7	SB1458-0A	7
BC-457	5	LM3000-0A	3	LM6013-0A	5	SB1101-0A	5	SB1459-0A	7
BNTA2030Z	5	LM3001-0A	3	LM6014-0A	5	SB1104-0A	5	TC08012000	5
BO-107	5	LM3002-0A	9	LM6030-0C	3	SB1106-0A	5	TC10060220	9
C7001-0A	13	LM3003-0A	9	LM6050-0A	3	SB1175-0A	7	TC10060220	9
DPx5#18	7	LM4010-0A	5	LM6052-0A	3	SB1176-0A	7	WA030003	7
DPx5#18	13	LM4035-0C	9	LM6053-1C	3	SB1180-0A	11	WA050001	3
E1052-0A	3	LM4036-0C	9	LM6053-2C	3	SB1184-0A	11	WA050010	7
HB7006-0A	13	LM4037-0C	9	PA1052-0A	3	SB1186-0A	11	WA059003	13
J7050-0A	13	LM4038-0C	9	PC4174-0A	3	SB1187-0B	11	WA080013	13
LM1010-0C	3	LM4039-0C	9	S1055-0A	3	SB1200-0A	11	WC119001	7
LM1012-0C	3	LM4041-0C	9	SB1020-0A	3	SB1203-0A	11	WC119001	9



G、

## 零件號碼與頁數對照 NUMERICAL PARTS-LIST

零件號碼 PARTS NO.	頁數 PAGE	零件號碼 PARTS NO.	頁數 PAGE	零件號碼 PARTS NO.	頁數 PAGE	零件號碼 PARTS NO.	頁數 PAGE	零件號碼 PARTS NO.	頁數 PAGE
XA300300	3	ZSA15005	7	ZSB09011	7	ZSC11001	9	ZSQ09008	3
XB132001	3	ZSA15005	7	ZSB09034	3	ZSC11019	7		
XB360001	3	ZSA15006	3	ZSB09034	9	ZSC11019	7		
YA060270	3	ZSA15016	7	ZSB09034	9	ZSC11020	3		
YD060050	3	ZSA15017	5	ZSB09038	9	ZSF12002	7		
ZMB05026	3	ZSA15017	5	ZSB09041	3	ZSF32001	11		
ZMB08006	13	ZSA15018	5	ZSB09047	3	ZSG11107	11		
ZML08001	13	ZSA15021	7	ZSB09047	3	ZSG12075	11		
ZMT05001	13	ZSA15021	9	ZSB09079	3	ZSG14008	11		
ZMT05001	13	ZSA15025	7	ZSB09079	3	ZSG15076	11		
ZSA11002	7	ZSA15028	5	ZSB09079	7	ZSG18021	9		
ZSA11004	5	ZSA15028	5	ZSB09093	9	ZSG20016	9		
ZSA11004	7	ZSA15028	7	ZSB11017	3	ZSH06010	5		
ZSA11004	7	ZSA15028	9	ZSB11020	7	ZSH15001	11		
ZSA11004	7	ZSA15028	9	ZSB12057	7	ZSH16005	5		
ZSA11004	9	ZSA15048	9	ZSB12058	7	ZSJ24005	3		
ZSA11005	3	ZSA15049	9	ZSB12058	9	ZSJ32003	3		
ZSA11007	9	ZSA16009	5	ZSB12058	9	ZSK09001	7		
ZSA11008	9	ZSA16010	5	ZSB12060	3	ZSK18032	7		
ZSA11008	9	ZSA16013	5	ZSB12061	3	ZSK18036	9		
ZSA11013	9	ZSA16013	5	ZSB12061	3	ZSL09002	3		
ZSA11013	9	ZSA16022	7	ZSB18014	5	ZSL12009	7		
ZSA11013	9	ZSA18001	5	ZSB20012	5	ZSL18001	7		
ZSA11020	9	ZSB08027	7	ZSC09031	7	ZSL18001	9		
ZSA11023	5	ZSB09002	3	ZSC09034	9	ZSL18003	9		
ZSA15005	5	ZSB09002	11	ZSC09034	9	ZSN16006	3		
ZSA15005	7	ZSB09005	3	ZSC11001	3	ZSQ09008	3		
ZSA15005	7	ZSB09005	9	ZSC11001	9	ZSQ09008	3		





**CONSEW** <sup>Since 1898</sup>®

CONSOLIDATED SEWING MACHINE CORP.

└ INDUSTRIAL SEWING & CUTTING EQUIPMENT

**400 VETERANS BLVD, CARLSTADT, NJ 07072**

**212-741-7788**