

PARTS LIST

DDL-9000C-S PARTS LIST

下記 URL (PARTS Website/PC サイト) より、便利な検索機能のついた Web Parts Book をご利用頂けます。
ご利用には会員登録が必要です。(無料)

<https://juki.aftama.com/JUKI/JA>

You can use a Web Parts Book with a convenient search function from the URLs (PARTS Website/PC-site)
below. To use the PARTS Website, free membership registration is required.

<https://juki.aftama.com/JUKI/EN>

HOW TO MAKE USE OF THIS PARTS LIST

1.Explanation of codes

1)"*" mark.....means this part is changed from the previous parts book.

As to the details of the change, refer to "List for information of change".

2)"#01".....refer to "Note" explanation at bottom of page.

2.Codes on the "Qty" column

• Each numeral indicates the number of parts required.

• "0.1" and "2.5" indicate the length (in meters) of the respective parts.

3.Parentheses mean that the corresponding part is a subpart that constructs an assembly part.

4.Dotted lines on the Figures indicate assembly parts.

5.As to the parts with marks of "☆"(consumable parts) and "◎"(optional parts)on the respective parts, it is recommended to prepare spares.

| Sign | Place of destination |
|------|----------------------------------|
| GG | China |
| BB | Europe |
| EE | Japan |
| AA | excludes China, Europe and Japan |

パーツリストご利用に際して

1."注記"欄の記号説明

1)"*"印..... 前回のパーツブックに比較して今回変更された部品を意味します。

変更内容は"変更情報リスト"を参照してください。

2)"#01"..... ページ下の"注記"の説明を参照してください。

2.数量欄の数字は、個数を表し、0.1、2.5等の数値は、長さ(単位メートル)を表します。

3.数量欄の()は、組部品を構成している子部品であることを意味します。

4.イラストページの-----枠は、組構成であることを意味します。

5.リストページの"☆"(消耗部品)、“◎”(オプション部品)の印がついた部品は、

予備を準備しておくことをお奨めします。

| 記号 | 仕向地 |
|----|----------------|
| GG | 中国 |
| BB | ヨーロッパ |
| EE | 日本 |
| AA | 中国、ヨーロッパ、日本を除く |

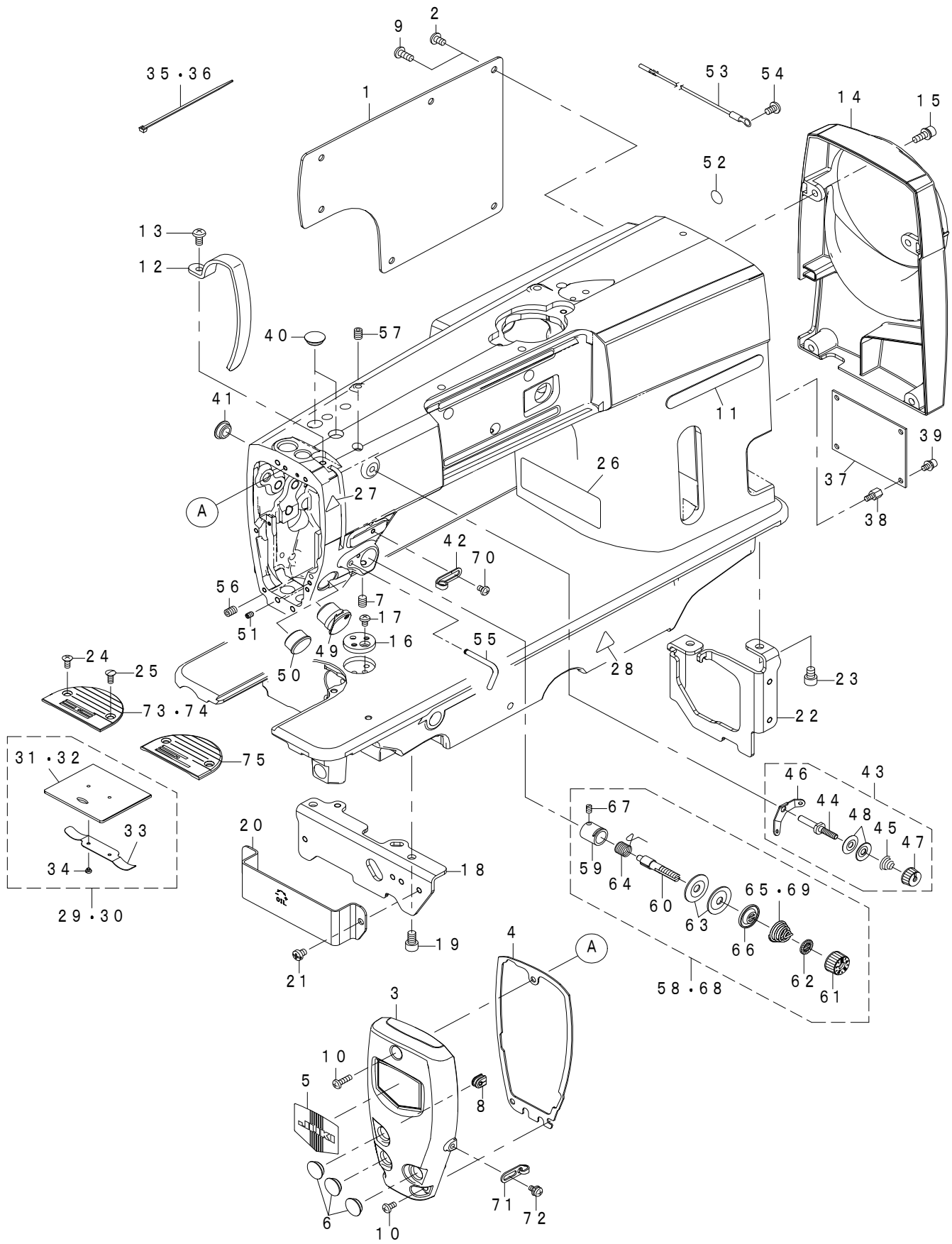
CONTENTS

目次

| | |
|--|----|
| 1. MACHINE FRAME & MISCELLANEOUS COVER COMPONENTS..... | 1 |
| 頭部・外装関係 | |
| 2. BOBBIN WINDER COMPONENTS | 3 |
| 糸巻装置関係 | |
| 3. MAIN SHAFT & NEEDLE BAR COMPONENTS..... | 5 |
| 上軸・針棒関係 | |
| 4. HAND LIFTER & TENSION RELEASE COMPONENTS | 7 |
| 押え上げ・糸緩め関係 | |
| 5. FEED ADJUST MECHANISM COMPONENTS | 9 |
| 送り調節関係 | |
| 6. VERTICAL FEED COMPONENTS | 11 |
| 上下送り関係 | |
| 7. HOOK DRIVING COMPONENTS | 13 |
| 釜軸関係 | |
| 8. THREAD TRIMMER COMPONENTS | 15 |
| 糸切り関係 | |
| 9. OIL LUBRICATION COMPONENTS..... | 17 |
| 給油関係 | |
| 10. AUTOMATIC REVERSE FEED COMPONENTS..... | 19 |
| 自動逆送り関係 | |
| 11. OPERATION PANEL COMPONENTS..... | 20 |
| 操作パネル関係 | |
| 12. THREAD STAND COMPONENTS..... | 21 |
| 糸立装置関係 | |
| 13. UNDER COVER COMPONENTS | 22 |
| アンダーカバー関係 | |
| 14. ACCESSORIE PART COMPONENTS | 23 |
| 付属品関係 | |
| 15. EXCLUSIVE PARTS DDL-9000C-SSH..... | 24 |
| DDL - 9000 C - SSH 専用部品 | |
| 16. TABLE & STAND COMPONENTS..... | 25 |
| 脚卓関係 | |
| 17. SPECIAL ORDER PARTS | 27 |
| 特別注文部品 | |
| 18. LIST FOR INFORMATION OF CHANGE..... | 28 |
| 変更情報リスト | |
| NUMERICAL INDEX OF PARTS..... | 29 |
| 索引 | |

1. MACHINE FRAME & MISCELLANEOUS COVER COMPONENTS

頭部・外装関係



| REF.NO | NOTE | PART NO | DESCRIPTION | 品名 | Qty |
|--------|-------|---------------|------------------------------------|----------------------------|-----|
| 1 | | 401-72362 | SIDE_PLATE | 窓板 | 1 |
| 2 | | SM-4050855-SP | SCREW | なべねじ M5 L=8 | 6 |
| 3 | | 401-72371 | FACE_COVER | 面板 | 1 |
| 4 | | 401-72373 | FACE_COVER_PACKING | 面板パッキン | 1 |
| 5 | | 401-72374 | FACE_COVER_PLATE | 面板化粧板 | 1 |
| 6 | | TA-1250406-R0 | RUBBER PLUG D=12.5 L=4 | 止め栓 D=12.5 L=4 | 3 |
| 7 | | SM-80608A2-TP | SCREW M6 L=8 | 六角穴付き止めねじ M6 L=8 | 1 |
| 8 | | 401-74368 | FACE_COVER_RUBBER | 面板ゴム | 1 |
| 9 | #02 | SM-4051255-SP | SCREW M5 L=12 | なべねじ M5 L=12 | 6 |
| 10 | | SM-4041455-SN | SCREW M4 L=14 | なべねじ M4 L=14 | 3 |
| 11 | | 401-72375 | EMBLEM_JUKI_SMART_SOLUTIONS | エンブレム_JUKI_SMART_SOLUTIONS | 1 |
| 12 | | 401-72376 | THREAD_TAKE_UP_COVER | 天秤カバー | 1 |
| 13 | | SM-4051055-SP | SCREW | なべねじ | 1 |
| 14 | | 401-72366 | PULLEY_COVER | プーリーカバー | 1 |
| 15 | | SL-6051492-TN | BOLT | 座金付き六角穴ボルト | 4 |
| 16 | | 400-35589 | RULER_PLATE | 定規板 | 1 |
| 17 | | SM-4040855-SP | SCREW | なべねじ | 1 |
| 18 | | 401-72391 | BED_BRACKET_A | ベッド支えA | 1 |
| 19 | | SM-6060802-TP | SCREW M6 L=8 | 六角穴ボルト M6 L=8 | 2 |
| 20 | | 401-74305 | SAFETY_GUIDE | 保護ガイド | 1 |
| 21 | * | SM-4050855-SP | SCREW | なべねじ M5 L=8 | 2 |
| 22 | | 401-72392 | BED_BRACKET_B | ベッド支えB | 1 |
| 23 | | SM-6060802-TP | SCREW M6 L=8 | 六角穴ボルト M6 L=8 | 2 |
| 24 | | SM-2040955-TP | SCREW M4 L=8.5 | 丸皿小ねじ M4 L=8.5 | 1 |
| 25 | | SM-2040750-TP | SCREW M4 L=7.4 | 丸皿ねじ M4 L=7.4 | 1 |
| 26 | | 401-02261 | SAFETY_LABEL_S | 安全ラベル | 1 |
| 27 | | CM-3002000-01 | FINGER INJURY CAUTION LABEL (16) | 指けが注意シール (16) | 1 |
| 28 | | CM-3002000-03 | FINGER INJURY CAUTION LABEL (31.5) | 指けが注意シール (31.5) | 1 |
| 29 | | 401-72369 | SLIDE_PLATE_B_ASM | 滑り板_B (組) | 1 |
| 30 | #03 | 401-72367 | SLIDE_PLATE_A_ASM | 滑り板_A (組) | 1 |
| 31 | | 401-72370 | SLIDE_PLATE_B | 滑り板_B | (1) |
| 32 | | 401-72368 | SLIDE_PLATE_A | 滑り板_A | (1) |
| 33 | | 229-01300 | SLIDE PLATE SPRING | 滑り板ばね | (1) |
| 34 | | SS-6060210-SP | SCREW 3/32-56 L=1.9 | 平ねじ 3/32-56 L=1.9 | (2) |
| 35 | | KX-0000002-30 | RELEASABLE CABLE TIE | 束線バンド | 1 |
| 36 | | EA-9500B01-00 | CABLE BAND | 束線バンド | 7 |
| 37 | | 401-72390 | INT PCB ASSY | INT基板組 | 1 |
| 38 | * | 401-88608 | SPACER | スペーサ | 4 |
| 39 | | SL-6040892-TN | BOLT | 座金付き六角穴ボルト | 4 |
| 40 | | TA-1250406-R0 | RUBBER PLUG D=12.5 L=4 | 止め栓 D=12.5 L=4 | 2 |
| 41 | | TA-1250406-R0 | RUBBER PLUG D=12.5 L=4 | 止め栓 D=12.5 L=4 | 1 |
| 42 | | 236-26104 | ARM THREAD GUIDE A | アーム系案内A | 1 |
| 43 | | 229-63458 | THREAD TENSION ASM. | 第一系調子 (組) | 1 |
| 44 | | 229-45414 | THREAD TENSION POST | 第一系調子棒 | (1) |
| 45 | | 229-63409 | THREAD TENSION SPRING | 第一系調子ばね | (1) |
| 46 | | 229-45604 | THREAD TENSION GUIDE | 第一系調子案内 | (1) |
| 47 | | 229-45703 | THREAD TENSION NUT | 第一系調子ナット | (1) |
| 48 | | 229-45802 | THREAD TENSION DISK | 第一系調子皿 | (2) |
| 49 | #06 | 401-74373 | THREAD NIPPER SOLENOID | 糸つかみソレノイド | 1 |
| 50 | #01 | 401-74392 | ARM_CAP | アームキャップ | 1 |
| 51 | | SM-8040612-TP | SCREW M4 L=6 | 止めねじ M4 L=6 | 1 |
| 52 | | 229-01805 | GROUND MARK | グラウンドマーク | 1 |
| 53 | | 401-74385 | GROUND WIRE ASM. | アースコード組 | 1 |
| 54 | | SM-4050655-SP | SCREW M5 L=6 | なべ小ねじ M5 L=6 | 1 |
| 55 | | 400-52933 | ARM THREAD GUIDE C | アーム系案内C | 1 |
| 56 | | SM-80608A2-TP | SCREW M6 L=8 | 六角穴付き止めねじ M6 L=8 | 1 |
| 57 | | SM-80608A2-TP | SCREW M6 L=8 | 六角穴付き止めねじ M6 L=8 | 1 |
| 58 | | 401-74575 | THREAD_TENSION_DISK_ASM. | 糸調子 (組) | 1 |
| 59 | | 400-86640 | TENSION_POST_SOCKET_ASM. | 糸調子棒台組 | (1) |
| 60 | | 229-21209 | THREAD TENSION POST | 糸調子棒 | (1) |
| 61 | | 236-26005 | THREAD TENSION NUT | 糸調子ナット | (1) |
| 62 | | 229-21407 | ROTATION STOPPER | 糸調子皿回転止め | (1) |
| 63 | | 229-21506 | THREAD TENSION DISK | 糸調子皿 | (2) |
| 64 | ☆ | 229-21605 | THREAD TAKE-UP SPRING | 糸取りばね | (1) |
| 65 | | 401-12420 | THREAD TENSION SPRING M | 糸調子ばねM | (1) |
| 66 | | 229-21803 | DISK STOPPER | 糸調子皿押え | (1) |
| 67 | | SS-8090670-SP | SCREW 9/64-40 L=5.5 | 止めねじ 9/64-40 L=5.5 | (1) |
| 68 | #03 | 400-86639 | THREAD_TENSION_DISK_ASM. | 糸調子組 | 1 |
| 69 | #03 | 229-21704 | THREAD TENSION SPRING | 糸調子ばね (A) | (1) |
| 70 | | SM-5040655-SN | SCREW | バインドねじ | 1 |
| 71 | | 400-09037 | TAKE-UP THREAD GUIDE | 天秤系案内 A | 1 |
| 72 | | SL-4040881-SC | SCREW M4 L=8 | 座金付きなべ小ねじ M4 L=8 | 1 |
| 73 | * #05 | 401-82291 | THROAT_PLATE_G | 針板_G | 1 |
| 74 | #04 | B1109-012-10B | THROAT_PLATE (I) | 針板 (I) | 1 |
| 75 | #03 | 110-28008 | THROAT PLATE | 針板 | 1 |

NOTE(注記)

#01...FOR OB
#02...FOR AK-154
#03...FOR S_EE
#04...FOR S_AA
#05...FOR S_GG
#06...FOR NB

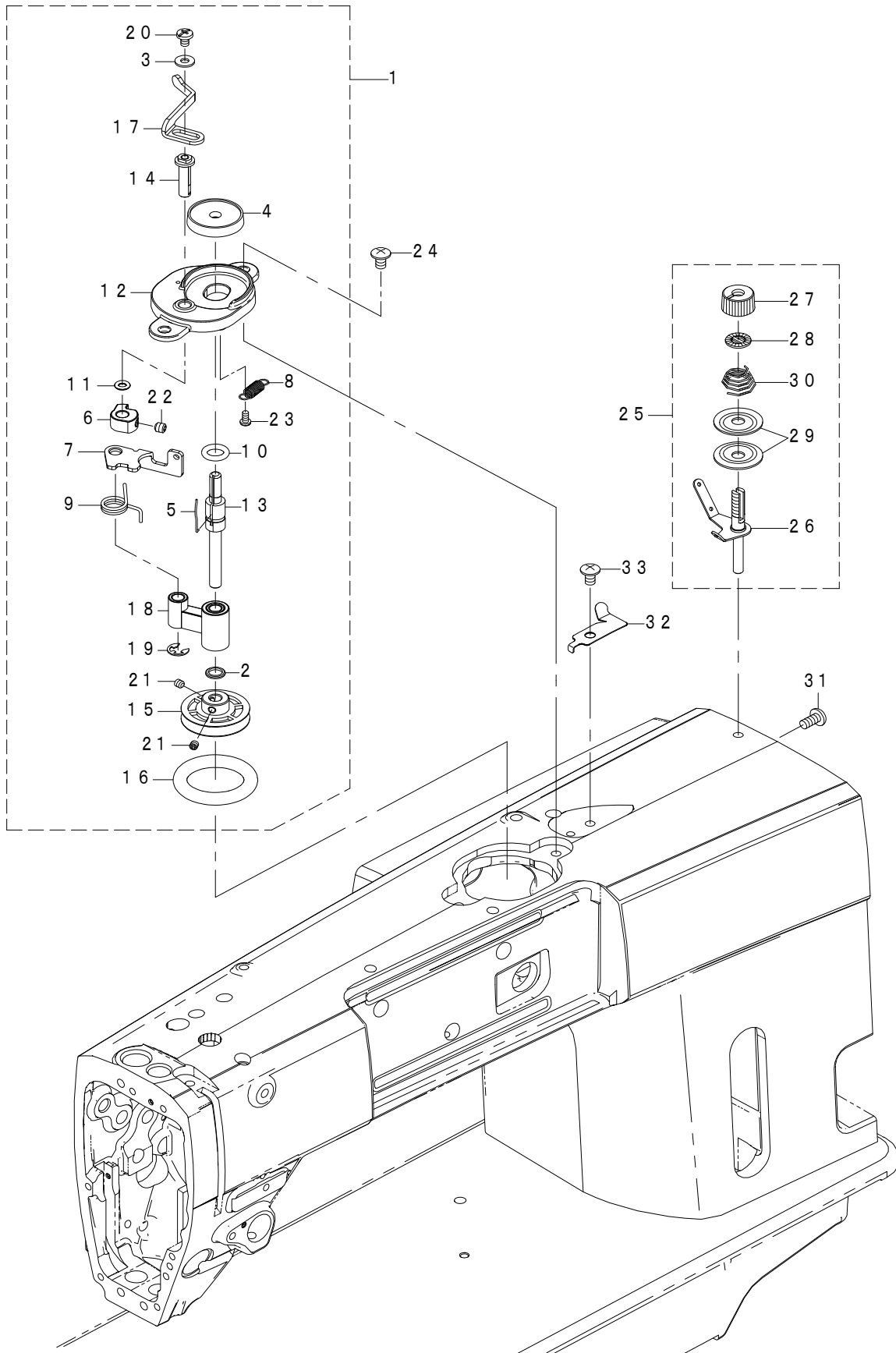
OB用
AK-154用
S_EE用
S_AA用
S_GG用
NB用

*ABOUT THE DESTINATION, THE SPREAD 'HOW TO MAKE USE OF THIS PARTS LIST'
PLEASE SEE

仕向地については、見開きの (パーツリストご利用に際して) を参照して下さい。

2. BOBBIN WINDER COMPONENTS

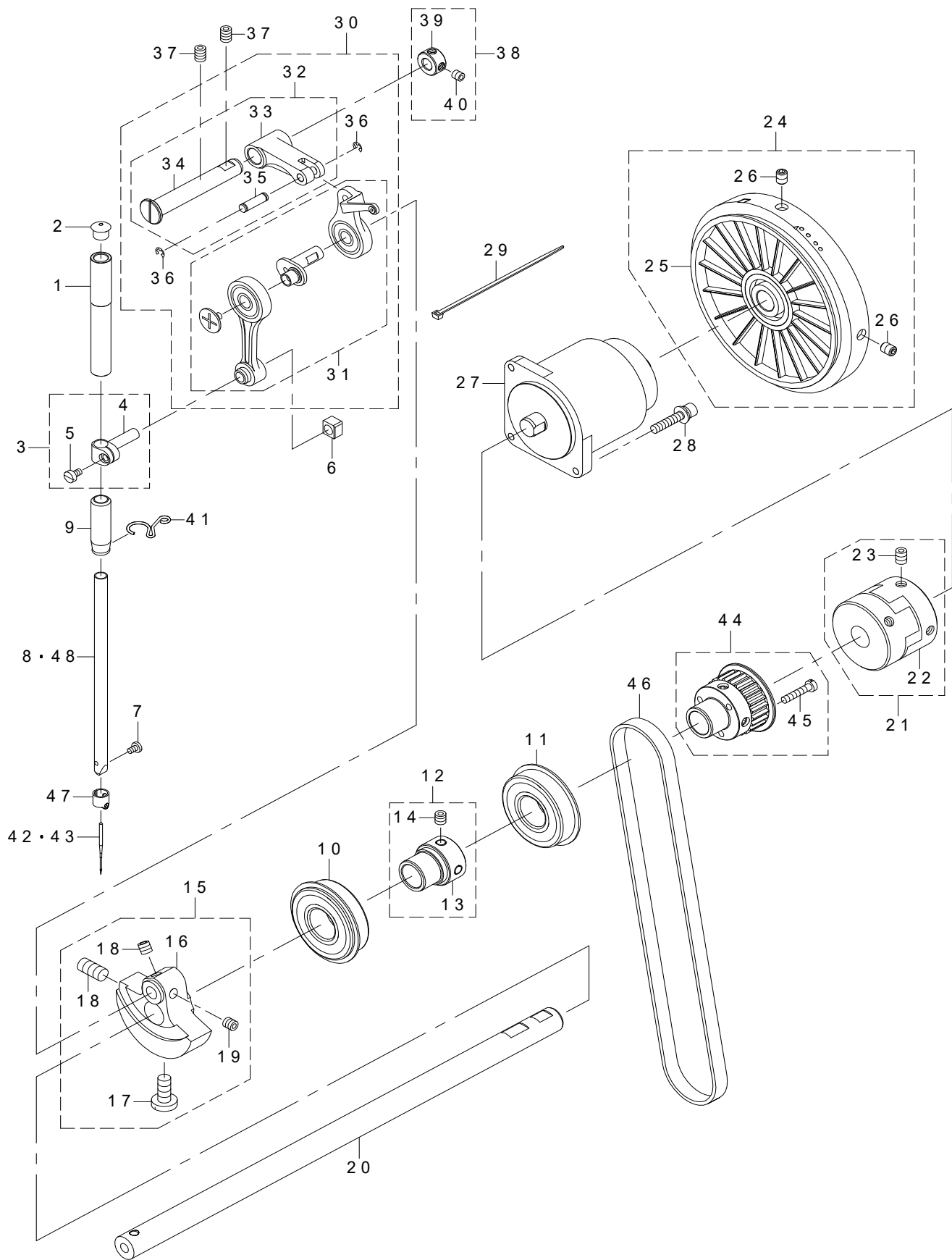
糸巻装置関係



| REF.NO | NOTE | PART NO | DESCRIPTION | 品名 | Qty |
|--------|------|---------------|--------------------------------|--------------|-----|
| 1 | * | 401-91107 | BOBBIN_WINDER_UNIT_N | 糸巻装置(組)N | 1 |
| 2 | | 228-91204 | BEARING SUPPORT | ベアリング押え | (1) |
| 3 | | 401-66870 | WASHER | 平座金 | (1) |
| 4 | | 401-66872 | BOBBIN_SUPPORT | ボビン座 | (1) |
| 5 | | 401-66881 | BOBBIN_FIXED_SPRING | ボビン止めばね | (1) |
| 6 | | 401-66885 | BOBBIN_PRESSER_CAM | 糸巻きカム | (1) |
| 7 | | 401-66886 | BOBBIN_WINDER_LEVER | 糸巻き調節板 | (1) |
| 8 | | 401-66887 | BOBBIN_WINDER_LEVER_SPRING | 糸巻き調節板戻しばね | (1) |
| 9 | | 401-66888 | SPRING | 糸巻き振りばね | (1) |
| 10 | | 401-66893 | STOPPER_RUBBER | Oリング | (1) |
| 11 | | 401-66894 | O_RING | Oリング | (1) |
| 12 | ☆ | 401-91108 | BTW_BASE_N | 糸巻き取付台N | (1) |
| 13 | ☆ | 401-91109 | BOBBIN_WINDER_SHAFT_N | 糸巻き軸N | (1) |
| 14 | | 401-91111 | BOBBIN_WINDER_ARM_SHAFT_N | 糸巻きレバー軸N | (1) |
| 15 | | 401-91113 | BOBBIN_WINDER_WHEEL_N | 糸巻き車N | (1) |
| 16 | | 401-91114 | BTW_WHEEL_RUBBER_N | 糸巻摩擦車N | (1) |
| 17 | | 401-91115 | BOBBIN_PRESSER_N | 糸巻きレバーN | (1) |
| 18 | | 401-91116 | BOBBIN_WINDER_SUPPORT_N_ASM | 糸巻き腕組 | (1) |
| 19 | | RE-0500000-K0 | E-RING | E形止め輪 5 | (1) |
| 20 | | SM-5040655-SN | SCREW | バインドねじ | (1) |
| 21 | | SM-8040412-TP | SET SCREW M4 L=4 | 止めねじ | (2) |
| 22 | | SM-8050502-TP | SCREW M5 L=5 | 止めねじ | (1) |
| 23 | | ST-4030651-SN | SCREW M3 X 6 | タッピンねじ | (1) |
| 24 | | SM-0050801-SC | SCREW | トラスねじ M5 L=8 | 2 |
| 25 | | 400-88958 | BOBBIN THREAD TENSION ASM. | 糸巻糸調子(組) | 1 |
| 26 | | 400-88959 | BOBBIN THREAD TENSION ROD ASM. | 糸巻糸調子棒(結合) | (1) |
| 27 | | 229-21308 | THREAD TENSION NUT | 糸調子ナット | (1) |
| 28 | | 229-21407 | ROTATION STOPPER | 糸調子皿回転止め | (1) |
| 29 | | 229-21506 | THREAD TENSION DISK | 糸調子皿 | (2) |
| 30 | | 229-21704 | THREAD TENSION SPRING | 糸調子ばね(A) | (1) |
| 31 | | SM-4051055-SP | SCREW | なべねじ | 1 |
| 32 | | 400-37008 | THREAD_CUTTER | 糸切り保持板 | 1 |
| 33 | | SM-0050801-SC | SCREW | トラスねじ M5 L=8 | 1 |

3. MAIN SHAFT & NEEDLE BAR COMPONENTS

上軸・針棒関係

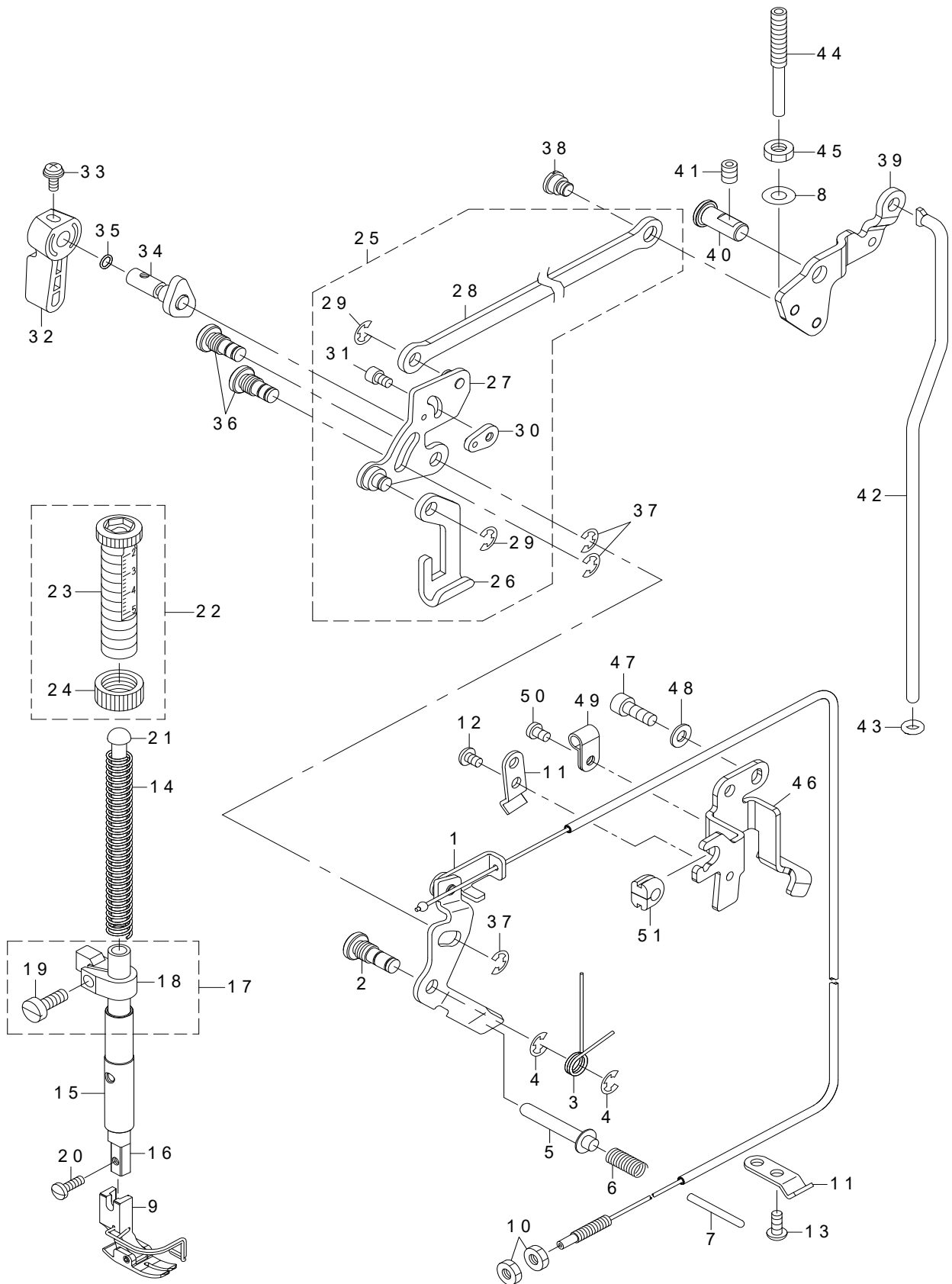


| REF.NO | NOTE | PART NO | DESCRIPTION | 品名 | Qty |
|--------|------|------------------|---|-------------------------------|-----|
| 1 | | 401-72399 | NEEDLE_BAR_BUSHING_UPPER | 針棒上メタル | 1 |
| 2 | | 229-01409 | NEEDLE BAR UPPER BUSH CAP | 針棒上メタルキャップ | 1 |
| 3 | | 229-06457 | NEEDLE BAR HOLDER ASM. | 針棒抱き (組) | 1 |
| 4 | | 229-06408 | NEEDLE ROD HOLDER | 針棒抱き | (1) |
| 5 | | SS-6090670-TP | SCREW 9/64-40 L=6 | 平ねじ 9/64-40 L=6 | (1) |
| 6 | | 400-90058 | SLIDE BLOCK | 針棒抱き案内コロ | 1 |
| 7 | ☆ | SS-7080510-TP | SCREW 1/8-44 L=4.5 | 丸平ねじ 1/8-44 L=4.5 | 1 |
| 8 | #02 | 400-86602 | NEEDLE_BAR_D_(A) | 針棒D (A) | 1 |
| 9 | | 400-86605 | NEEDLE_BAR_LOWER_METAL_MD | 針棒下メタル_MD | 1 |
| 10 | | SB-1200027-00 | BEARING | ころがり軸受 | 1 |
| 11 | | SB-1200027-00 | BEARING | ころがり軸受 | 1 |
| 12 | | 400-44857 | FRONT BEARING SUPPORT ASM. | 上軸前ベアリング受 (組) | 1 |
| 13 | | 236-05207 | MAIN SHAFT BEARING SUPPORT | 上軸前ベアリング受 | (1) |
| 14 | | SM-80608A2-TP | SCREW M6 L=8 | 六角穴付き止めねじ M6 L=8 | (2) |
| 15 | | 401-35904 | ASSY_COUNTER WEIGHT | 釣合錘 (組) | 1 |
| 16 | | 401-35916 | COUNTER WEIGHT | 釣合錘 | (1) |
| 17 | | 400-04171 | COUNTER_WEIGHT_SCREW | カウンターウェイトスクリュー | (1) |
| 18 | | SM-8081652-TP | SCREW M8 L=16 | 止めねじ M8 L=16 | (1) |
| 19 | | SM-80606A2-TP | SCREW M6 L=6 | 六角穴付き止めねじ M6 L=6 | (2) |
| 20 | | 400-86597 | MAIN_SHAFT | 上軸 | 1 |
| 21 | | 401-72398 | COUPLING_ASM. | カップリング_組 | 1 |
| 22 | | 401-72393 | COUPLING | カップリング | (1) |
| 23 | | SM-80608A2-TP | SCREW M6 L=8 | 六角穴付き止めねじ M6 L=8 | (4) |
| 24 | | 401-72418 | HAND_WHEEL_ASM. | はずみ車 (組) | 1 |
| 25 | | 401-72377 | HAND_WHEEL | はずみ車 | (1) |
| 26 | | SM-80608A2-TP | SCREW M6 L=8 | 六角穴付き止めねじ M6 L=8 | (2) |
| 27 | | 401-72146 | AC_SERVO_MOTOR | 主モータ | 1 |
| 28 | | SL-6052592-TN | BOLT | 座金付き六角穴ボルト | 3 |
| 29 | | EA-9500B01-00 | CABLE BAND | 束線バンド | 2 |
| 30 | | 401-74341 | THREAD_TAKE_UP_COMP. | 天秤結合 | 1 |
| 31 | | 401-35905 | THREAD_TAKE_UP_ASM._C | 天秤 (組) C | (1) |
| 32 | | 401-74342 | TAKE_UP_CRANK_ASM. | 天秤クランク組 | (1) |
| 33 | | 401-74343 | TAKE_UP_CRANK | 天秤クランク | (1) |
| 34 | | 401-74344 | TAKE_UP_CRANK_SHAFT | 天秤クランク軸 | (1) |
| 35 | | 401-35907 | THREAD_TAKE_UP_PIN | 天秤小ピン | (1) |
| 36 | | RE-0300000-K0 | E-RING 3 | E形止め輪 3 | (2) |
| 37 | | SM-80608A2-TP | SCREW M6 L=8 | 六角穴付き止めねじ M6 L=8 | 2 |
| 38 | | 400-32269 | THRUST COLLAR | スラストカラー | 1 |
| 39 | | CS-1000881-TP | THRUST COLLAR | スラスト受 D=10 W=8 | (1) |
| 40 | | SM-80506A2-TP | SCREW M5 L=6 | 六角穴付き止めねじ M5 L=6 | (2) |
| 41 | | 401-74349 | NEEDLE BAR THREAD GUIDE | 針棒糸案内 | 1 |
| 42 | ☆ | MDB-100B1100 | NEEDLE DBX1 #11 | 針 DBX1 #11 | 1 |
| 43 | ☆ | #01 MDB-100B1400 | NEEDLE DBX1 #14 | 針 DBX1 #14 | 1 |
| 44 | | 401-41440 | UPPER SPROCKET ASM. | 上スプロケット結合 | 1 |
| 45 | | SM-6042000-SP | SCREW | 平ねじ M4 L=20 | (3) |
| 46 | * | 401-49791 | TIMING BELT | タイミングベルト | 1 |
| 47 | | 229-06309 | NEEDLE BAR THREAD GUIDE | 針棒糸掛け | 1 |
| 48 | #03 | 400-86604 | NEEDLE_BAR_D_(B) | 針棒D (B) | 1 |
| | | NOTE(注記) | #01....FOR S_GG #02....FOR GG/EE/AA #03....FOR BB | S_GG用 GG / EE / AA用 BB用 | |

*ABOUT THE DESTINATION, THE SPREAD "HOW TO MAKE USE OF THIS PARTS LIST" PLEASE SEE.
仕向地については、見開きの (パーツリストご利用に際して) を参照して下さい。

4. HAND LIFTER & TENSION RELEASE COMPONENTS

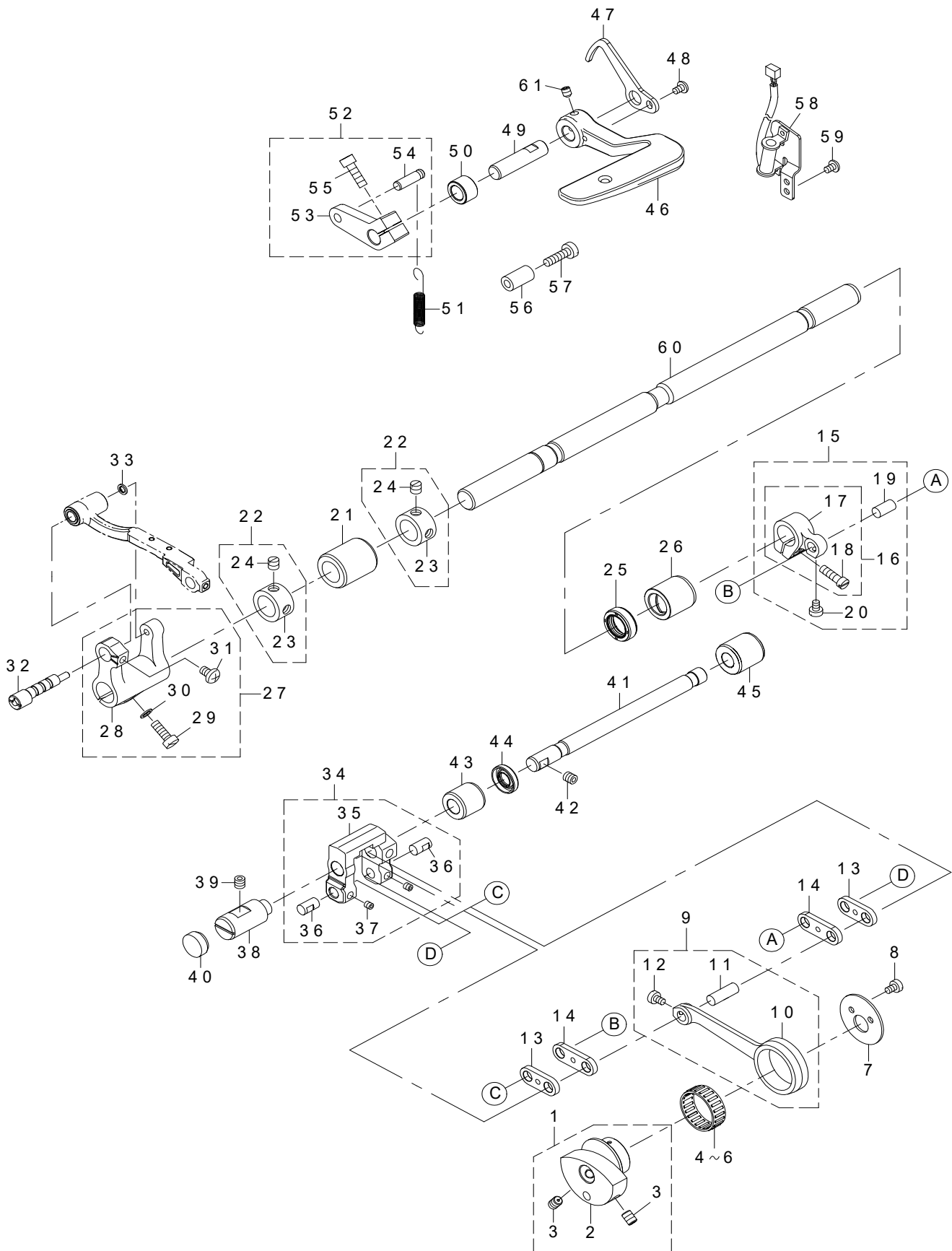
押え上げ・糸緩め関係



| REF.NO | NOTE | PART NO | DESCRIPTION | 品名 | Qty |
|--------|------|---------------|--------------------------------|---------------------|-----|
| 1 | | 401-74389 | TENSION_RELEASE_WIRE_ASM. | 糸緩めワイヤー (組) | 1 |
| 2 | | 400-50582 | TENSION RELEASE SHAFT | 糸ゆるめ板軸 | 1 |
| 3 | | 236-26807 | TENSION RELEASE RETURN SPRING | 糸ゆるめ糸戻しばね | 1 |
| 4 | | RE-0500000-K0 | E-RING | E形止め輪 5 | 2 |
| 5 | | 229-20300 | THREAD RELEASE SUPPORTING PIN | 糸ゆるめ補助ピン | 1 |
| 6 | | 229-20409 | THREAD RELEASE PIN SPRING | 糸ゆるめピンばね | 1 |
| 7 | | B3118-552-F00 | TENSION RELEASING PIN | 糸ゆるめピン F | 1 |
| 8 | | WP-0621016-SD | WASHER 6.2X13X1 | 平座金 6.2 X 13 X 1 | 1 |
| 9 | | B1524-012-0BA | PRESSER FOOT ASM. | 自由押え組 (針ガード付き) | 1 |
| 10 | | NS-6620310-SP | NUT 3/16-32 | 六角ナット 3/16-32 | 2 |
| 11 | | 229-44508 | WIRE PRESSER A | ワイヤー押え A | 2 |
| 12 | | SM-4040655-SP | SCREW M4 L=6 | なべ小ねじ M4 L=6 | 1 |
| 13 | | SM-4041055-SP | SCREW | なべねじ M4 L=10 | 1 |
| 14 | | 229-07406 | PRESSER SPRING | 押え調節ばね | 1 |
| 15 | | 401-36700 | PRESSER_BAR_BUSHING | 押え棒メタル | 1 |
| 16 | | 236-10207 | PRESSER BAR | 押え棒 | 1 |
| 17 | | 400-86606 | PRESSER_BAR_GUIDE_BRACKET_ASM. | 押え棒抱き組 | 1 |
| 18 | | 400-86607 | PRESSER_BAR_GUIDE_BRACKET | 押え棒抱き | (1) |
| 19 | | SM-6051400-SP | SCREW | 平ねじ | (1) |
| 20 | ☆ | SS-7091110-TP | SCREW 9/64-40 L=10.5 | 丸平ねじ 9/64-40 L=10.5 | 1 |
| 21 | | 236-10306 | PRESSER GUIDE BAR | 押え案内棒 | 1 |
| 22 | | 400-37359 | PRESSER SPRING REGURATOR ASM. | 押え調節ねじ (組) | 1 |
| 23 | | 400-37141 | PRESSER SPRING REGULATOR | 押えばね調節ねじ | (1) |
| 24 | | 400-37144 | PRESSER SPRING REGULATOR NUT | 押え調節ばねねじナット | (1) |
| 25 | | 401-74387 | LIFT_LINK_ASSY | 膝上げ横棒 (組) | 1 |
| 26 | | 229-08008 | LIFTING PLATE | 引き上げ板 | (1) |
| 27 | | 236-09456 | LIFTING LINK COMPL. | 引き上げリンク (結合) | (1) |
| 28 | | 401-74377 | LIFT_LINK_PLATE | 膝上げリンク板 | (1) |
| 29 | | RE-0500000-K0 | E-RING | E形止め輪 5 | (1) |
| 30 | | 236-09605 | PLATE | 糸ゆるめ切替板 | (1) |
| 31 | | SM-6040602-TP | SCREW M4X0.7 L=6 | 六角穴ボルト M4 X 0.7 L=6 | (1) |
| 32 | | 229-07802 | HAND LIFTER | 押え上げレバー | 1 |
| 33 | | B1521-555-000 | SCREW | 押え上げレバー止めねじ | 1 |
| 34 | | 229-08552 | HAND LIFTER CAM ASM. | 押え上げカム (組) | 1 |
| 35 | | RO-0371801-00 | RUBBER RING | Oリング | 1 |
| 36 | | 400-50583 | LINK SHAFT | 引き上げリンク軸 | 2 |
| 37 | | RE-0500000-K0 | E-RING | E形止め輪 5 | 3 |
| 38 | | 401-74388 | HINGE SCREW | 膝上げ横棒段ねじ | 1 |
| 39 | | 401-72401 | AK_LEVER | AKレバー | 1 |
| 40 | | 401-72402 | PRESSER_LEVER_SHAFT | 押えレバー支点軸 | 1 |
| 41 | | SM-80608A2-TP | SCREW M6 L=8 | 六角穴付き止めねじ M6 L=8 | 1 |
| 42 | | 401-72403 | CONNECTING ROD | 膝上げ連結棒 | 1 |
| 43 | | RO-0442401-00 | RUBBER RING | Oリング | 1 |
| 44 | | 400-36706 | ADJUSTING SCREW | 微量押え上げねじ | 1 |
| 45 | | NM-6060003-SE | NUT FOR BRACKET | 六角ナット M6 2種 | 1 |
| 46 | | 401-74573 | CABLE_CLAMP_PLATE | ケーブル押え | 1 |
| 47 | | SM-6051402-TP | SCREW M5X0.8 L=14 | 六角穴ボルト | 2 |
| 48 | | WP-0501016-SD | WASHER 5X10.5X1 | 平座金 5 X 10.5 X 1 | 2 |
| 49 | | HX-0015000-0A | CABLE CLAMP | ケーブルクリップ | 1 |
| 50 | | SM-4040601-SC | SCREW M4X0.7 L=6 | なべ小ねじ M4 X 0.7 L=6 | 1 |
| 51 | | GPK-26023000 | BUSH A | コードブッシュ A | 1 |

5. FEED ADJUST MECHANISM COMPONENTS

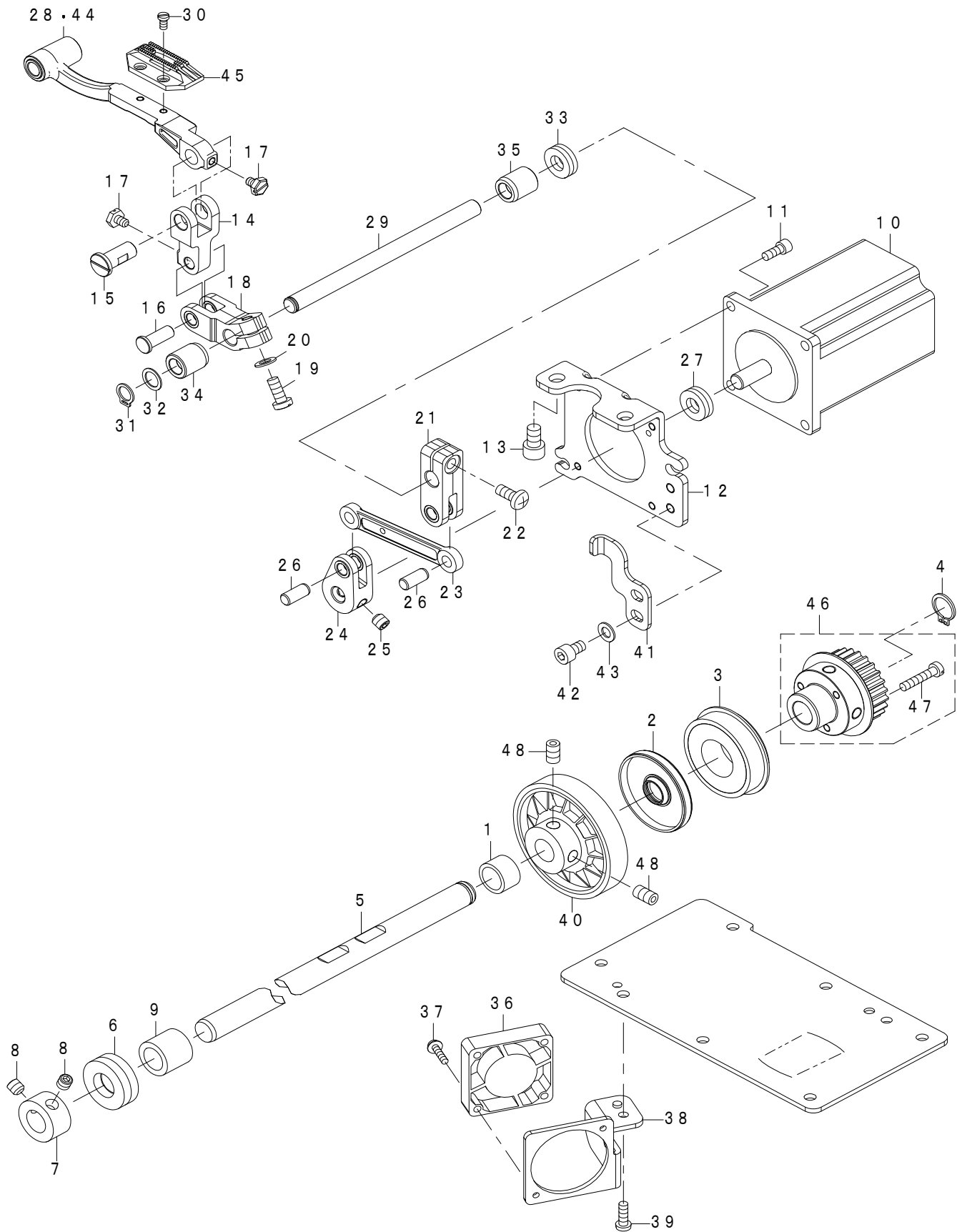
送り調節関係



| REF.NO | NOTE | PART NO | DESCRIPTION | 品名 | Qty |
|--------|------|---------------|-------------------------------|--------------------|-----|
| 1 | | 401-74296 | ASSY_FEED_ROCKER_CAM | 水平送りカム(組) | 1 |
| 2 | | 401-74297 | FEED_ROCKER_CAM | 水平送りカム | (1) |
| 3 | | SS-8150822-TP | SCREW 15/64-28 L=8 | 止めねじ 15/64-28 L=8 | (2) |
| 4 | | B4123-522-00A | NEEDLE BEARING | メス ニードルローラ A | 1 |
| 5 | | B4123-522-00B | NEEDLE ROLLAR | メス ニードルローラ B | 1 |
| 6 | | B4123-522-00C | NEEDLE ROLLAR | メス ニードルローラ C | 1 |
| 7 | | 401-74298 | FEED_ROCKER_CAM_TOP | 水平送りカム蓋 | 1 |
| 8 | | SS-6090670-TP | SCREW 9/64-40 L=6 | 平ねじ 9/64-40 L=6 | 2 |
| 9 | | 400-37365 | FEED ROCKER ROD ASM. | 水平送りロッド(組) | 1 |
| 10 | | 400-26277 | FEED ROCKER ROD | 水平送りロッド | (1) |
| 11 | | 229-11101 | WALKING FOOT PIN C | 水平送りピンC | (1) |
| 12 | | SS-6090620-TP | SCREW | 平ねじ | (1) |
| 13 | | 401-74300 | FEED_CONNECTING_LINK_A | 連結リンクA | 2 |
| 14 | | 401-74302 | FEED_CONNECTING_LINK_B | 連結リンクB | 2 |
| 15 | | 400-61246 | FEED ROCKER ARM ALL ASM. | 水平送り腕(総組) | 1 |
| 16 | | 400-58504 | FEED ROCKER ARM ASM. | 水平送り腕(組) | (1) |
| 17 | | 400-42079 | FEED ROCKER ARM | 水平送り腕 | (1) |
| 18 | | SS-6121610-SP | SCREW 3/16-28 L=15.5 | 平ねじ 3/16-28 L=15.5 | (1) |
| 19 | | 229-11002 | WALKING FOOT PIN B | 水平送りピンB | (1) |
| 20 | | SS-6090620-TP | SCREW | 平ねじ | (1) |
| 21 | | 236-16709 | FEED ROCKER SHAFT METAL | 水平送り軸メタル | 1 |
| 22 | | 229-04155 | MAIN SHAFT THRUST COLLAR ASM. | 上軸スラスト受(組) | 2 |
| 23 | | 229-04106 | MAIN SHAFT THRUST COLLAR | 上軸スラスト受 | (1) |
| 24 | | SS-8660610-TP | SCREW 1/4-40 L=6 | 止めねじ 1/4-40 L=6 | (2) |
| 25 | | 401-72134 | FEED_ROCKER_DUST_SEAL | 水平送り軸後ダストシール | 1 |
| 26 | | 401-74299 | FEED_ROCKER_REAR_METAL | 水平送り後メタル | 1 |
| 27 | | 400-37005 | ASSY_FEED_ROCKER_BASE_ARM | 水平送り台腕(組) | 1 |
| 28 | | 400-26281 | FEED ROCKER BASE ARM | 水平送り台腕 | (1) |
| 29 | | SM-6051400-SP | SCREW | 平ねじ | (1) |
| 30 | | WP-0531000-SD | WASHER M5 | 平座金小形丸 M5 | (1) |
| 31 | | SM-4050855-SP | SCREW | なべねじ M5 L=8 | (1) |
| 32 | | 400-26282 | FEED ROCKER BASE SHAFT | 水平送り台軸 | 1 |
| 33 | | 105-23702 | WASHER | 天秤クランクワッシャ | 1 |
| 34 | | 400-86735 | ADJUSTING LINK ASM. | 送り調節リンク(組) | 1 |
| 35 | | 400-86695 | FEED_ADJUSTING_LINK | 送り調節リンク | (1) |
| 36 | | 400-86696 | FEED_ADJUSTING_LINK_PIN | 調節リンクピン | (2) |
| 37 | | SM-80506A2-TP | SCREW M5 L=6 | 六角穴付き止めねじ M5 L=6 | (2) |
| 38 | | 401-72467 | ADJUSTING_LINK_FULCRUM_SHAFT | 調節リンク支点軸 | 1 |
| 39 | | SM-80606A2-TP | SCREW M6 L=6 | 六角穴付き止めねじ M6 L=6 | 1 |
| 40 | | 400-86736 | RUBBER PLUG | 支点軸穴キャップ | 1 |
| 41 | | 401-72460 | FEED_CHANGING_SHAFT | 送り変換軸 | 1 |
| 42 | | SM-80606A2-TP | SCREW M6 L=6 | 六角穴付き止めねじ M6 L=6 | 1 |
| 43 | | 401-72508 | FEED_CHANGING_SHAFT_METAL_A | 送り変換軸メタル_A | 1 |
| 44 | | 401-72138 | FEED_CHANGING_DUST_SEAL | 変換軸ダストシール | 1 |
| 45 | | 400-86616 | FEED_CHANGING_SHAFT_METAL_B | 送り変換軸メタルB | 1 |
| 46 | | 401-72378 | REVERSE_FEED_LEVER | 逆送りレバー | 1 |
| 47 | | 401-74291 | FEED_CONTROL_SENSOR_PLATE | 逆送りセンサ板 | 1 |
| 48 | | SM-4040655-SP | SCREW M4 L=6 | なべ小ねじ M4 L=6 | 1 |
| 49 | | 401-72509 | FEED_LEVER_SHAFT | 送りレバー軸 | 1 |
| 50 | | 401-72510 | FEED_LEVER_SHAFT_METAL | 送りレバー軸メタル | 1 |
| 51 | | B2431-215-000 | THREAD TRIMMER LINK SPRING | 糸切りリンクばね | 2 |
| 52 | | 401-74293 | ASSY_FEED_LEVER_ARM | 送りレバー腕(組) | 1 |
| 53 | | 401-74294 | FEED_LEVER_ARM | 送りレバー腕 | (1) |
| 54 | | 229-12307 | PIN | 送りレバー腕ピン | (1) |
| 55 | | SM-6051602-TP | SCREW M5X0.8 L=16 | 六角穴ボルト M5X0.8 L=16 | (1) |
| 56 | | 229-52501 | BACK LEVER STOPPER | バックレバーストッパー | 2 |
| 57 | | SM-6051850-TP | SCREW M5 L=18 | 平小ねじ M5 L=18 | 2 |
| 58 | | 401-74405 | FEED_CONTROL_SENSOR_BASE_ASM | 逆送りセンサ取付板組 | 1 |
| 59 | | SM-4040655-SP | SCREW M4 L=6 | なべ小ねじ M4 L=6 | 2 |
| 60 | | 401-74317 | FEED_ROCKER_SHAFT | 水平送り軸 | 1 |
| 61 | | SM-8050612-TP | SCREW M5X6 | 止めねじ M5X0.8 L=6 | 2 |

6. VERTICAL FEED COMPONENTS

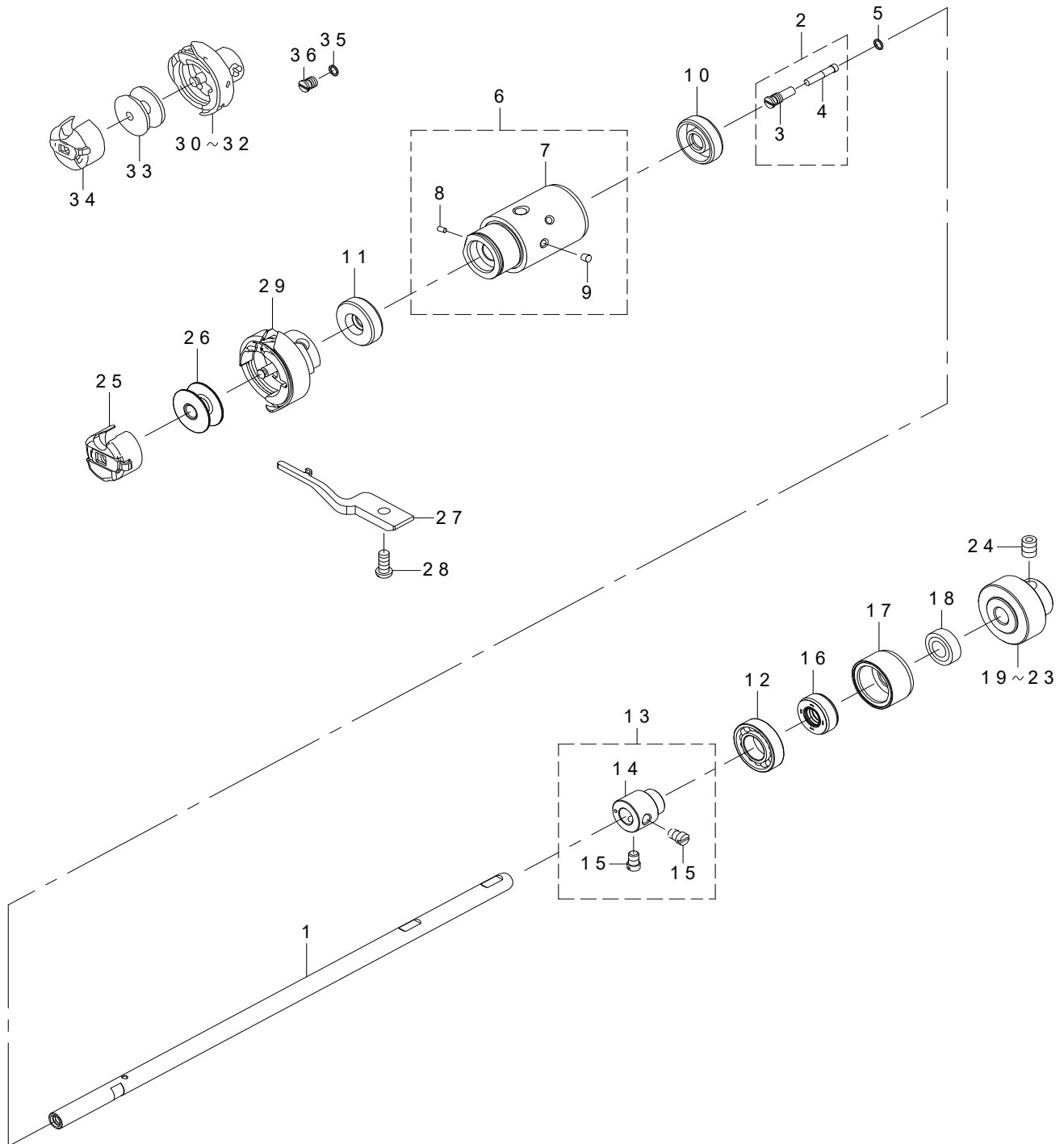
上下送り関係



| REF.NO | NOTE | PART NO | DESCRIPTION | 品名 | Qty |
|--------|------|---------------|----------------------------|--------------------|-----|
| 1 | | 401-74590 | LOWER_SHAFT_METAL | 下軸中メタル | 1 |
| 2 | | 401-72137 | LOWER_SHAFT_REAR_DUST_SEAL | 下軸後ダストシール | 1 |
| 3 | | SB-1200018-00 | BEARING | ころがり軸受 | 1 |
| 4 | | RC-1200001-KP | C-SHAPED SNAP RING | C形止め輪 | 1 |
| 5 | | 401-74321 | LOWER_SHAFT | 下軸 | 1 |
| 6 | | SB-4120001-00 | BEARING | ころがり軸受 | 1 |
| 7 | | CS-1201171-TP | THRUST COLLAR D=12 W=11 | スラスト受 D=12 W=11 | 1 |
| 8 | | SM-80606A2-TP | SCREW M6 L=6 | 六角穴付き止めねじ M6 L=6 | 2 |
| 9 | | 401-74325 | BEARING | ベアリング | 1 |
| 10 | | 401-68922 | VERTICAL FEED MOTOR | 上下送りモータ | 1 |
| 11 | | SM-6041002-TP | SCREW M4X0.7 L=10 | 六角穴ボルト M4X0.7 L=10 | 4 |
| 12 | | 401-72455 | VERTICAL_MOTOR_BASE | 上下モーター土台 | 1 |
| 13 | | SM-6061002-TP | SCREW M6 L=10 | 六角穴ボルト M6 L=10 | 2 |
| 14 | | 401-72443 | FEED_BASE_DRIVING_LINK | 送り台上下リンク | 1 |
| 15 | | 401-74581 | FEED_PIN_A | 送りピンA | 1 |
| 16 | | 401-74582 | FEED_PIN_B | 送りピンB | 1 |
| 17 | | SM-9040650-TP | SCREW M4 L=6 | 六角ボルト M4 L=6 | 2 |
| 18 | | 401-72444 | FEED_LINK_ARM_A_COMPL | 上下リンク腕A組 | 1 |
| 19 | | SM-4051255-SP | SCREW M5 L=12 | なべねじ M5 L=12 | 1 |
| 20 | | WP-0550800-SP | WASHER 5.5X10X0.8 | 平座金 5.5X10X0.8 | 1 |
| 21 | | 401-72446 | FEED_LINK_ARM_B_COMPL | 上下リンク腕B組 | 1 |
| 22 | | SM-4051255-SP | SCREW M5 L=12 | なべねじ M5 L=12 | 2 |
| 23 | | 401-72454 | FEED_CONNECT_LINK | 上下連結リンク | 1 |
| 24 | | 401-72448 | FEED_MOTOR_LINK_COMPL | 上下モータリンク組 | 1 |
| 25 | | SM-8480652-TP | SCREW | 止めねじ M6X0.75 L=6 | 2 |
| 26 | | 133-19405 | MAIN FEED ROCKER PIN | メインフィードロッカーピン | 2 |
| 27 | | SB-4080001-00 | BEARING | ころがり軸受 | 1 |
| 28 | | 401-72440 | FEED_BASE_COMPL | 送り台(結合) | 1 |
| 29 | | 401-72453 | FEED_LINK_SHAFT | 上下リンク軸 | 1 |
| 30 | ☆ | SS-4080620-TP | SCREW 1/8-44 L=6 | なべねじ 1/8-44 L=6 | 2 |
| 31 | | RC-0740811-KP | C-RING | C形止め輪 8 | 1 |
| 32 | | WP-0820516-SP | WASHER 11.6X8.2X0.6 | 平座金 11.6X8.2X0.6 | 1 |
| 33 | | SB-4080001-00 | BEARING | ころがり軸受 | 1 |
| 34 | | 401-72451 | FEED_LINK_METAL | 上下リンクメタル | 1 |
| 35 | | 401-72452 | FEED_LINK_METAL_B | 上下リンクメタル_B | 1 |
| 36 | * | 401-91349 | FAN MOTOR ASSY | ファンモータ組 | 1 |
| 37 | | SL-4031491-SC | SCREW M3X14 | 座金付きなべ小ねじ | 2 |
| 38 | | 401-72461 | FAN_PLATE | ファン取付板 | 1 |
| 39 | | SM-4041255-SP | SCREW M4 L=12 | なべ小ねじ M4 L=12 | 1 |
| 40 | | 401-74334 | GEAR_LARGE | 変速歯車(大) | 1 |
| 41 | | 401-72439 | FEED_BASE_STOPPER | 送り台ストッパー | 1 |
| 42 | | SM-6050802-TP | SCREW M5X0.8 L=8 | 六角ボルト M5X0.8 L=8 | 2 |
| 43 | | WP-0550800-SP | WASHER 5.5X10X0.8 | 平座金 5.5X10X0.8 | 2 |
| 44 | #01 | 401-74396 | FEED_BASE_COMPL_H | 送り台(結合)H | 1 |
| 45 | | B1613-012-100 | FEED DOG I | 送り歯 I | 1 |
| 46 | | 401-74577 | UNDER_SPROCKET_ASM. | 下スプロケット_結合 | 1 |
| 47 | | SM-6042000-SP | SCREW | 平ねじ M4 L=20 | (3) |
| 48 | | SM-80608A2-TP | SCREW M6 L=8 | 変速歯車(大)止めねじ M6 L=8 | 2 |
| | | NOTE(注記) | #01....DDL-9000C-SSH ONLY | DDL-9000C-SSHのみ | |

7. HOOK DRIVING COMPONENTS

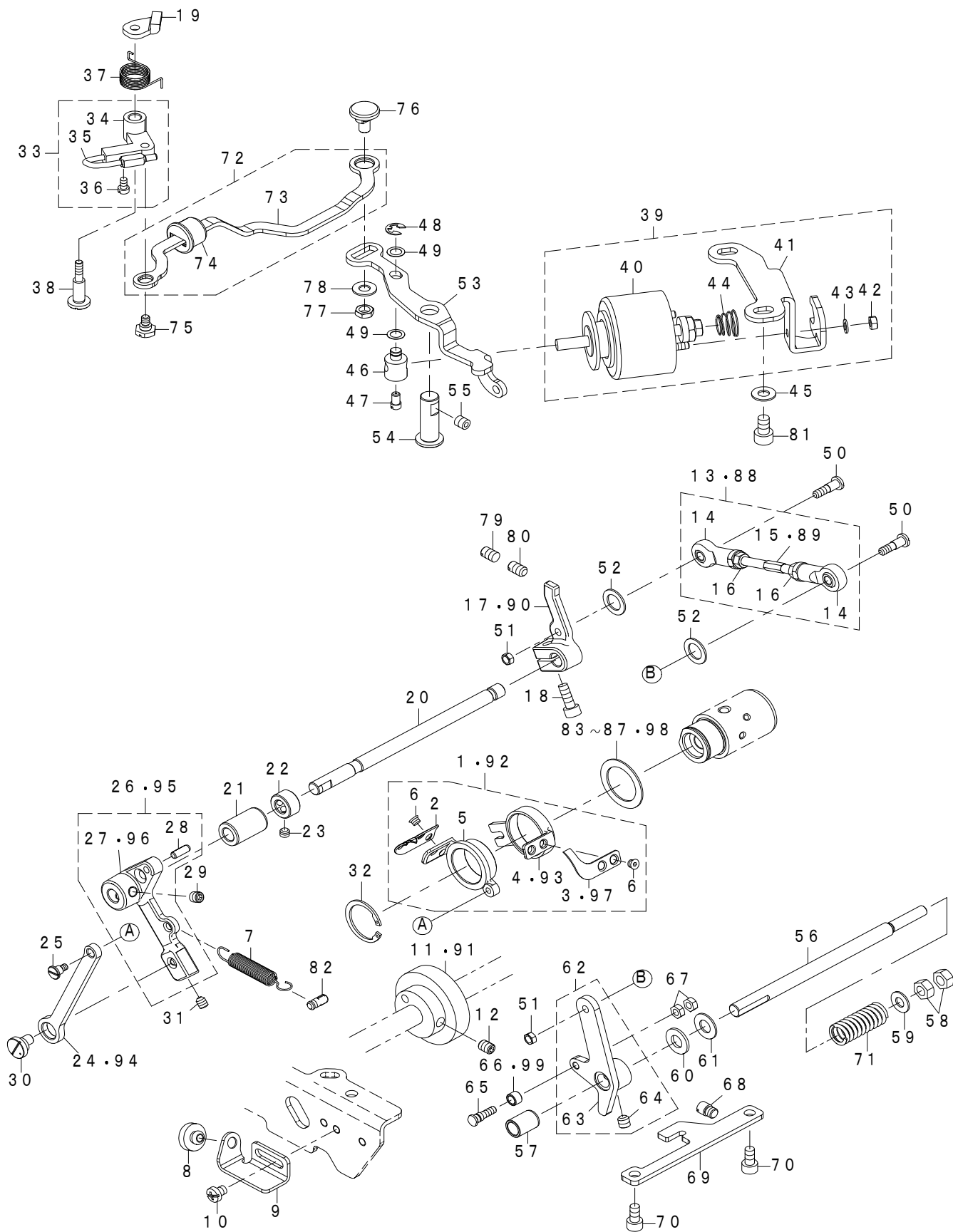
釜軸関係



| REF.NO | NOTE | PART NO | DESCRIPTION | 品名 | Qty |
|--------|------|-------------------|--------------------------------|-----------------------|-----|
| 1 | | 401-74328 | HOOK_SHAFT | 釜軸 | 1 |
| 2 | ☆ | 229-16555 | OIL SEAL SCREW ASM. | 下軸前止めねじ (組) | 1 |
| 3 | | 229-16506 | SET SCREW | 下軸前止めねじ | (1) |
| 4 | | 110-15906 | OIL WICK | 下軸前止めねじ油芯 | (1) |
| 5 | | RO-0360802-00 | RUBBER RING | Oリング | 1 |
| 6 | | 401-74331 | HOOK_SHAFT_METAL_ASM | 釜軸前メタル_組 | 1 |
| 7 | | 401-74332 | HOOK_SHAFT_METAL | 釜軸前メタル | (1) |
| 8 | | TA-0180401-M0 | NEEDLE COOLER PLUG CAP | 止め栓 D=1.8 X 2.1 L=4.3 | (1) |
| 9 | | TA-0290301-M0 | PLUG | 止め栓 D=2.9 X 3.2 L=3 | (1) |
| 10 | | 401-45927 | OIL SEAL | オイルシール | 1 |
| 11 | | 400-10805 | OIL SEAL RING | オイルシール | 1 |
| 12 | | G1812-870-000 | LOWER SHAFT INNER BEARING | 下軸中ベアリング | 1 |
| 13 | | 400-86691 | HOOK_SHAFT_BEARING_SUPPORT_ASM | 釜軸ベアリング受組 | 1 |
| 14 | | 400-86692 | HOOK_SHAFT_BEARING_SUPPORT | 釜軸ベアリング受 | (1) |
| 15 | | SS-6110710-TP | SCREW 11/64 L=6.5 | 平ねじ 11/64-40 L=6.5 | (2) |
| 16 | | 401-72135 | HOOK_SHAFT_DUST_SEAL | 釜軸後ダストシール | 1 |
| 17 | | 401-74333 | HOOK SHAFT REAR METAL | 釜軸後メタル | 1 |
| 18 | | SB-4080001-00 | BEARING | ころがり軸受 | 1 |
| 19 | #01 | 401-74335 | GEAR_SMALL_A | 変速歯車 (小) A | 1 |
| 20 | #01 | 401-74336 | GEAR_SMALL_B | 変速歯車 (小) B | 1 |
| 21 | #01 | 401-74337 | GEAR_SMALL_C | 変速歯車 (小) C | 1 |
| 22 | #01 | 401-74338 | GEAR_SMALL_D | 変速歯車 (小) D | 1 |
| 23 | #01 | 401-74369 | GEAR_SMALL_E | 変速歯車 (小) E | 1 |
| 24 | | SM-80608A2-TP | SCREW M6 L=8 | 六角穴付き止めねじ M6 L=8 | 2 |
| 25 | ☆ | 110-38759 | BOBBIN CASE ASM. | ボビンケース (ばね入り) | 1 |
| 26 | ☆ | 229-64001 | BOBBIN A | ボビン (A) | 1 |
| 27 | | 401-74351 | INNER HOOK HOLDER | 中釜押え | 1 |
| 28 | | SS-4111015-SP | SCREW 11/64-40 L=10 | なべねじ 11/64-40 L=10 | 1 |
| 29 | ☆ | 110-38650 | HOOK ASM. | 給油釜 (組) | 1 |
| 30 | ☆ | #02 228-90404 | RP HOOK C | RP釜C | 1 |
| 31 | ☆ | #02 228-90206 | RP HOOK | RP釜 | 1 |
| 32 | ☆ | #02 228-90305 | RP HOOK S | RP釜S | 1 |
| 33 | ☆ | #02 B9117-552-A00 | BOBBIN | ボビン | 1 |
| 34 | ☆ | #02 228-96252 | BOBBIN CASE ASM. | ボビンケース (組) | 1 |
| 35 | #02 | RO-0360802-00 | RUBBER RING | Oリング | 1 |
| 36 | #02 | 110-79506 | FRONT SCREW | 下軸前止めねじ | 1 |
| | | NOTE(注記) | #01....SELECTIVE PARTS | 選択部品 | |
| | | | #02....OPTIONAL PARTS | オプション部品 | |

8. THREAD TRIMMER COMPONENTS

糸切り関係



| REF.NO | NOTE | PART NO | DESCRIPTION | 品名 | Qty |
|--------|------|---------------|-------------------------------|--------------------|-----|
| 1 | #02 | 401-84950 | KNIFE_UNIT | メスユニット | 1 |
| 2 | ☆ | 401-72487 | HANDLING_DEVICE_KNIFE | 糸さばきメス | (1) |
| 3 | ☆ | 401-72486 | THREAD_TRIMMER_KNIFE | 糸切りメス | (1) |
| 4 | #02 | 401-74318 | THREAD_TRIMMER_BASE | 糸切り土台 | (1) |
| 5 | | 401-72489 | HANDLING_DEVICE_BASE | 糸さばき土台 | (1) |
| 6 | ☆ | 114-20601 | SCREW | メス止めねじ | (4) |
| 7 | | 401-72497 | TRIMMER_BACK_SPRING | 糸切り戻しばね | 1 |
| 8 | | B1116-210-D00 | FRAME_SUPPORT_RUBBER | 頭部支えゴム | 1 |
| 9 | | 401-72498 | RUBBER_STOPPER_PLATE | ストッパーゴム板 | 1 |
| 10 | | SM-4050655-SP | SCREW M5 L=6 | なべ小ねじ M5 L=6 | 2 |
| 11 | | 401-72499 | THREAD_TRIMMER_CAM | 糸切りカム | 1 |
| 12 | | SM-80608A2-TP | SCREW M6 L=8 | 六角穴付き止めねじ M6 L=8 | 2 |
| 13 | #02 | 401-74323 | CONNECTING_ROD_ASM_R | 糸切り連結ロッド(組) | 1 |
| 14 | | 401-36701 | ROD_END | ロッドエンド | (2) |
| 15 | #02 | 401-74324 | CONNECTING_BAR | 糸切り連結軸 | (1) |
| 16 | | NM-6050001-SC | NUT M5X0.8 TYPE1 | 六角ナット M5X0.8 1種 | (2) |
| 17 | | 401-72500 | TRIMMER_MOVING_ARM | 糸切り駆動腕 | 1 |
| 18 | | SM-6051402-TP | SCREW M5X0.8 L=14 | 六角穴ボルト | 1 |
| 19 | | 400-62168 | PICKER_SPRING_HOOK | ピッカーばね掛け | 1 |
| 20 | | 401-72481 | TRIMMER_MOVING_SHAFT | 糸切り駆動軸 | 1 |
| 21 | | 401-72482 | THREAD_TRIMMER_METAL_A | 糸切りメタル_A | 1 |
| 22 | | CS-0800881-TP | THRUST_COLLAR | スラスト受 D=8 W=8 | 1 |
| 23 | | SM-80506A2-TP | SCREW M5 L=6 | 六角穴付き止めねじ M5 L=6 | 2 |
| 24 | | 401-72484 | THREAD_TRIMMER_ROD | 糸切りロッド | 1 |
| 25 | | SD-0500403-TP | SCREW | 段ねじ | 1 |
| 26 | | 401-72477 | THREAD_TRIMMER_ARM_ASM | 糸切り腕(組) | 1 |
| 27 | | 401-72478 | THREAD_TRIMMER_ARM | 糸切り腕 | (1) |
| 28 | | 401-72479 | THREAD_TRIMMER_ARM_PIN | 糸切り腕ピン | (1) |
| 29 | | SM-8480652-TP | SCREW | 止めねじ M6X0.75 L=6 | 2 |
| 30 | | 401-72480 | TRIMMER_ADJUSTINGT_PIN | 糸切り調節ピン | 1 |
| 31 | | SM-80506A2-TP | SCREW M5 L=6 | 六角穴付き止めねじ M5 L=6 | 2 |
| 32 | | RC-2651218-KP | RETAINING_RING | C形止め輪 | 1 |
| 33 | | 400-36998 | ASSY_PICKER_ARM | ピッカー腕(組) | 1 |
| 34 | | 400-61215 | PICKER_ARM | ピッカー腕 | (1) |
| 35 | | 400-36997 | ASSY_PICKER | ピッカー組 | (1) |
| 36 | | SS-6090670-TP | SCREW 9/64-40 L=6 | 平ねじ 9/64-40 L=6 | (2) |
| 37 | | 400-29398 | PICKER_SPRING | ピッカーばね | 1 |
| 38 | | SD-0641456-TP | SHOULDER_SCREW D=6.35 H=14.5 | 段ねじ D=6.35 H=14.5 | 1 |
| 39 | | 401-72491 | THREAD_TRIMMER_SOLENOID_F_ASM | 糸切りソレノイド_F(組) | 1 |
| 40 | | 401-72494 | THREAD_TRIMMER_SOLENOID_F | 糸切りソレノイド_F | (1) |
| 41 | | 401-74583 | SOLENOID_INSTALLING_BASE | ソレノイド取付板 | (1) |
| 42 | | NM-6040001-SE | NUT M4 | 六角ナット | (2) |
| 43 | | WS-0410002-KR | SPRING_WASHER M4 | ばね座金 M4 | (2) |
| 44 | | 401-74584 | SPRING | 円錐コイルばね | (1) |
| 45 | | WP-0621016-SD | WASHER 6.2X13X1 | 平座金 6.2X13X1 | 2 |
| 46 | | 400-86711 | SOLENOID_PIN | ソレノイドピン | 1 |
| 47 | | SS-6110710-TP | SCREW 11/64-40 L=6.5 | 平ねじ 11/64-40 L=6.5 | 1 |
| 48 | | RE-0500000-K0 | E-RING | E形止め輪 5 | 1 |
| 49 | | 106-18304 | VERTICAL_ROLLER_WASHER | 従動ローラーワッシャー | 2 |
| 50 | | SD-0500701-TP | SHOULDER_SCREW | 段ねじ D=5 H=7 | 2 |
| 51 | | NS-6110310-SP | HEXAGONAL_NUT 11/64-40 | 六角ナット 11/64-40 | 2 |
| 52 | | 400-86712 | CONNECTING_ROD_FELT | 連結ロッドフェルト | 2 |
| 53 | | 401-72495 | CLUTCH_PLATE | クラッチ板 | 1 |
| 54 | | 400-86635 | CLUTCH_SHAFT | クラッチ軸 | 1 |
| 55 | | SM-8060812-TP | SCREW M6 L=8 | 止めねじ M6 L=8 | 1 |
| 56 | | 401-72496 | THREAD_TRIMMER_SHAFT | 糸切り軸 | 1 |
| 57 | | 401-72483 | THREAD_TRIMMER_METAL_B | 糸切りメタル_B | 1 |
| 58 | | NM-6060001-SC | NUT M6X1 TYPE1 | 六角ナット M6X1 1種 | 2 |
| 59 | | WP-0621016-SH | WASHER | 平座金 | 1 |
| 60 | | B1116-804-000 | CLOTH_PLATE_WASHER | 布台座 | 1 |
| 61 | | 400-90099 | WASHER | 糸切りストッパー受 | 1 |
| 62 | * | 401-82053 | ASSY_CAM_FOLLOWER | カム従動子(組) | 1 |
| 63 | * | 401-81990 | CAM_FOLLOWER_ASM. | カム従動子組 | (1) |
| 64 | | SM-80606A2-TP | SCREW M6 L=6 | 六角穴付き止めねじ M6 L=6 | (2) |
| 65 | | 400-86748 | ROLLER_SHAFT | コロボ | 1 |
| 66 | #01 | 400-15671 | CAM_ROLLER | カムローラー | 1 |
| 67 | | NM-6040001-SP | NUT M4X0.7 | 六角ナット M4X0.7 1種 | 2 |
| 68 | | 400-86623 | STOPPER_SCREW | ストッパーねじ | 1 |
| 69 | | 401-72490 | CAM_FOLLOWER_STOPPER | カム従動子ストッパー | 1 |
| 70 | | SM-6050802-TP | SCREW M5X0.8 L=8 | 六角穴ボルト M5X0.7 L=8 | 2 |
| 71 | | 401-72504 | THREAD_TRIMMER_SPRING_D | 糸切りばね_D | 1 |
| 72 | | 401-72501 | PICKER_LINK_ASM | ピッカーリンク(組) | 1 |
| 73 | | 401-72502 | PICKER_LINK | ピッカーリンク | (1) |
| 74 | | 401-72503 | PICKER_LINK_RUBBER | ピッカーリンクゴム | (1) |
| 75 | | SD-0630275-SP | HINGE_SCREW D=6.35 H=2.7 | 段ねじ D=6.35 H=2.7 | 1 |
| 76 | | 229-50000 | PICKER_LINK_PIN | ピッカーリンクピン | 1 |
| 77 | | NS-6150310-SP | NUT 15/64-28 | 六角ナット 15/64-28 | 1 |
| 78 | | WP-0621016-SH | WASHER | 平座金 | 1 |
| 79 | | SM-8061050-TP | SCREW | 止めねじ M6 L=10 | 1 |
| 80 | | SM-8061010-TP | SCREW | 止めねじ M6 L=10 | 1 |
| 81 | | SM-6061002-TP | SCREW M6 L=10 | 六角穴ボルト M6 L=10 | 2 |
| 82 | | 137-38802 | SUSPENSION_SCREW | ボビン押え差動ばね掛け | 1 |
| 83 | #01 | 114-19504 | THRUST_COLLAR A | スラスト受 A | 1 |
| 84 | #01 | 114-19603 | THRUST_COLLAR B | スラスト受 B | 1 |
| 85 | #01 | 114-19702 | THRUST_COLLAR C | スラスト受 C | 1 |
| 86 | #01 | 114-19801 | THRUST_COLLAR D | スラスト受 D | 1 |
| 87 | #01 | 114-19900 | THRUST_COLLAR E | スラスト受 E | 1 |
| 88 | | 401-74398 | CONNECTING_ROD_ASM_R | 糸切り連結ロッド組 R | 1 |
| 89 | | 400-86709 | CONNECTING_BAR | 連結棒 | (1) |
| 90 | #02 | 401-74315 | TRIMMER_MOVING_ARM | 糸切り駆動腕 | 1 |
| 91 | #02 | 401-74316 | THREAD_TRIMMER_CAM | 糸切りカム | 1 |
| 92 | #03 | 401-72485 | KNIFE_UNIT | メスユニット | 1 |
| 93 | | 401-72488 | THREAD_TRIMMER_BASE | 糸切り土台 | (1) |
| 94 | #02 | 401-68860 | THREAD_TRIMMER_ROD | 糸切りロッド | 1 |
| 95 | #02 | 401-74600 | THREAD_TRIMMER_ARM_ASM | 糸切り腕(組) | 1 |
| 96 | #02 | 401-74314 | THREAD_TRIMMER_ARM | 糸切り腕 | (1) |
| 97 | #02 | 401-84951 | THREAD_TRIMMER_KNIFE | 糸切りメス | (1) |
| 98 | * | 401-74612 | SPACER | スペーサー | 1 |
| 99 | * | 401-74610 | CAM_ROLLER_B | カムローラーB | 1 |

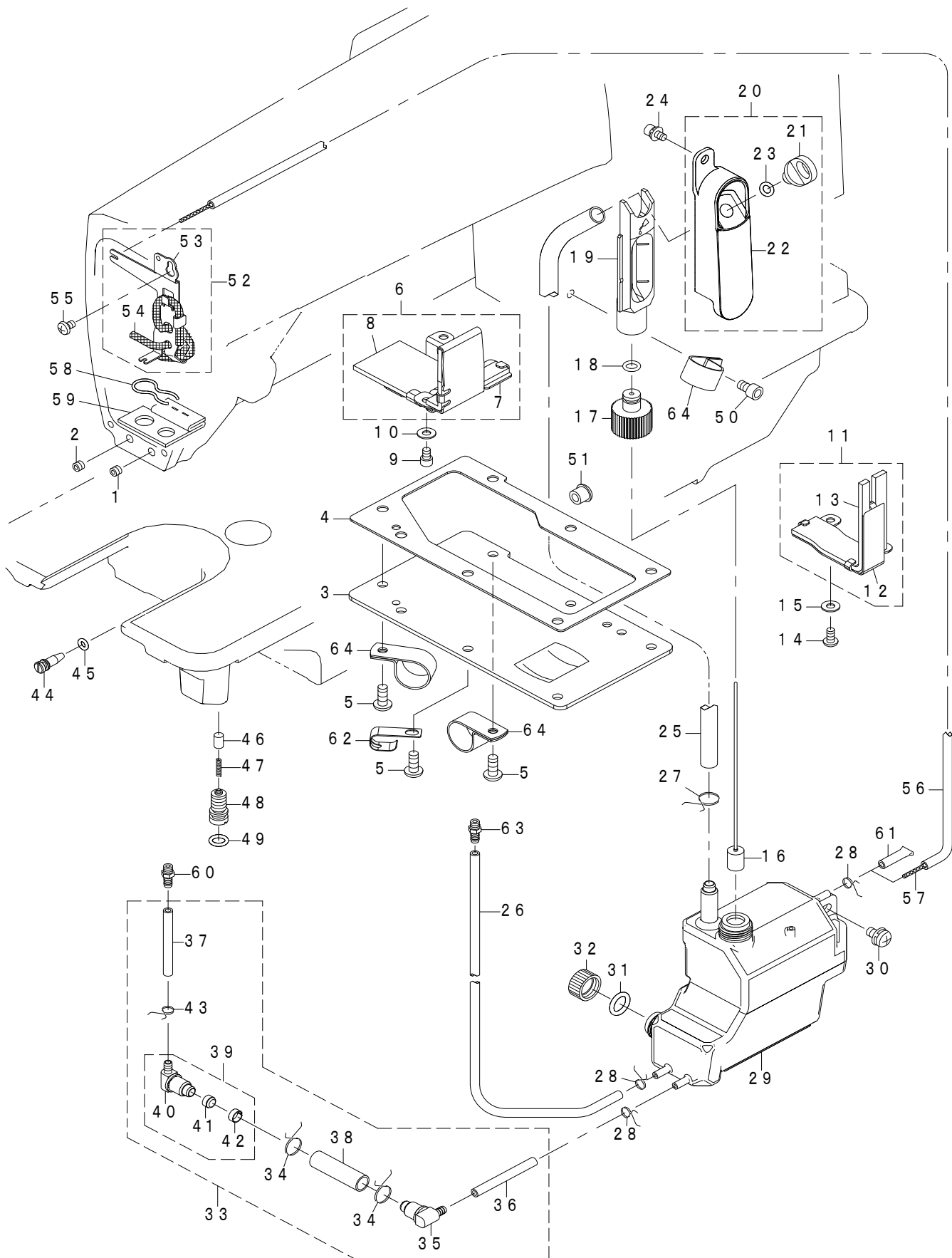
NOTE(注記)

#01...SELECTIVE PARTS
#02...DDL-9000C-SSH ONLY
#03...EXCEPT DDL-9000C-SSH

選択部品
DDL-9000C-SSHのみ
DDL-9000C-SSH以外

9. OIL LUBRICATION COMPONENTS

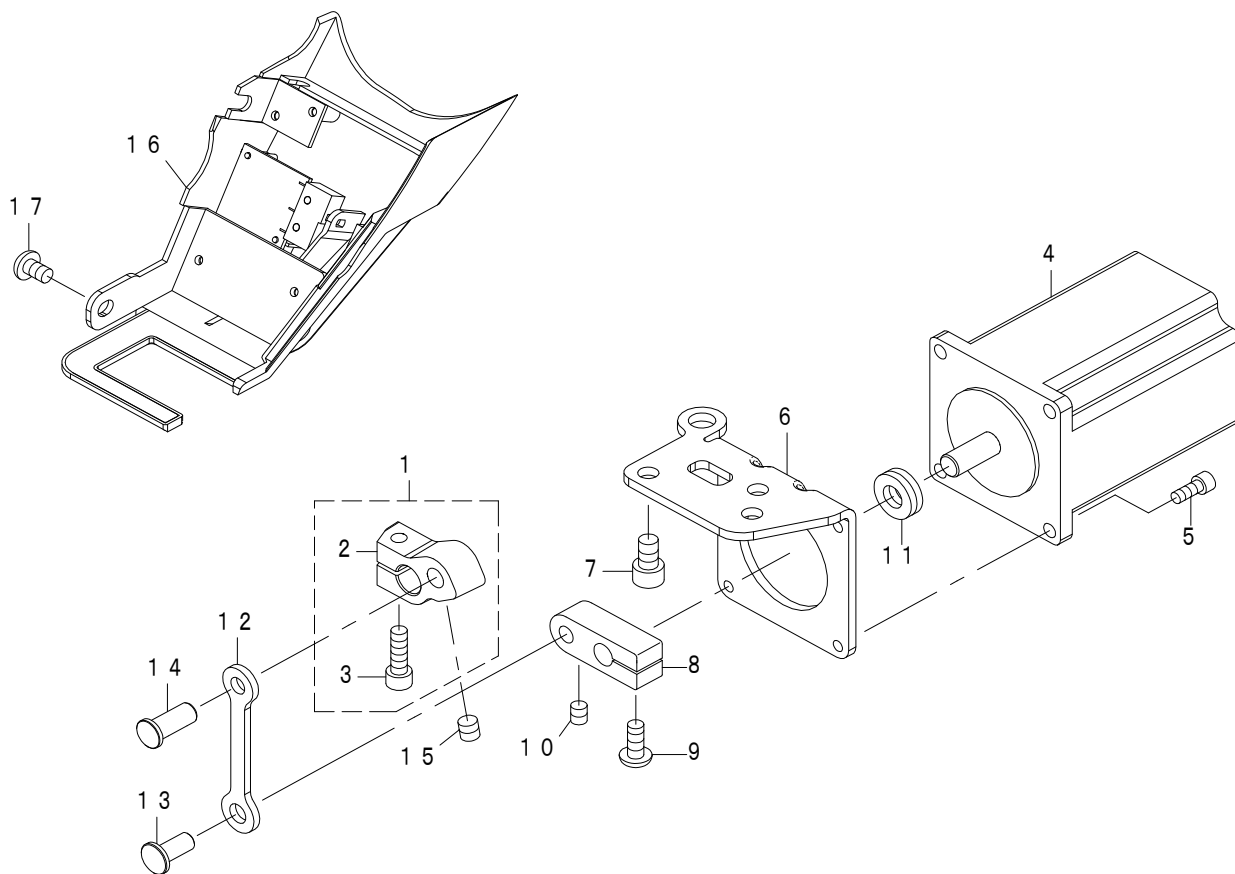
給油関係



| REF.NO | NOTE | PART NO | DESCRIPTION | 品名 | Qty |
|--------|------|---------------|--|------------------------------------|---------|
| 1 | | SM-8050402-TP | SCREW | 止めねじ | 1 |
| 2 | | SM-8050402-TP | SCREW | 止めねじ | 1 |
| 3 | | 401-74358 | GEAR_BOX_COVER | ギアボックス蓋 | 1 |
| 4 | | 401-74359 | GEAR_BOX_PACKING | ギアボックスパッキン | 1 |
| 5 | | SM-4051255-SP | SCREW M5 L=12 | なべねじ M5 L=12 | 6 |
| 6 | | 401-72469 | LINK_COVER_ASM | リンクカバー組 | 1 |
| 7 | | 401-74360 | LINK_COVER | リンクカバー | (1) |
| 8 | | 401-74361 | GEAR_BOX_LUBRICATION_FELT | ギアボックス給油フェルト | (1) |
| 9 | | SM-6040602-TP | SCREW M4X0.7 L=6 | 六角穴ボルト M4X0.7 L=6 | 2 |
| 10 | | WP-0450801-SD | WASHER 4.5X10X0.8 | 平座金 4.5X10X0.8 | 2 |
| 11 | | 401-74306 | FEED_ROCKER_CAM_LUBRICATION_FELT_ASM. | 水平送りカム給油フェルト組 | 1 |
| 12 | | 401-74394 | FELT_PLATE | フェルト取付板 | (1) |
| 13 | | 401-74362 | FEED_ROCKER_CAM_LUBRICATION_FELT | 水平送りカム給油フェルト | (1) |
| 14 | | SM-4040655-SP | SCREW M4 L=6 | なべ小ねじ M4 L=6 | 2 |
| 15 | | WP-0450801-SD | WASHER 4.5X10X0.8 | 平座金 4.5X10X0.8 | 2 |
| 16 | | 401-72430 | ASSY_FLOATER | 浮き子組 | 1 |
| 17 | | 401-72433 | FLOATER_CAP | 浮き子キャップ | 1 |
| 18 | | RO-0611801-00 | RUBBER RING | Oリング | 1 |
| 19 | | 401-72437 | FLOATER_CASE_GUIDE | 浮き子ケース案内 | 1 |
| 20 | | 401-49785 | ASSY_FLOATER_SIGHT_WINDOW_B | 浮き子指示窓B組 | 1 |
| 21 | | 400-00344 | LUBRICATING INLET CAP | 給油口キャップ | (1) |
| 22 | | 400-86697 | FLOATER_SIGHT_WINDOW_B | 浮き子指示窓B | (1) |
| 23 | | RO-0481901-00 | RUBBER RING | Oリング | (1) |
| 24 | | SL-6040892-TN | BOLT | 座金付き六角穴ボルト | 1 |
| 25 | | 236-30106 | TUBE B | チューブB | 0.1 |
| 26 | | 236-30007 | TUBE | チューブ | 0.43 |
| 27 | | 236-29405 | PIPE STOPPER B | パイプ止めB | 1 |
| 28 | | 236-29306 | PIPE STOPPER A | パイプ止めA | 3 |
| 29 | | 401-72436 | OIL_TANK | オイルタンク | 1 |
| 30 | | SL-4051091-SC | SCREW M5X0.8 L=10 | なべ小ねじセムス M5X0.8 L=10 | 2 |
| 31 | | RO-0982401-00 | O-RING | Oリング | 1 |
| 32 | | 400-13595 | OIL_EXIT_CAP | 廃油キャップ | 1 |
| 33 | | 401-74307 | OIL_FILTER_ASM. | オイルフィルター(組) | 1 |
| 34 | | 236-29405 | PIPE STOPPER B | パイプ止めB | (2) |
| 35 | | 236-30601 | OIL FILTER JOINT | オイルフィルタージョイント | (1) |
| 36 | | 236-30007 | TUBE | チューブ | (0.045) |
| 37 | | 401-78658 | PIPE | パイプ | (0.27) |
| 38 | | 236-30106 | TUBE B | チューブB | (0.035) |
| 39 | | 236-30650 | OIL FILTER JOINT ASM. | オイルフィルタージョイント(組) | (1) |
| 40 | | 236-30601 | OIL FILTER JOINT | オイルフィルタージョイント | (1) |
| 41 | | 236-30403 | OIL FILTER | オイルフィルター | (1) |
| 42 | | 236-30502 | OIL FILTER STOPPER | オイルフィルター止め | (1) |
| 43 | * | 236-29306 | PIPE STOPPER A | パイプ止めA | (1) |
| 44 | | 401-74365 | OIL ADJUSTING SCREW | 釜油量調節ねじ | 1 |
| 45 | | RO-0371801-00 | RUBBER RING | Oリング | 1 |
| 46 | | 236-28803 | PLUNGER | プランジャー | 1 |
| 47 | | 236-28902 | PLUNGER SPRING | プランジャーばね | 1 |
| 48 | | 400-38328 | PLUNGER SCREW | プランジャーねじ | 1 |
| 49 | | RO-0681901-00 | RUBBER RING | Oリング | 1 |
| 50 | | SM-6050802-TP | SCREW M5X0.8 L=8 | 六角穴ボルト M5X0.8 L=8 | 1 |
| 51 | | 229-01409 | NEEDLE BAR UPPER BUSH CAP | 針棒上メタルキャップ | 1 |
| 52 | #02 | 236-29256 | OIL WICK SUPPORT ASM. | 油芯支え(組) | 1 |
| 53 | #02 | 236-29207 | OIL WICK SUPPORT | 油芯支え | (1) |
| 54 | #02 | CQ-2500000-01 | OIL WICK | 油芯 | (0.25) |
| 55 | #02 | SM-5040655-SN | SCREW | バインドねじ | 1 |
| 56 | #02 | 236-30007 | TUBE | チューブ | 0.75 |
| 57 | #02 | CQ-2000000-01 | OIL WICK | 油芯 | 0.18 |
| 58 | #02 | 229-25101 | OIL FELT PRESSER | 還流フェルト押え | 1 |
| 59 | #02 | 400-75404 | FACE FELT ASM. | 面部フェルト(組) | 1 |
| 60 | | 401-74356 | CONNECTING SCREW | パイプ連結ねじ | 1 |
| 61 | #01 | 401-74399 | CAP | オイルタンクキャップ | 1 |
| 62 | | 401-36258 | CORD HOLDER | コード押え | 1 |
| 63 | | SQ-2050453-MZ | CONNECTING SCREW | パイプ連結ねじ | 1 |
| 64 | | HX-0015000-0K | CABLE CLIP | ケーブルクリップ | 3 |
| | | NOTE(注記) | #01...DDL-9000C-SMS ONLY #02...DDL-9000C-SSH ONLY | DDL-9000C-SMSのみ DDL-9000C-SSHのみ | |

10. AUTOMATIC REVERSE FEED COMPONENTS

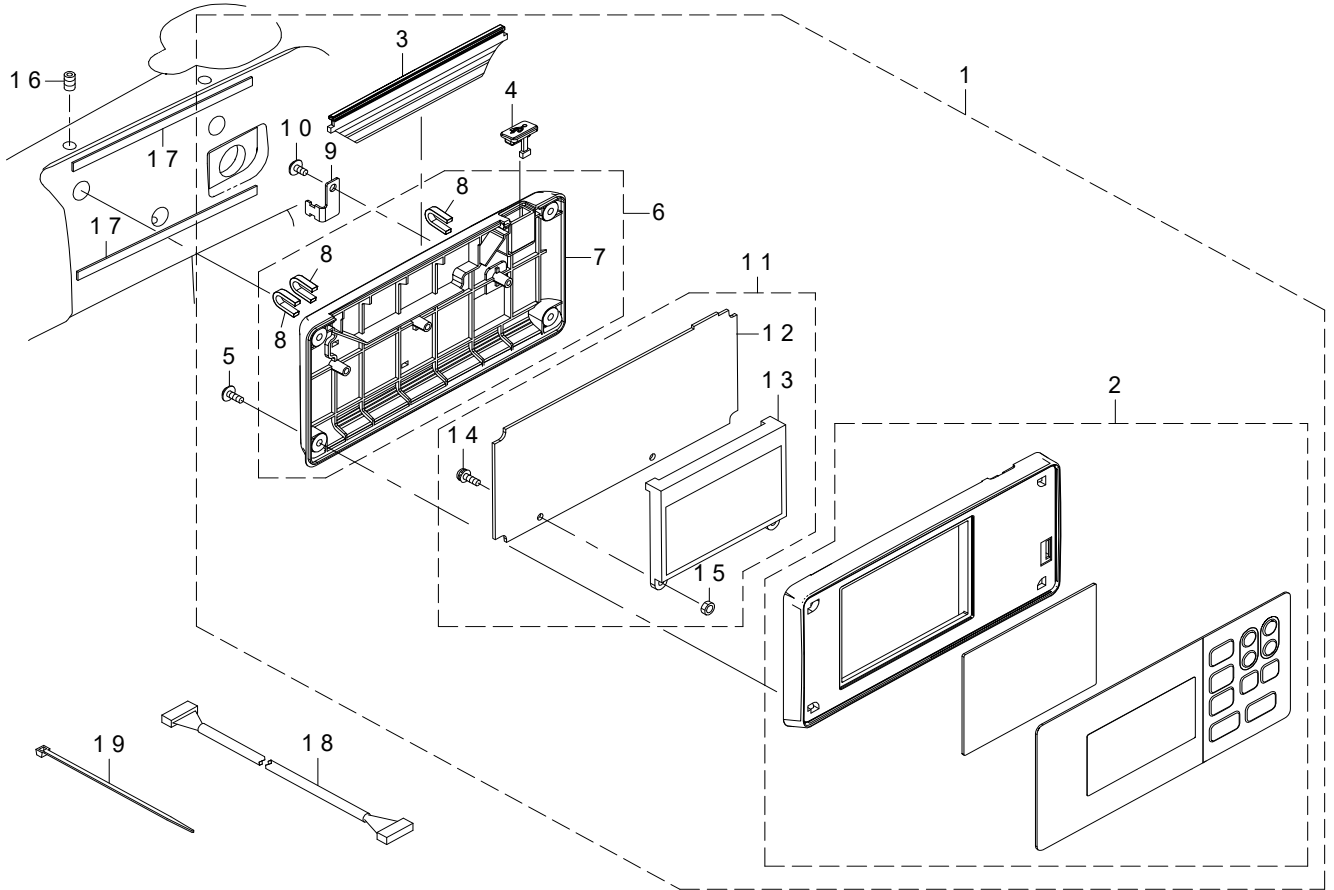
自動逆送り関係



| REF.NO | NOTE | PART NO | DESCRIPTION | 品名 | Qty |
|--------|------|---------------|-----------------------|--------------------|-----|
| 1 | * | 400-95844 | REVERSE_FEED_ARM_ASM. | 逆送り腕 (組) | 1 |
| 2 | * | 400-86698 | REVERSE_FEED_ARM | 逆送りソレノイド腕 | (1) |
| 3 | | SM-6051602-TP | SCREW M5X0.8 L=16 | 六角穴ボルト M5X0.8 L=16 | (1) |
| 4 | | 401-68921 | HORIZONTAL FEED MOTOR | 水平送りモータ | 1 |
| 5 | | SM-6041002-TP | SCREW M4X0.7 L=10 | 六角穴ボルト M4X0.7 L=10 | 4 |
| 6 | | 401-72456 | HORIZONTAL_MOTOR_BASE | 水平モーター玉台 | 1 |
| 7 | | SM-6061002-TP | SCREW M6 L=10 | 六角穴ボルト M6 L=10 | 3 |
| 8 | | 400-10278 | MOTOR LINK | モータリンク | 1 |
| 9 | | SM-4051255-SP | SCREW M5 L=12 | なべねじ M5 L=12 | 1 |
| 10 | | SM-8050612-TP | SCREW M5X6 | 止めねじ M5X0.8 L=6 | 1 |
| 11 | | SB-4080001-00 | BEARING | ころがり軸受 | 1 |
| 12 | | 401-72458 | HORIZ_CONNECT_LINK | 水平連結リンク | 1 |
| 13 | | 401-72457 | HORIZ_MOTOR_LINK_PIN | 水平送りモーターリンクピン | 1 |
| 14 | | 400-86699 | REVERSE_FEED_LINK_PIN | 逆送りリンクピン | 1 |
| 15 | | SM-8480652-TP | SCREW | 止めねじ M6X0.75 L=6 | 1 |
| 16 | ☆ | 401-74372 | LED_TB_SWITCH | LED付TBスイッチ | 1 |
| 17 | | SM-4050855-SP | SCREW | なべねじ M5 L=8 | 2 |

11. OPERATION PANEL COMPONENTS

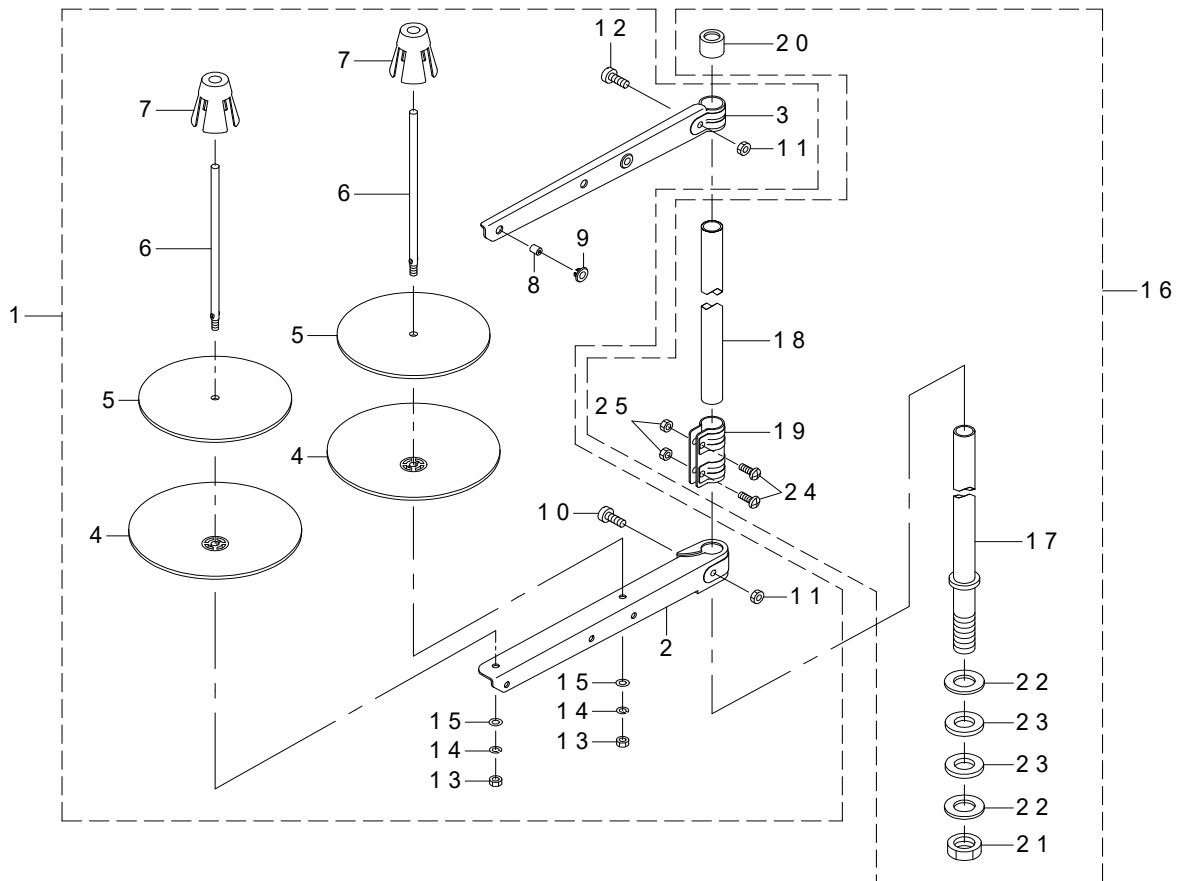
操作パネル関係



| REF.NO | NOTE | PART NO | DESCRIPTION | 品名 | Qty |
|--------|------|---------------|--------------------------------|-----------------|-----|
| 1 | | 401-73460 | PANEL D ASSY | パネル D組 | 1 |
| 2 | ☆ | 401-73461 | PANEL_COVER_D ASSY | 操作パネルカバー前D組 | (1) |
| 3 | | 401-72422 | INDICATOR | インジケータ | (1) |
| 4 | | 401-72423 | USB_COVER | USBカバー | (1) |
| 5 | | SV-4030802-SN | TAPPING SCREW WITH FLANGE M3X8 | 座付きタッピンねじ | (4) |
| 6 | | 401-73459 | PANEL_COVER_R ASM | 操作パネルカバー後組 | (1) |
| 7 | | 401-72386 | PANEL_COVER_R | 操作パネルカバー後 | (1) |
| 8 | | 401-72420 | FIX_PLATE | U形固定板 | (3) |
| 9 | | 401-74580 | PANEL_CABLE_CLAMP_PLATE | パネルケーブル固定板 | (1) |
| 10 | | SV-4030802-SN | TAPPING SCREW WITH FLANGE M3X8 | 座付きタッピンねじ | (1) |
| 11 | | 401-73462 | PNL-D PCB ASSY A | パネル D基板 A組 | (1) |
| 12 | | 401-69408 | PNL-D PCB ASSY | パネル D基板組 | (1) |
| 13 | | 401-63141 | LCD_MODULE | LCDモジュール | (1) |
| 14 | | SL-4031081-SC | SCREW M3X10 | なべねじセムス M3 L=10 | (2) |
| 15 | | NM-6030001-SC | NUT M3X0.5 TYPE1 | 六角ナット M3X0.5 1種 | (2) |
| 16 | | SM-8050802-TP | SCREW M5X0.8 L=8 | 止めねじ M5X0.8 L=8 | 3 |
| 17 | | 401-74408 | PANEL_CSHION_RUBBER | パネルクッションゴム | 2 |
| 18 | | 401-75585 | CTL-PNL CORD ASSY | CTL-PNLコード組 | 1 |
| 19 | | EA-9500B01-00 | CABLE BAND | 束線バンド | 1 |

12. THREAD STAND COMPONENTS

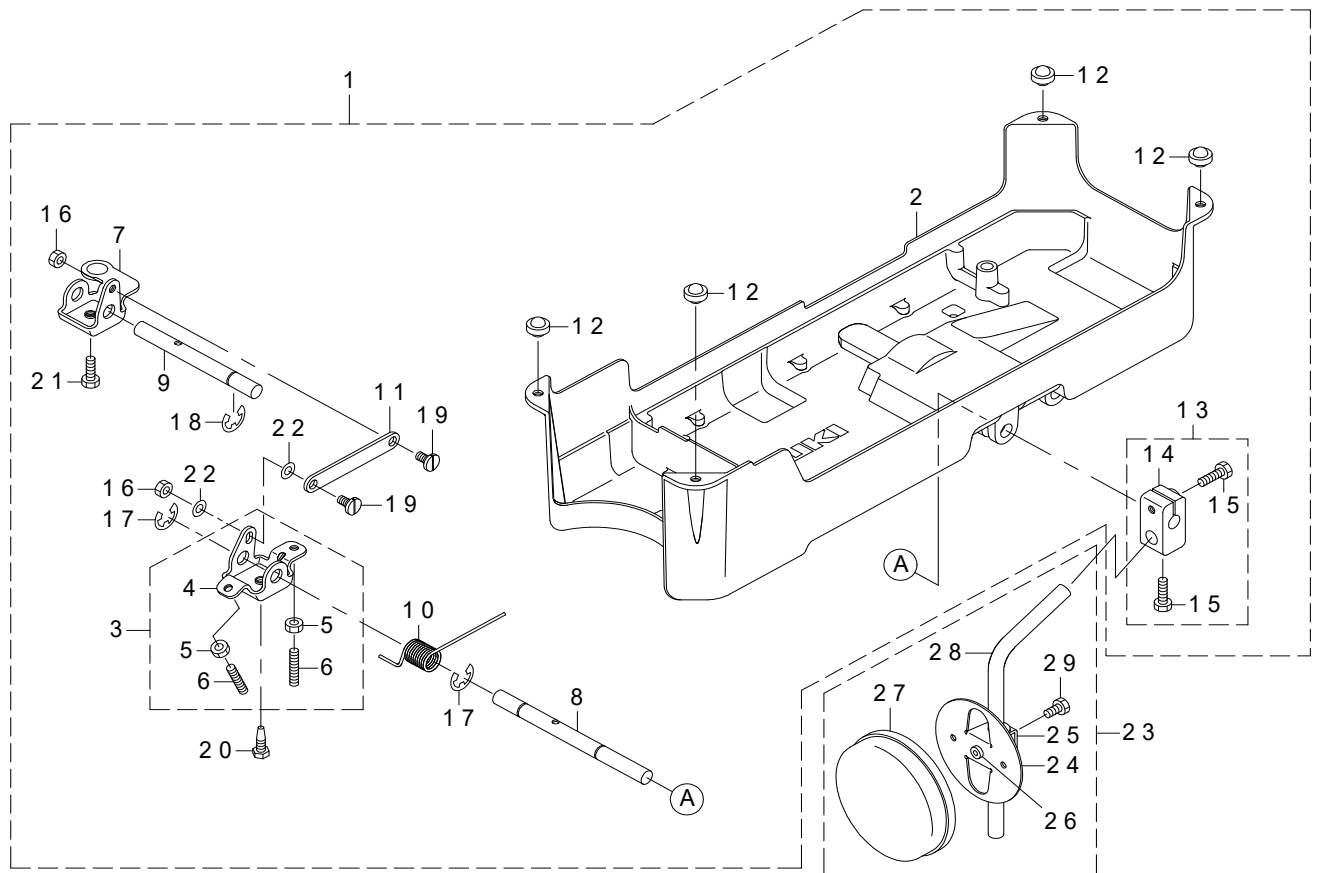
糸立装置関係



| REF.NO | NOTE | PART NO | DESCRIPTION | 品名 | Qty |
|--------|------|---------------|-------------------------------|---------------|-----|
| 1 | | 401-08402 | THRED_STAND_B | 糸立装置B | 1 |
| 2 | | 400-85786 | SPOOL REST ARM (LOWER) | 糸立腕 (下) | (1) |
| 3 | | 400-85787 | SPOOL REST ARM (UPPER) | 糸立腕 (上) | (1) |
| 4 | | 400-85788 | SPOOL REST | 糸巻受皿 | (2) |
| 5 | | 400-85789 | SPOOL REST CUSHION | 糸巻受皿クッション | (2) |
| 6 | | 400-85790 | SPOOL PIN | 糸巻受棒 | (2) |
| 7 | | 400-85791 | SPOOL RETAINER | 糸巻振れ止め | (2) |
| 8 | | 400-85794 | THREAD GUIDE | 糸道 | (2) |
| 9 | | 400-85795 | THREAD GUIDE BUSHING | 糸道ブッシュ | (2) |
| 10 | | 400-96326 | SPOOL REST ARM LOWER SCREW | 糸立腕 (下) 止めねじ | (1) |
| 11 | | NM-6050001-SE | NUT M5 | 六角ナット M5 | (2) |
| 12 | | 400-96327 | SPOOL REST ARM UPPER SCREW | 糸立腕 (上) 止めねじ | (1) |
| 13 | | NM-6050001-SE | NUT M5 | 六角ナット M5 | (2) |
| 14 | | WS-0510002-KN | SPRING WASHER M5 | ばね座金 M5 | (2) |
| 15 | | WP-0531001-SC | WASHER M5 | 平座金みがき丸 M5 | (2) |
| 16 | | 401-08401 | THREAD_STAND_A | 糸立装置A | 1 |
| 17 | | 400-85784 | SPOOL REST ROD LOWER | 糸立棒 (下) | (1) |
| 18 | | 400-85785 | SPOOL REST ROD UPPER | 糸立棒 (上) | (1) |
| 19 | | 400-85792 | SPOOL REST ROD JOINT | 糸立棒継手 | (1) |
| 20 | | 400-85793 | SPOOL REST ROD RUBBER CAP | 糸立棒保護キャップ | (1) |
| 21 | | 400-96325 | SPOOL REST ROD NUT | 糸立棒止ナット | (1) |
| 22 | | WP-1612616-SE | WASHER 16X30X2.6 | 平座金 | (2) |
| 23 | | 400-85796 | SPOOL REST ROD RUBBER CUSHION | 糸立棒防振ゴム | (2) |
| 24 | | SM-4051405-SE | SCREW M5 L=14 | なべ小ねじ M5 L=14 | (2) |
| 25 | | NM-6050001-SE | NUT M5 | 六角ナット M5 | (2) |

13. UNDER COVER COMPONENTS

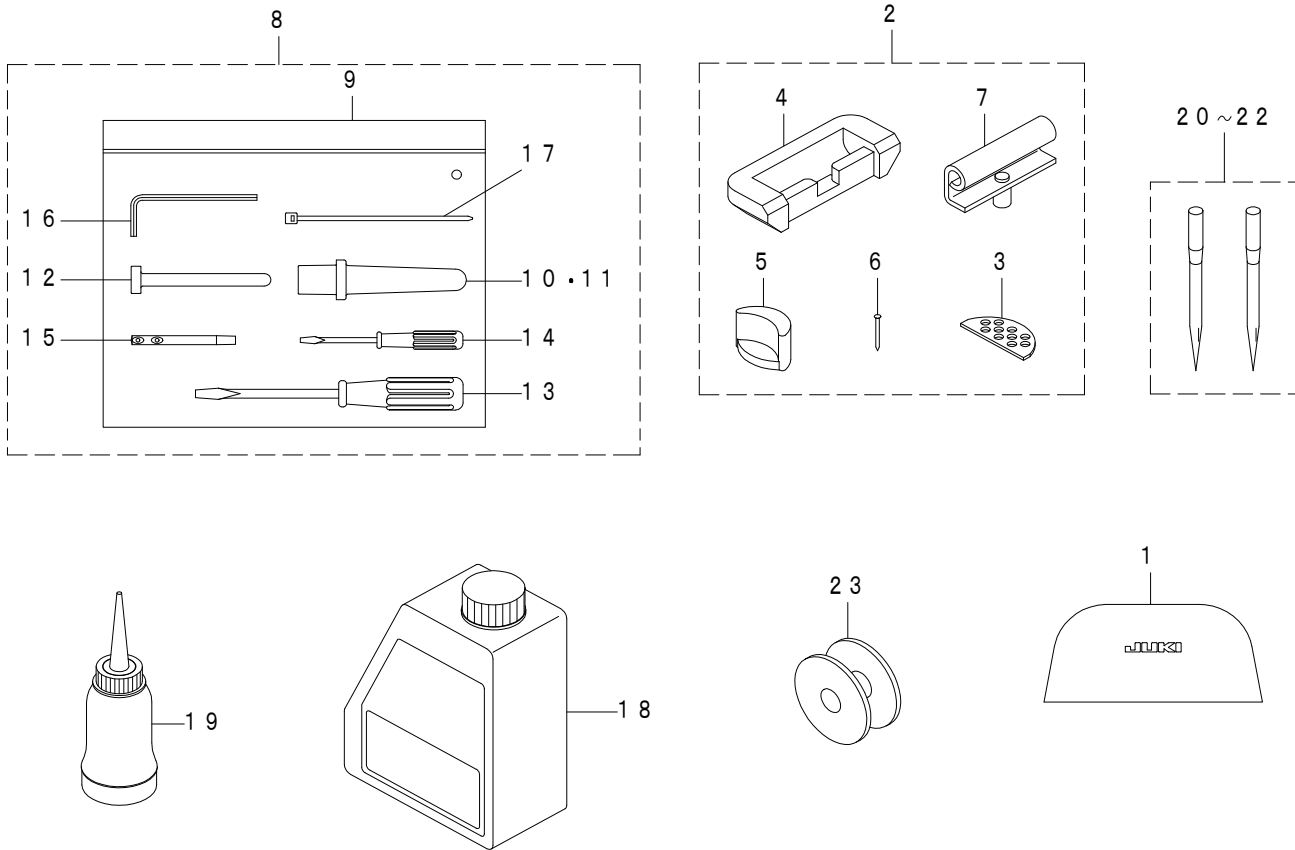
アンダーカバー関係



| REF.NO | NOTE | PART NO | DESCRIPTION | 品名 | Qty |
|--------|------|---------------|--------------------------|------------------|-----|
| 1 | | 400-62321 | UNDER COVER A ASM. | アンダーカバーA組 | 1 |
| 2 | | 236-39008 | UNDER COVER | アンダーカバー | (1) |
| 3 | | 236-39156 | BRACKET ASM. | 膝上げ回転腕(組) | (1) |
| 4 | | 236-39107 | BRACKET | 膝上げ回転腕 | (1) |
| 5 | | NM-6060001-SE | NUT M6 | 六角ナット M6 1種 | (2) |
| 6 | | SM-8063012-TR | SCREW M6 L=30 | 止めねじ | (2) |
| 7 | | 236-39206 | CONNECTING ROT | 膝上げ差動腕 | (1) |
| 8 | | 236-39305 | KNEE PRESS ROD | 膝当て横軸 | (1) |
| 9 | | 236-39404 | SHAFT | 膝上げ差動軸 | (1) |
| 10 | | 236-39503 | SPRING | 膝上げ回転腕ばね | (1) |
| 11 | | 236-39602 | CONNECTING ROD | 膝上げ連結ロッド | (1) |
| 12 | | B1116-210-D00 | FRAME SUPPORT RUBBER | 頭部支えゴム | (4) |
| 13 | | 229-32453 | BRACKET ASM. | 膝当て縦軸取付け腕(組) | (1) |
| 14 | | 229-32404 | BRACKET | 膝当て縦軸取付け腕 | (1) |
| 15 | | 229-34707 | SCREW | 膝当て縦軸取付け腕締めねじ | (2) |
| 16 | | NS-6150310-SP | NUT 15/64-28 | 六角ナット 15/64-28 | (2) |
| 17 | | RE-1000000-K0 | E-RING 10 | E形止め輪 10 | (2) |
| 18 | | RE-1000000-K0 | E-RING 10 | E形止め輪 10 | (1) |
| 19 | | SD-0720331-SP | HINGE SCREW D=7.24 H=3.3 | 段ねじ D=7.24 H=3.3 | (2) |
| 20 | | SM-9061853-SR | SCREW M6 L=17.5 | 六角ボルト | (1) |
| 21 | | SM-9061853-SR | SCREW M6 L=17.5 | 六角ボルト | (1) |
| 22 | | WP-0650876-SD | WASHER 6.5X13X0.8 | 平座金 6.5X13X0.8 | (2) |
| 23 | | 229-34251 | KNEE PAD PLATE ASM. | 膝当て板(組) | 1 |
| 24 | | 229-34202 | KNEE PAD PLATE | 膝当て板 | (1) |
| 25 | | 229-34301 | KNEE PAD PLATE SUPPORT | 膝当て板支え | (1) |
| 26 | | 229-34400 | KNEE PAD PLATE RUBBER | 膝当て板ゴム | (1) |
| 27 | | 229-34509 | KNEE PAD PLATE COVER | 膝当て板カバー | (1) |
| 28 | | 229-34608 | KNEE PAD UPRIGHT SHAFT | 膝当て縦軸 | (1) |
| 29 | | SM-9061203-SE | SCREW M6 L=12 | 六角ボルト M6 L=12 | (1) |

14. ACCESSORIE PART COMPONENTS

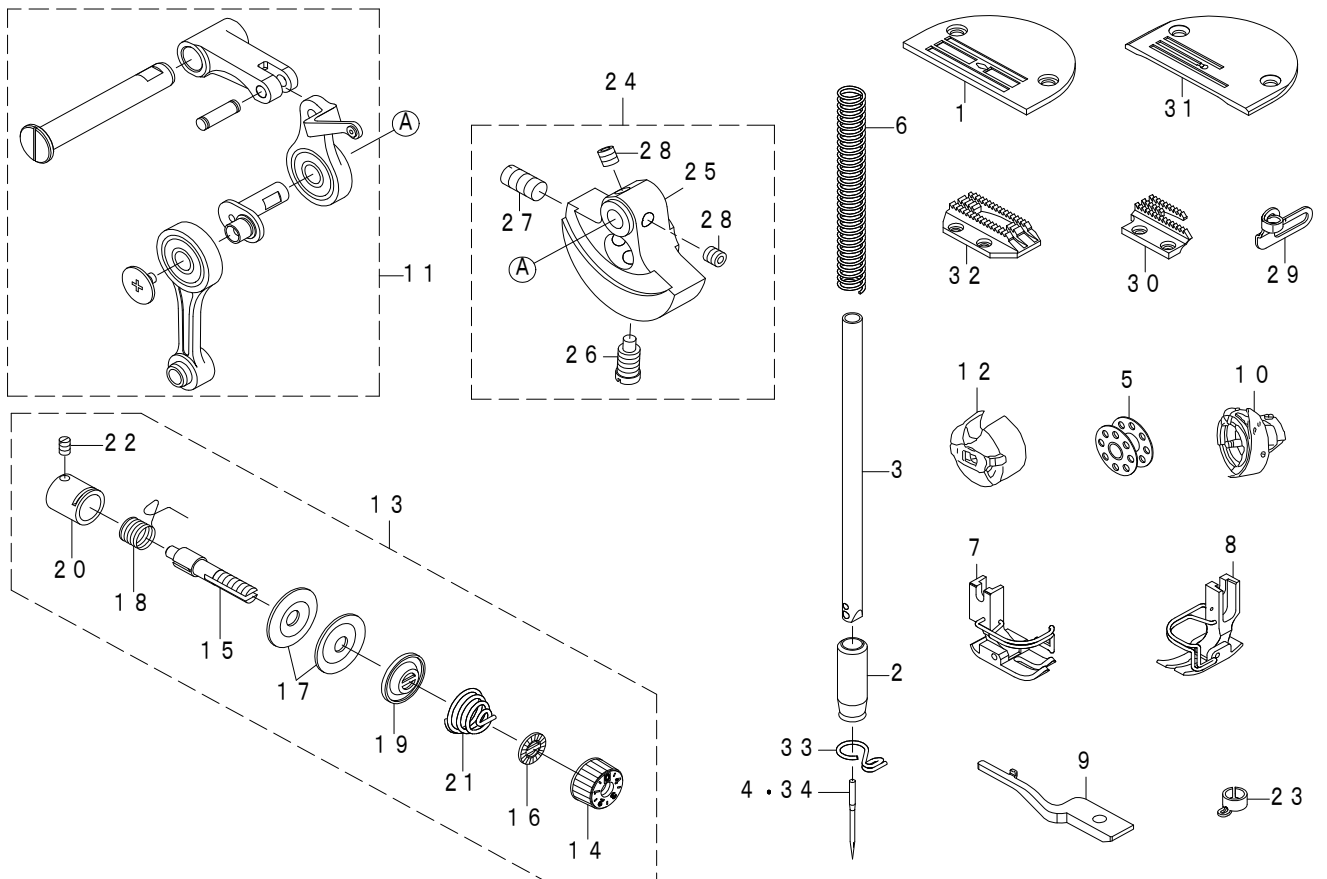
付属品関係



| REF.NO | NOTE | PART NO | DESCRIPTION | 品名 | Qty |
|--------|------|---------------|--|--|-----|
| 1 | | 401-35803 | HEAD COVER | 頭部カバー | 1 |
| 2 | | 229-58052 | RUBBER HINGE ASM. | ラバーヒンジ (組) | 1 |
| 3 | | 229-26505 | WASHER | 頭部クッション座 | (2) |
| 4 | | 229-26000 | RUBBER CUSHION | ゴムヒンジ座 | (2) |
| 5 | | 229-58003 | FRAME RUBBER CUSHION | 頭部支えゴム座 | (2) |
| 6 | | 229-26208 | NAIL | ゴムヒンジ座打ち釘 | (8) |
| 7 | | 229-26356 | HINGE COMPL. | ヒンジ結合 | (2) |
| 8 | | 400-89663 | ACCESSORIE BAG ASM. | 付属品バック (組) | 1 |
| 9 | | 229-32800 | ACCESSORIE BAG | 付属品バック | (1) |
| 10 | | 229-31604 | FRAME SUPPORT BAR | 頭部支え棒 | (1) |
| 11 | #01 | 401-74570 | HEAD_SUPPORT_ROD | 頭部支え棒 | (1) |
| 12 | | 236-39701 | KNEE LIFTER PRESSER ROD | 膝上げ押し棒 | (1) |
| 13 | | 229-33105 | SCREW DRIVER (MIDDLE) | ドライバー (中) | (1) |
| 14 | | 229-33204 | SCREW DRIVER (SMALL) | ドライバー (小) | (1) |
| 15 | | 225-02504 | THREAD GUIDE BAR | 糸案内棒 | (1) |
| 16 | | 400-55591 | HEXAGONAL WRENCH KYE | 六角棒スパン3mm | (1) |
| 17 | | EA-9500B01-00 | CABLE BAND | 束線バンド | (1) |
| 18 | ☆ | 401-02087 | JUKI_MACHINE_OIL_7 | JUKIマシンオイル7 | 1 |
| 19 | | B9121-012-0A0 | OILER ASM. | 油差し組 | 1 |
| 20 | ☆ | #02 | NEEDLE DBX1#14-2 | DBX1#14-2 | 1 |
| 21 | ☆ | #03 | NEEDLE DBX1#11-2 | DBX1#11-2 | 1 |
| 22 | #04 | MC-2005007-52 | 134 #75-2 | 134 #75-2 | 1 |
| 23 | ☆ | 229-64001 | BOBBIN A | ボビン A | 1 |
| | | NOTE(注記) | #01...FOR AK_AA/AK_GG #02...FOR AA/EE #03...FOR GG #04...FOR BB | AK_AA / AK_GG 用 AA / EE 用 GG 用 BB 用 | |

*ABOUT THE DESTINATION, THE SPREAD "HOW TO MAKE USE OF THIS PARTS LIST" PLEASE SEE.
仕向地については、見開きの (パーツリストご利用に際して) を参照して下さい。

15. EXCLUSIVE PARTS DDL-9000C-SSH
DDL-9000C-SSH 専用部品

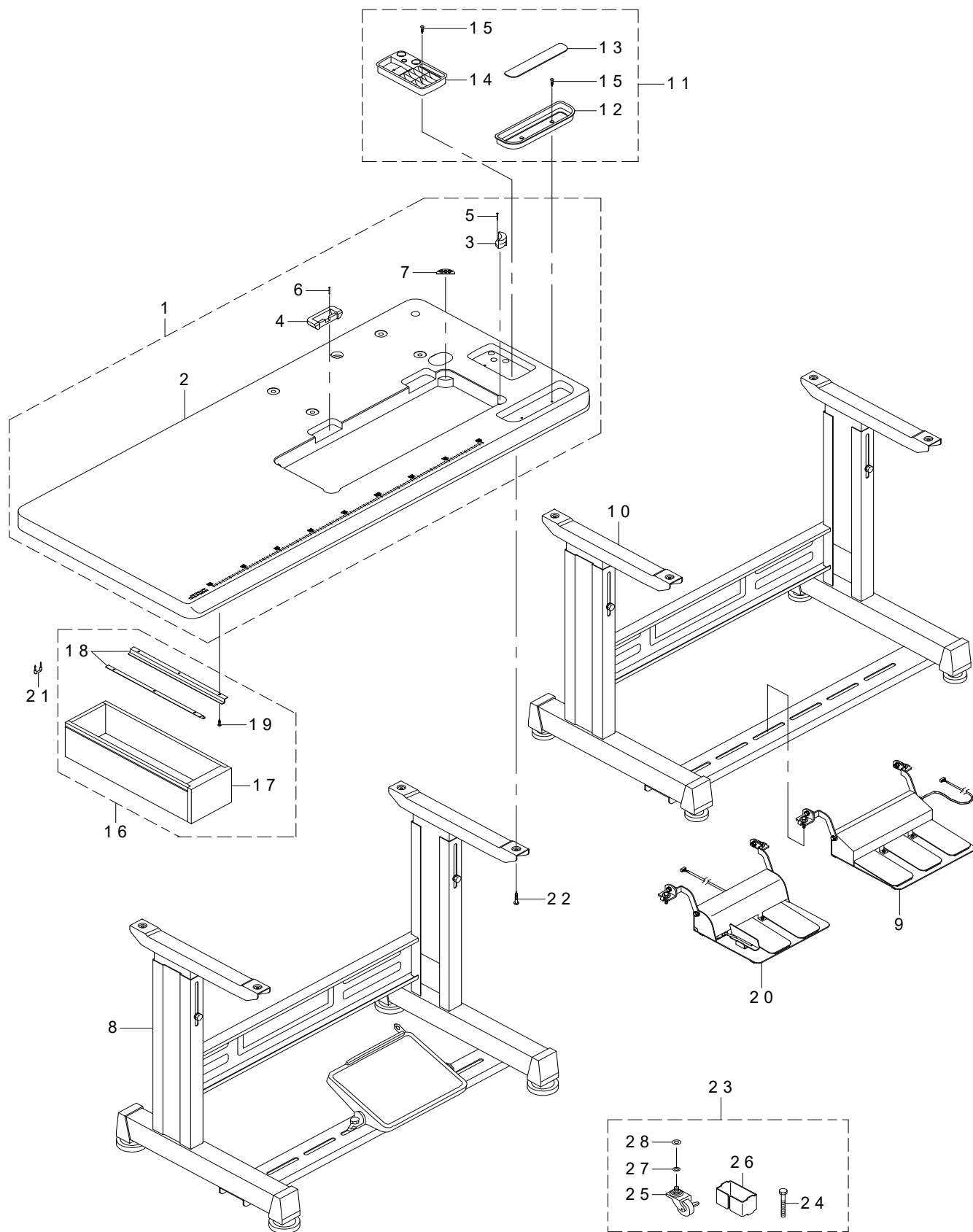


| REF.NO | NOTE | PART NO | DESCRIPTION | 品名 | Qty |
|--------|------|-----------------|--|--|-----|
| 1 | #01 | 400-89605 | THROAT_PLATE_J | 針板 J | 1 |
| 2 | | 401-07708 | NEEDLE_BAR_METAL_LOWER_H | 針棒下メタル_H | 1 |
| 3 | | 400-61767 | NEEDLE BAR H | 針棒H | 1 |
| 4 | ☆ | MDB-100B2100 | NEEDLE DBX1 #21 | 針 DBX1 #21 | 1 |
| 5 | | B9117-012-000 | BOBBIN | ボビン | 1 |
| 6 | | B1505-552-000-A | PRESSER SPRING | 押え調節ばね | 1 |
| 7 | #01 | D1524-555-EBL | PRESSER FOOT ASM. | 自由押え組 (針ガード付き) | 1 |
| 8 | | 400-64839 | PRESSER FOOT ASM. | 自由押え (組) 指ガード付き | 1 |
| 9 | | 401-74353 | INNER_HOOK HOLDER_H | 中金押えH | 1 |
| 10 | ☆ | 110-92251 | LUBRICATING BOBBIN ASM. | 給油釜組 | 1 |
| 11 | * | 401-91118 | THREAD TAKE UP_COMP_H | 天秤結合H | 1 |
| 12 | ☆ | 400-00264 | BOBBIN CASE ASM. | ボビンケース組 | 1 |
| 13 | | 400-37313 | THREAD TENSION DISK ASM. H | 糸調子 (組) H | 1 |
| 14 | | 236-26005 | THREAD TENSION NUT | 糸調子ナット | (1) |
| 15 | | B3115-552-000 | TENSION POST | 糸調子棒 | (1) |
| 16 | | B3120-125-000 | ROTATING STOPPER | 糸調子皿回転止め | (1) |
| 17 | | B3126-012-000 | THREAD TENSION DISK | 糸調子皿 | (2) |
| 18 | ☆ | B3128-012-000 | TAKE-UP SPRING | 糸取りばね | (1) |
| 19 | | B3132-552-000 | THREAD TENSION DISK PRESSER | 糸調子皿押え | (1) |
| 20 | | 400-24845 | TENSION POST SOCKET ASM. | 糸調子棒台 (組) | (1) |
| 21 | | B3114-232-000 | THREAD TENSION SPRING | 糸調子ばね | (1) |
| 22 | | SS-8090670-SP | SCREW 9/64-40 L=5.5 | 止めねじ 9/64-40 L=5.5 | (1) |
| 23 | | 400-24124 | NEEDLE BAR THREAD GUIDE | 針棒糸掛け | 1 |
| 24 | * | 401-91126 | ASSY_COUNTER WEIGHT_H | 釣合錘H組 | 1 |
| 25 | * | 401-91127 | COUNTER_WEIGHT_H | 釣合錘H | (1) |
| 26 | | 400-04171 | COUNTER_WEIGHT_SCREW | 止めねじ | (1) |
| 27 | | SM-8081652-TP | SCREW M8 L=16 | 止めねじ M8 L=16 | (1) |
| 28 | | SM-80606A2-TP | SCREW M6 L=6 | 六角穴付き止めねじ M6 L=6 | (2) |
| 29 | | 400-63697 | ARM THREAD GUIDE A H | アーム糸案内 A H | 1 |
| 30 | #02 | 110-62601 | FEED DOG | 送り | 1 |
| 31 | #02 | 110-62007 | THROAT PLATE A | 針板 A | 1 |
| 32 | #01 | 114-03003 | FEED J | 送り J | 1 |
| 33 | | 400-23223 | NEEDLE BAR THREAD GUIDE | 針棒糸案内 | 1 |
| 34 | #04 | MC-2005013-00 | NEEDLE 134 NM130 | 針 134 NM130 | 1 |
| | | NOTE(注記) | #01...FOR AA/BB/EE #02...FOR GG #03...FOR AA/GG/EE #04...FOR BB | AA / BB / EE 用 GG 用 AA / GG / EE 用 BB 用 | |

*ABOUT THE DESTINATION, THE SPREAD "HOW TO MAKE USE OF THIS PARTS LIST" PLEASE SEE.
仕向地については、見開きの (パーツリストご利用に際して) を参照して下さい。

16. TABLE & STAND COMPONENTS

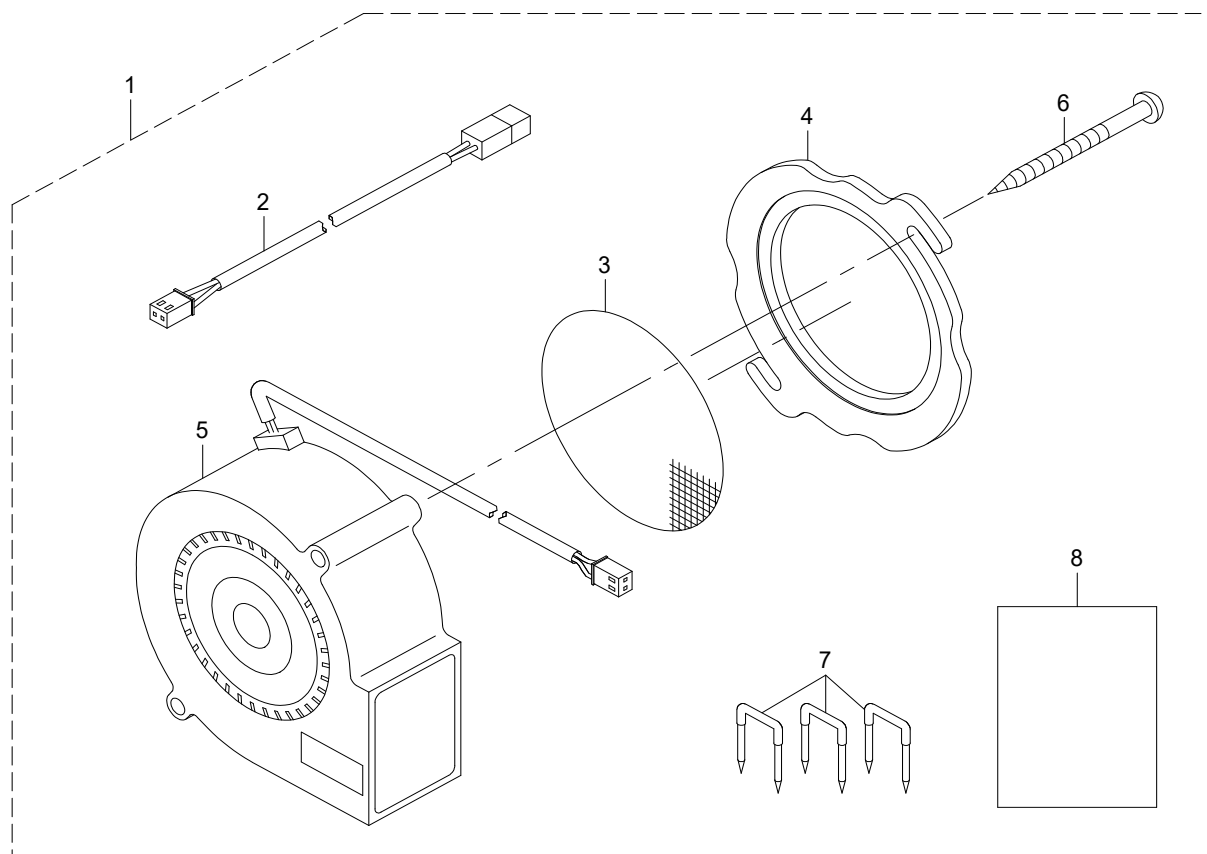
脚卓関係



| REF.NO | NOTE | PART NO | DESCRIPTION | 品名 | Qty |
|--------|------|---------------|---|---------------------------------------|-----|
| 1 | | 401-74410 | TABLE ASM. | テーブル (組) | 1 |
| 2 | | 401-72421 | TABLE | テーブル | (1) |
| 3 | | 110-75900 | RUBBER SPACER | 頭部支えゴム座 | (2) |
| 4 | | 110-75801 | RUBBER SPACER | ゴムヒンジ座 | (2) |
| 5 | | B8210-012-000 | CUSHION SET NAIL | 釘 (20ミリ) | (4) |
| 6 | | B8210-012-000 | CUSHION SET NAIL | 釘 (20ミリ) | (4) |
| 7 | | D8226-555-E00 | FRAME RUBBER CUSHION A | 頭部クッション座 | (2) |
| 8 | #01 | 111-57567 | T LEG JUNCTION | T脚結合 | 1 |
| 9 | #02 | GPK-700010A0 | 3-JOINT PEDAL 70 | 3連ペダル組70 (SC-1シリーズ) | 1 |
| 10 | #02 | 111-57559 | T-STAND ASM. | T脚 (組) | 1 |
| 11 | | 111-55769 | SMALL CASTINGS BOX B ASM. | テーブル小物入れ B組 | 1 |
| 12 | | 111-56007 | CASE | 小物入れ | (1) |
| 13 | | 111-55801 | CASE MAGNET | 小物入れマグネット | (1) |
| 14 | | 111-55751 | CASE ASM. B | 小物入れ B (組) | (1) |
| 15 | | SK-3382001-SC | WOOD SCREW D=3.8 L=20 | 丸木ねじ D=3.8 L=20 | (4) |
| 16 | | 111-55157 | DRAWER ASM. | 引き出し組 | 1 |
| 17 | | 111-55108 | DRAWER | 引き出し | (1) |
| 18 | | 111-55207 | DRAWER SUPPORT | 引き出し支え | (2) |
| 19 | | SK-3311600-SE | WOOD SCREW D=3.1 L=16 | 木ねじ D=3.1 L=16 | (6) |
| 20 | #02 | GPK-710010A0 | 2-PEDAL ASM. 71 | 2連ペダル組71 (SC-1シリーズ) | 1 |
| 21 | | D8204-555-D00 | DRAWER STOPPER | 引き出しストッパー | 1 |
| 22 | | SK-3513200-SC | WOOD SCREW D=5.1 L=32 | 丸木ねじ D=5.1 L=32 | 4 |
| 23 | #03 | 111-59456 | CASTER ASM. | キャスター組 | 1 |
| 24 | | SM-9086523-SE | HEXAGONAL BOLT | 六角ボルト | (2) |
| 25 | | 111-59407 | CASTER | キャスター | (4) |
| 26 | | 111-59506 | STRUT AUXILIARY PLATE | 下支柱補助板 | (2) |
| 27 | | WS-0861410-KR | SPRING WASHER 8.6X15X1.4 | ばね座金 8.6X15X1.4 | (2) |
| 28 | | WP-0871602-SE | WASHER 8.7X18X1.6 | 平座金 8.7X18X1.6 | (2) |
| | | NOTE(注記) | #01....FOR JT-D950 #02....FOR JT-D95A/-D95B #03....OPTIONAL PARTS | JT-D950用 JT-D95A/-D95B用 オプション部品 | |

17. SPECIAL ORDER PARTS

特別注文部品



| REF.NO | NOTE | PART NO | DESCRIPTION | 品名 | Qty |
|--------|------|---------------|--|-----------------|-----|
| 1 | | 400-65571 | ELECTRIC FAN HOOK COOLING DEVICE | 電動ファン釜冷却装置 | 1 |
| 2 | | 400-44065 | FAN_RELAY_CABLE | ファン中継コード | (1) |
| 3 | | 400-64805 | FAN FILTER | ファンフィルター | (1) |
| 4 | | 400-64806 | FAN COOLING COVER | 冷却ファンカバーファン | (1) |
| 5 | | 400-65564 | FAN MOTOR ASSY | ファンモータ組 | (1) |
| 6 | | SK-3415001-SE | SCREW D=4.1 L=50 | 丸木ねじ D=4.1 L=50 | (2) |
| 7 | | MAO-11532000 | CORD STAPLE | コードステップル | (3) |
| 8 | | 400-65572 | HOOK COOLING DEVICE INSTRUCTION MANUAL | 電動ファン釜冷却装置取扱説明書 | (1) |

NUMERICAL INDEX OF PARTS

索引

| PART NO 品番 | PAGE 頁 | REF NO | PART NO 品番 | PAGE 頁 | REF NO | PART NO 品番 | PAGE 頁 | REF NO | PART NO 品番 | PAGE 頁 | REF NO |
|-----------------|-----------|-----------|---------------|-----------|-----------|---------------|-----------|-----------|---------------|-----------|-----------|
| B1109-012-I0B | 2 | 74 | RC-0740811-KP | 12 | 31 | SM-5040655-SN | 18 | 55 | SS-6110710-TP | 16 | 47 |
| B1116-210-D00 | 16 | 8 | RC-1200001-KP | 12 | 4 | SM-6040602-TP | 8 | 31 | SS-6121610-SP | 10 | 18 |
| B1116-210-D00 | 22 | 12 | RC-2651218-KP | 16 | 32 | SM-6040602-TP | 18 | 9 | SS-7080510-TP | 6 | 7 |
| B1116-804-000 | 16 | 60 | RE-0300000-K0 | 6 | 36 | SM-6041002-TP | 12 | 11 | SS-7091110-TP | 8 | 20 |
| B1505-552-000-A | 24 | 6 | RE-0500000-K0 | 4 | 19 | SM-6041002-TP | 19 | 5 | SS-8090670-SP | 2 | 67 |
| B1521-555-000 | 8 | 33 | RE-0500000-K0 | 8 | 4 | SM-6042000-SP | 6 | 45 | SS-8090670-SP | 24 | 22 |
| B1524-012-0BA | 8 | 9 | RE-0500000-K0 | 8 | 29 | SM-6042000-SP | 12 | 47 | SS-8150822-TP | 10 | 3 |
| B1613-012-I00 | 12 | 45 | RE-0500000-K0 | 8 | 37 | SM-6050802-TP | 12 | 42 | SS-8660610-TP | 10 | 24 |
| B2431-215-000 | 10 | 51 | RE-0500000-K0 | 16 | 48 | SM-6050802-TP | 16 | 70 | ST-4030651-SN | 4 | 23 |
| B3114-232-000 | 24 | 21 | RE-1000000-K0 | 22 | 17 | SM-6050802-TP | 18 | 50 | SV-4030802-SN | 20 | 5 |
| B3115-552-000 | 24 | 15 | RE-1000000-K0 | 22 | 18 | SM-6051400-SP | 8 | 19 | SV-4030802-SN | 20 | 10 |
| B3118-552-F00 | 8 | 7 | RO-0360802-00 | 14 | 5 | SM-6051400-SP | 10 | 29 | | | |
| B3120-125-000 | 24 | 16 | RO-0360802-00 | 14 | 35 | SM-6051402-TP | 8 | 47 | TA-0180401-M0 | 14 | 8 |
| B3126-012-000 | 24 | 17 | RO-0371801-00 | 8 | 35 | SM-6051402-TP | 16 | 18 | TA-0290301-M0 | 14 | 9 |
| B3128-012-000 | 24 | 18 | RO-0371801-00 | 18 | 45 | SM-6051602-TP | 10 | 55 | TA-1250406-R0 | 2 | 6 |
| B3132-552-000 | 24 | 19 | RO-0442401-00 | 8 | 43 | SM-6051602-TP | 19 | 3 | TA-1250406-R0 | 2 | 40 |
| B4123-522-00A | 10 | 4 | RO-0481901-00 | 18 | 23 | SM-6051850-TP | 10 | 57 | TA-1250406-R0 | 2 | 41 |
| B4123-522-00B | 10 | 5 | RO-0611801-00 | 18 | 18 | SM-6060802-TP | 2 | 19 | | | |
| B4123-522-00C | 10 | 6 | RO-0681901-00 | 18 | 49 | SM-6060802-TP | 2 | 23 | WP-0450801-SD | 18 | 10 |
| B8210-012-000 | 26 | 5 | RO-0982401-00 | 18 | 31 | SM-6061002-TP | 12 | 13 | WP-0450801-SD | 18 | 15 |
| B8210-012-000 | 26 | 6 | | | | SM-6061002-TP | 16 | 81 | WP-0501016-SD | 8 | 48 |
| B9117-012-000 | 24 | 5 | SB-1200018-00 | 12 | 3 | SM-6061002-TP | 19 | 7 | WP-0531000-SD | 10 | 30 |
| B9117-552-A00 | 14 | 33 | SB-1200027-00 | 6 | 10 | SM-8040412-TP | 4 | 21 | WP-0531001-SC | 21 | 15 |
| B9121-012-0A0 | 23 | 19 | SB-1200027-00 | 6 | 11 | SM-8040612-TP | 2 | 51 | WP-0550800-SP | 12 | 20 |
| | | | SB-4080001-00 | 12 | 27 | SM-8050402-TP | 18 | 1 | WP-0550800-SP | 12 | 43 |
| CM-3002000-01 | 2 | 27 | SB-4080001-00 | 12 | 33 | SM-8050402-TP | 18 | 2 | WP-0621016-SD | 8 | 8 |
| CM-3002000-03 | 2 | 28 | SB-4080001-00 | 14 | 18 | SM-8050502-TP | 4 | 22 | WP-0621016-SD | 16 | 45 |
| CQ-2000000-01 | 18 | 57 | SB-4080001-00 | 19 | 11 | SM-80506A2-TP | 6 | 40 | WP-0621016-SH | 16 | 59 |
| CQ-2500000-01 | 18 | 54 | SB-4120001-00 | 12 | 6 | SM-80506A2-TP | 10 | 37 | WP-0621016-SH | 16 | 78 |
| CS-0800881-TP | 16 | 22 | SD-0500403-TP | 16 | 25 | SM-80506A2-TP | 16 | 23 | WP-0650876-SD | 22 | 22 |
| CS-1000881-TP | 6 | 39 | SD-0500701-TP | 16 | 50 | SM-80506A2-TP | 16 | 31 | WP-0820516-SP | 12 | 32 |
| CS-1201171-TP | 12 | 7 | SD-0630275-SP | 16 | 75 | SM-8050612-TP | 10 | 61 | WP-0871602-SE | 26 | 28 |
| | | | SD-0641456-TP | 16 | 38 | SM-8050612-TP | 19 | 10 | WP-1612616-SE | 21 | 22 |
| D1524-555-EBL | 24 | 7 | SD-0720331-SP | 22 | 19 | SM-8050802-TP | 20 | 16 | WS-0410002-KR | 16 | 43 |
| D8204-555-D00 | 26 | 21 | SK-3311600-SE | 26 | 19 | SM-80606A2-TP | 6 | 19 | WS-0510002-KN | 21 | 14 |
| D8226-555-E00 | 26 | 7 | SK-3382001-SC | 26 | 15 | SM-80606A2-TP | 10 | 39 | WS-0861410-KR | 26 | 27 |
| | | | SK-3415001-SE | 27 | 6 | SM-80606A2-TP | 10 | 42 | | | |
| EA-9500B01-00 | 2 | 36 | SK-3513200-SC | 26 | 22 | SM-80606A2-TP | 12 | 8 | 105-23702 | 10 | 33 |
| EA-9500B01-00 | 6 | 29 | SL-4031081-SC | 20 | 14 | SM-80606A2-TP | 16 | 64 | 106-18304 | 16 | 49 |
| EA-9500B01-00 | 20 | 19 | SL-4031491-SC | 12 | 37 | SM-80606A2-TP | 24 | 28 | 110-15906 | 14 | 4 |
| EA-9500B01-00 | 23 | 17 | SL-4040881-SC | 2 | 72 | SM-80608A2-TP | 2 | 7 | 110-28008 | 2 | 75 |
| | | | SL-4051091-SC | 18 | 30 | SM-80608A2-TP | 2 | 56 | 110-38650 | 14 | 29 |
| GPK-26023000 | 8 | 51 | SL-6040892-TN | 2 | 39 | SM-80608A2-TP | 2 | 57 | 110-38759 | 14 | 25 |
| GPK-700010A0 | 26 | 9 | SL-6040892-TN | 18 | 24 | SM-80608A2-TP | 6 | 14 | 110-62007 | 24 | 31 |
| GPK-710010A0 | 26 | 20 | SL-6051492-TN | 2 | 15 | SM-80608A2-TP | 6 | 23 | 110-62601 | 24 | 30 |
| G1812-870-000 | 14 | 12 | SL-6052592-TN | 6 | 28 | SM-80608A2-TP | 6 | 26 | 110-75801 | 26 | 4 |
| | | | SM-0050801-SC | 4 | 24 | SM-80608A2-TP | 6 | 37 | 110-75900 | 26 | 3 |
| HX-0015000-0A | 8 | 49 | SM-0050801-SC | 4 | 33 | SM-80608A2-TP | 8 | 41 | 110-79506 | 14 | 36 |
| HX-0015000-0K | 18 | 64 | SM-2040750-TP | 2 | 25 | SM-80608A2-TP | 12 | 48 | 110-92251 | 24 | 10 |
| | | | SM-2040955-TP | 2 | 24 | SM-80608A2-TP | 14 | 24 | 111-55108 | 26 | 17 |
| KX-0000002-30 | 2 | 35 | SM-4040601-SC | 8 | 50 | SM-80608A2-TP | 16 | 12 | 111-55157 | 26 | 16 |
| | | | SM-4040655-SP | 8 | 12 | SM-8060812-TP | 16 | 55 | 111-55207 | 26 | 18 |
| MAO-11532000 | 27 | 7 | SM-4040655-SP | 10 | 48 | SM-8061010-TP | 16 | 80 | 111-55751 | 26 | 14 |
| MC-2005007-52 | 23 | 22 | SM-4040655-SP | 10 | 59 | SM-8061050-TP | 16 | 79 | 111-55769 | 26 | 11 |
| MC-2005013-00 | 24 | 34 | SM-4040655-SP | 18 | 14 | SM-8063012-TR | 22 | 6 | 111-55801 | 26 | 13 |
| MDB-100B1100 | 6 | 42 | SM-4040855-SP | 2 | 17 | SM-8081652-TP | 6 | 18 | 111-56007 | 26 | 12 |
| MDB-100B1102 | 23 | 21 | SM-4041055-SP | 8 | 13 | SM-8081652-TP | 24 | 27 | 111-57559 | 26 | 10 |
| MDB-100B1400 | 6 | 43 | SM-4041255-SP | 12 | 39 | SM-8480652-TP | 12 | 25 | 111-57567 | 26 | 8 |
| MDB-100B1402 | 23 | 20 | SM-4041455-SN | 2 | 10 | SM-8480652-TP | 19 | 29 | 111-59407 | 26 | 25 |
| MDB-100B2100 | 24 | 4 | SM-4050655-SP | 2 | 54 | SM-8480652-TP | 19 | 15 | 111-59456 | 26 | 23 |
| | | | SM-4050655-SP | 16 | 10 | SM-9040650-TP | 12 | 17 | 111-59506 | 26 | 26 |
| NM-6030001-SC | 20 | 15 | SM-4050855-SP | 2 | 2 | SM-9061203-SE | 22 | 29 | 114-03003 | 24 | 32 |
| NM-6040001-SE | 16 | 42 | SM-4050855-SP | 2 | 21 | SM-9061853-SR | 22 | 20 | 114-19504 | 16 | 83 |
| NM-6040001-SP | 16 | 67 | SM-4050855-SP | 10 | 31 | SM-9061853-SR | 22 | 21 | 114-19603 | 16 | 84 |
| NM-6050001-SC | 16 | 16 | SM-4050855-SP | 19 | 17 | SM-9086523-SE | 26 | 24 | 114-19702 | 16 | 85 |
| NM-6050001-SE | 21 | 11 | SM-4051055-SP | 2 | 13 | SQ-2050453-MZ | 18 | 63 | 114-19801 | 16 | 86 |
| NM-6050001-SE | 21 | 13 | SM-4051055-SP | 4 | 31 | SS-4080620-TP | 12 | 30 | 114-19900 | 16 | 87 |
| NM-6050001-SE | 21 | 25 | SM-4051255-SP | 2 | 9 | SS-4111015-SP | 14 | 28 | 114-20601 | 16 | 6 |
| NM-6060001-SC | 16 | 58 | SM-4051255-SP | 12 | 19 | SS-6060210-SP | 2 | 34 | 133-19405 | 12 | 26 |
| NM-6060001-SE | 22 | 5 | SM-4051255-SP | 12 | 22 | SS-6090620-TP | 10 | 12 | 137-38802 | 16 | 82 |
| NM-6060003-SE | 8 | 45 | SM-4051255-SP | 18 | 5 | SS-6090620-TP | 10 | 20 | | | |
| NS-6110310-SP | 16 | 51 | SM-4051255-SP | 19 | 9 | SS-6090670-TP | 6 | 5 | 225-02504 | 23 | 15 |
| NS-6150310-SP | 16 | 77 | SM-4051405-SE | 2 | 24 | SS-6090670-TP | 10 | 8 | 228-90206 | 14 | 31 |
| NS-6150310-SP | 22 | 16 | SM-5040655-SN | 21 | 70 | SS-6090670-TP | 16 | 36 | 228-90305 | 14 | 32 |
| NS-6620310-SP | 8 | 10 | SM-5040655-SN | 4 | 20 | SS-6110710-TP | 14 | 15 | 228-90404 | 14 | 30 |

NUMERICAL INDEX OF PARTS

索引

| PART NO 品番 | PAGE 頁 | REF NO | PART NO 品番 | PAGE 頁 | REF NO | PART NO 品番 | PAGE 頁 | REF NO | PART NO 品番 | PAGE 頁 | REF NO |
|---------------|-----------|-----------|---------------|-----------|-----------|---------------|-----------|-----------|---------------|-----------|-----------|
| 228-91204 | 4 | 2 | 236-29207 | 18 | 53 | 400-75404 | 18 | 59 | 401-66894 | 4 | 11 |
| 228-96252 | 14 | 34 | 236-29256 | 18 | 52 | 400-85784 | 21 | 17 | 401-68860 | 16 | 94 |
| 229-01300 | 2 | 33 | 236-29306 | 18 | 28 | 400-85785 | 21 | 18 | 401-68921 | 19 | 4 |
| 229-01409 | 6 | 2 | 236-29306 | 18 | 43 | 400-85786 | 21 | 2 | 401-68922 | 12 | 10 |
| 229-01409 | 18 | 51 | 236-29405 | 18 | 27 | 400-85787 | 21 | 3 | 401-69408 | 20 | 12 |
| 229-01805 | 2 | 52 | 236-29405 | 18 | 34 | 400-85788 | 21 | 4 | 401-72134 | 10 | 25 |
| 229-04106 | 10 | 23 | 236-30007 | 18 | 26 | 400-85789 | 21 | 5 | 401-72135 | 14 | 16 |
| 229-04155 | 10 | 22 | 236-30007 | 18 | 36 | 400-85790 | 21 | 6 | 401-72137 | 12 | 2 |
| 229-06309 | 6 | 47 | 236-30007 | 18 | 56 | 400-85791 | 21 | 7 | 401-72138 | 10 | 44 |
| 229-06408 | 6 | 4 | 236-30106 | 18 | 25 | 400-85792 | 21 | 19 | 401-72146 | 6 | 27 |
| 229-06457 | 6 | 3 | 236-30106 | 18 | 38 | 400-85793 | 21 | 20 | 401-72362 | 2 | 1 |
| 229-07406 | 8 | 14 | 236-30403 | 18 | 41 | 400-85794 | 21 | 8 | 401-72366 | 2 | 14 |
| 229-07802 | 8 | 32 | 236-30502 | 18 | 42 | 400-85795 | 21 | 9 | 401-72367 | 2 | 30 |
| 229-08008 | 8 | 26 | 236-30601 | 18 | 35 | 400-85796 | 21 | 23 | 401-72368 | 2 | 32 |
| 229-08552 | 8 | 34 | 236-30601 | 18 | 40 | 400-86597 | 6 | 20 | 401-72369 | 2 | 29 |
| 229-11002 | 10 | 19 | 236-30650 | 18 | 39 | 400-86602 | 6 | 8 | 401-72370 | 2 | 31 |
| 229-11101 | 10 | 11 | 236-39008 | 22 | 2 | 400-86604 | 6 | 48 | 401-72371 | 2 | 3 |
| 229-12307 | 10 | 54 | 236-39107 | 22 | 4 | 400-86605 | 6 | 9 | 401-72373 | 2 | 4 |
| 229-16506 | 14 | 3 | 236-39156 | 22 | 3 | 400-86606 | 8 | 17 | 401-72374 | 2 | 5 |
| 229-16555 | 14 | 2 | 236-39206 | 22 | 7 | 400-86607 | 8 | 18 | 401-72375 | 2 | 11 |
| 229-20300 | 8 | 5 | 236-39305 | 22 | 8 | 400-86616 | 10 | 45 | 401-72376 | 2 | 12 |
| 229-20409 | 8 | 6 | 236-39404 | 22 | 9 | 400-86623 | 16 | 68 | 401-72377 | 6 | 25 |
| 229-21209 | 2 | 60 | 236-39503 | 22 | 10 | 400-86635 | 16 | 54 | 401-72378 | 10 | 46 |
| 229-21308 | 4 | 27 | 236-39602 | 22 | 11 | 400-86639 | 2 | 68 | 401-72386 | 20 | 7 |
| 229-21407 | 2 | 62 | 236-39701 | 23 | 12 | 400-86640 | 2 | 59 | 401-72390 | 2 | 37 |
| 229-21407 | 4 | 28 | | | | 400-86691 | 14 | 13 | 401-72391 | 2 | 18 |
| 229-21506 | 2 | 63 | 400-00264 | 24 | 12 | 400-86692 | 14 | 14 | 401-72392 | 2 | 22 |
| 229-21506 | 4 | 29 | 400-00344 | 18 | 21 | 400-86695 | 10 | 35 | 401-72393 | 6 | 22 |
| 229-21605 | 2 | 64 | 400-04171 | 6 | 17 | 400-86696 | 10 | 36 | 401-72398 | 6 | 21 |
| 229-21704 | 2 | 69 | 400-04171 | 24 | 26 | 400-86697 | 18 | 22 | 401-72399 | 6 | 1 |
| 229-21704 | 4 | 30 | 400-09037 | 2 | 71 | 400-86698 | 19 | 2 | 401-72401 | 8 | 39 |
| 229-21803 | 2 | 66 | 400-10278 | 19 | 8 | 400-86699 | 19 | 14 | 401-72402 | 8 | 40 |
| 229-25101 | 18 | 58 | 400-10805 | 14 | 11 | 400-86709 | 16 | 89 | 401-72403 | 8 | 42 |
| 229-26000 | 23 | 4 | 400-13595 | 18 | 32 | 400-86711 | 16 | 46 | 401-72418 | 6 | 24 |
| 229-26208 | 23 | 6 | 400-15671 | 16 | 66 | 400-86712 | 16 | 52 | 401-72420 | 20 | 8 |
| 229-26356 | 23 | 7 | 400-23223 | 24 | 33 | 400-86735 | 10 | 34 | 401-72421 | 26 | 2 |
| 229-26505 | 23 | 3 | 400-24124 | 24 | 23 | 400-86736 | 10 | 40 | 401-72422 | 20 | 3 |
| 229-31604 | 23 | 10 | 400-24845 | 24 | 20 | 400-86748 | 16 | 65 | 401-72423 | 20 | 4 |
| 229-32404 | 22 | 14 | 400-26277 | 10 | 10 | 400-88958 | 4 | 25 | 401-72430 | 18 | 16 |
| 229-32453 | 22 | 13 | 400-26281 | 10 | 28 | 400-88959 | 4 | 26 | 401-72433 | 18 | 17 |
| 229-32800 | 23 | 9 | 400-26282 | 10 | 32 | 400-89605 | 24 | 1 | 401-72436 | 18 | 29 |
| 229-33105 | 23 | 13 | 400-29398 | 16 | 37 | 400-89663 | 23 | 8 | 401-72437 | 18 | 19 |
| 229-33204 | 23 | 14 | 400-32269 | 6 | 38 | 400-90058 | 6 | 6 | 401-72439 | 12 | 41 |
| 229-34202 | 22 | 24 | 400-35589 | 2 | 16 | 400-90099 | 16 | 61 | 401-72440 | 12 | 28 |
| 229-34251 | 22 | 23 | 400-36706 | 8 | 44 | 400-95844 | 19 | 1 | 401-72443 | 12 | 14 |
| 229-34301 | 22 | 25 | 400-36997 | 16 | 35 | 400-96325 | 21 | 21 | 401-72444 | 12 | 18 |
| 229-34400 | 22 | 26 | 400-36998 | 16 | 33 | 400-96326 | 21 | 10 | 401-72446 | 12 | 21 |
| 229-34509 | 22 | 27 | 400-37005 | 10 | 27 | 400-96327 | 21 | 12 | 401-72448 | 12 | 24 |
| 229-34608 | 22 | 28 | 400-37008 | 4 | 32 | 401-02087 | 23 | 18 | 401-72451 | 12 | 34 |
| 229-34707 | 22 | 15 | 400-37141 | 8 | 23 | 401-02261 | 2 | 26 | 401-72452 | 12 | 35 |
| 229-44508 | 8 | 11 | 400-37144 | 8 | 24 | 401-07708 | 24 | 2 | 401-72453 | 12 | 29 |
| 229-45414 | 2 | 44 | 400-37313 | 24 | 13 | 401-08401 | 21 | 16 | 401-72454 | 12 | 23 |
| 229-45604 | 2 | 46 | 400-37359 | 8 | 22 | 401-08402 | 21 | 1 | 401-72455 | 12 | 12 |
| 229-45703 | 2 | 47 | 400-37365 | 10 | 9 | 401-12420 | 2 | 65 | 401-72456 | 19 | 6 |
| 229-45802 | 2 | 48 | 400-38328 | 18 | 48 | 401-35803 | 23 | 1 | 401-72457 | 19 | 13 |
| 229-50000 | 16 | 76 | 400-42079 | 10 | 17 | 401-35904 | 6 | 15 | 401-72458 | 19 | 12 |
| 229-52501 | 10 | 56 | 400-44065 | 27 | 2 | 401-35905 | 6 | 31 | 401-72460 | 10 | 41 |
| 229-58003 | 23 | 5 | 400-44857 | 6 | 12 | 401-35907 | 6 | 35 | 401-72461 | 12 | 38 |
| 229-58052 | 23 | 2 | 400-50582 | 8 | 2 | 401-35916 | 6 | 16 | 401-72467 | 10 | 38 |
| 229-63409 | 2 | 45 | 400-50583 | 8 | 36 | 401-36258 | 18 | 62 | 401-72469 | 18 | 6 |
| 229-63458 | 2 | 43 | 400-52933 | 2 | 55 | 401-36700 | 8 | 15 | 401-72477 | 16 | 26 |
| 229-64001 | 14 | 26 | 400-55591 | 23 | 16 | 401-36701 | 16 | 14 | 401-72478 | 16 | 27 |
| 229-64001 | 23 | 23 | 400-58504 | 10 | 16 | 401-41440 | 6 | 44 | 401-72479 | 16 | 28 |
| 236-05207 | 6 | 13 | 400-61215 | 16 | 34 | 401-45927 | 14 | 10 | 401-72480 | 16 | 30 |
| 236-09456 | 8 | 27 | 400-61246 | 10 | 15 | 401-49785 | 18 | 20 | 401-72481 | 16 | 20 |
| 236-09605 | 8 | 30 | 400-61767 | 24 | 3 | 401-49791 | 6 | 46 | 401-72482 | 16 | 21 |
| 236-10207 | 8 | 16 | 400-62168 | 16 | 19 | 401-63141 | 20 | 13 | 401-72483 | 16 | 57 |
| 236-10306 | 8 | 21 | 400-62321 | 22 | 1 | 401-66870 | 4 | 3 | 401-72484 | 16 | 24 |
| 236-16709 | 10 | 21 | 400-63697 | 24 | 29 | 401-66872 | 4 | 4 | 401-72485 | 16 | 92 |
| 236-26005 | 2 | 61 | 400-64805 | 27 | 3 | 401-66881 | 4 | 5 | 401-72486 | 16 | 3 |
| 236-26005 | 24 | 14 | 400-64806 | 27 | 4 | 401-66885 | 4 | 6 | 401-72487 | 16 | 2 |
| 236-26104 | 2 | 42 | 400-64839 | 24 | 8 | 401-66886 | 4 | 7 | 401-72488 | 16 | 93 |
| 236-26807 | 8 | 3 | 400-65564 | 27 | 5 | 401-66887 | 4 | 8 | 401-72489 | 16 | 5 |
| 236-28803 | 18 | 46 | 400-65571 | 27 | 1 | 401-66888 | 4 | 9 | 401-72490 | 16 | 69 |
| 236-28902 | 18 | 47 | 400-65572 | 27 | 8 | 401-66893 | 4 | 10 | 401-72491 | 16 | 39 |

NUMERICAL INDEX OF PARTS

索引

| PART NO 品番 | PAGE 頁 | REF NO | PART NO 品番 | PAGE 頁 | REF NO | PART NO 品番 | PAGE 頁 | REF NO | PART NO 品番 | PAGE 頁 | REF NO |
|---------------|-----------|-----------|---------------|-----------|-----------|---------------|-----------|-----------|---------------|-----------|-----------|
| 401-72494 | 16 | 40 | 401-74399 | 18 | 61 | | | | | | |
| 401-72495 | 16 | 53 | 401-74405 | 10 | 58 | | | | | | |
| 401-72496 | 16 | 56 | 401-74408 | 20 | 17 | | | | | | |
| 401-72497 | 16 | 7 | 401-74410 | 26 | 1 | | | | | | |
| 401-72498 | 16 | 9 | 401-74570 | 23 | 11 | | | | | | |
| 401-72499 | 16 | 11 | 401-74573 | 8 | 46 | | | | | | |
| 401-72500 | 16 | 17 | 401-74575 | 2 | 58 | | | | | | |
| 401-72501 | 16 | 72 | 401-74577 | 12 | 46 | | | | | | |
| 401-72502 | 16 | 73 | 401-74580 | 20 | 9 | | | | | | |
| 401-72503 | 16 | 74 | 401-74581 | 12 | 15 | | | | | | |
| 401-72504 | 16 | 71 | 401-74582 | 12 | 16 | | | | | | |
| 401-72508 | 10 | 43 | 401-74583 | 16 | 41 | | | | | | |
| 401-72509 | 10 | 49 | 401-74584 | 16 | 44 | | | | | | |
| 401-72510 | 10 | 50 | 401-74590 | 12 | 1 | | | | | | |
| 401-73459 | 20 | 6 | 401-74600 | 16 | 95 | | | | | | |
| 401-73460 | 20 | 1 | 401-74610 | 16 | 99 | | | | | | |
| 401-73461 | 20 | 2 | 401-74612 | 16 | 98 | | | | | | |
| 401-73462 | 20 | 11 | 401-75585 | 20 | 18 | | | | | | |
| 401-74291 | 10 | 47 | 401-78658 | 18 | 37 | | | | | | |
| 401-74293 | 10 | 52 | 401-81990 | 16 | 63 | | | | | | |
| 401-74294 | 10 | 53 | 401-82053 | 16 | 62 | | | | | | |
| 401-74296 | 10 | 1 | 401-82291 | 2 | 73 | | | | | | |
| 401-74297 | 10 | 2 | 401-84950 | 16 | 1 | | | | | | |
| 401-74298 | 10 | 7 | 401-84951 | 16 | 97 | | | | | | |
| 401-74299 | 10 | 26 | 401-88608 | 2 | 38 | | | | | | |
| 401-74300 | 10 | 13 | 401-91107 | 4 | 1 | | | | | | |
| 401-74302 | 10 | 14 | 401-91108 | 4 | 12 | | | | | | |
| 401-74305 | 2 | 20 | 401-91109 | 4 | 13 | | | | | | |
| 401-74306 | 18 | 11 | 401-91111 | 4 | 14 | | | | | | |
| 401-74307 | 18 | 33 | 401-91113 | 4 | 15 | | | | | | |
| 401-74314 | 16 | 96 | 401-91114 | 4 | 16 | | | | | | |
| 401-74315 | 16 | 90 | 401-91115 | 4 | 17 | | | | | | |
| 401-74316 | 16 | 91 | 401-91116 | 4 | 18 | | | | | | |
| 401-74317 | 10 | 60 | 401-91118 | 24 | 11 | | | | | | |
| 401-74318 | 16 | 4 | 401-91126 | 24 | 24 | | | | | | |
| 401-74321 | 12 | 5 | 401-91127 | 24 | 25 | | | | | | |
| 401-74323 | 16 | 13 | 401-91349 | 12 | 36 | | | | | | |
| 401-74324 | 16 | 15 | | | | | | | | | |
| 401-74325 | 12 | 9 | | | | | | | | | |
| 401-74328 | 14 | 1 | | | | | | | | | |
| 401-74331 | 14 | 6 | | | | | | | | | |
| 401-74332 | 14 | 7 | | | | | | | | | |
| 401-74333 | 14 | 17 | | | | | | | | | |
| 401-74334 | 12 | 40 | | | | | | | | | |
| 401-74335 | 14 | 19 | | | | | | | | | |
| 401-74336 | 14 | 20 | | | | | | | | | |
| 401-74337 | 14 | 21 | | | | | | | | | |
| 401-74338 | 14 | 22 | | | | | | | | | |
| 401-74341 | 6 | 30 | | | | | | | | | |
| 401-74342 | 6 | 32 | | | | | | | | | |
| 401-74343 | 6 | 33 | | | | | | | | | |
| 401-74344 | 6 | 34 | | | | | | | | | |
| 401-74349 | 6 | 41 | | | | | | | | | |
| 401-74351 | 14 | 27 | | | | | | | | | |
| 401-74353 | 24 | 9 | | | | | | | | | |
| 401-74356 | 18 | 60 | | | | | | | | | |
| 401-74358 | 18 | 3 | | | | | | | | | |
| 401-74359 | 18 | 4 | | | | | | | | | |
| 401-74360 | 18 | 7 | | | | | | | | | |
| 401-74361 | 18 | 8 | | | | | | | | | |
| 401-74362 | 18 | 13 | | | | | | | | | |
| 401-74365 | 18 | 44 | | | | | | | | | |
| 401-74368 | 2 | 8 | | | | | | | | | |
| 401-74369 | 14 | 23 | | | | | | | | | |
| 401-74372 | 19 | 16 | | | | | | | | | |
| 401-74373 | 2 | 49 | | | | | | | | | |
| 401-74377 | 8 | 28 | | | | | | | | | |
| 401-74385 | 2 | 53 | | | | | | | | | |
| 401-74387 | 8 | 25 | | | | | | | | | |
| 401-74388 | 8 | 38 | | | | | | | | | |
| 401-74389 | 8 | 1 | | | | | | | | | |
| 401-74392 | 2 | 50 | | | | | | | | | |
| 401-74394 | 18 | 12 | | | | | | | | | |
| 401-74396 | 12 | 44 | | | | | | | | | |
| 401-74398 | 16 | 88 | | | | | | | | | |