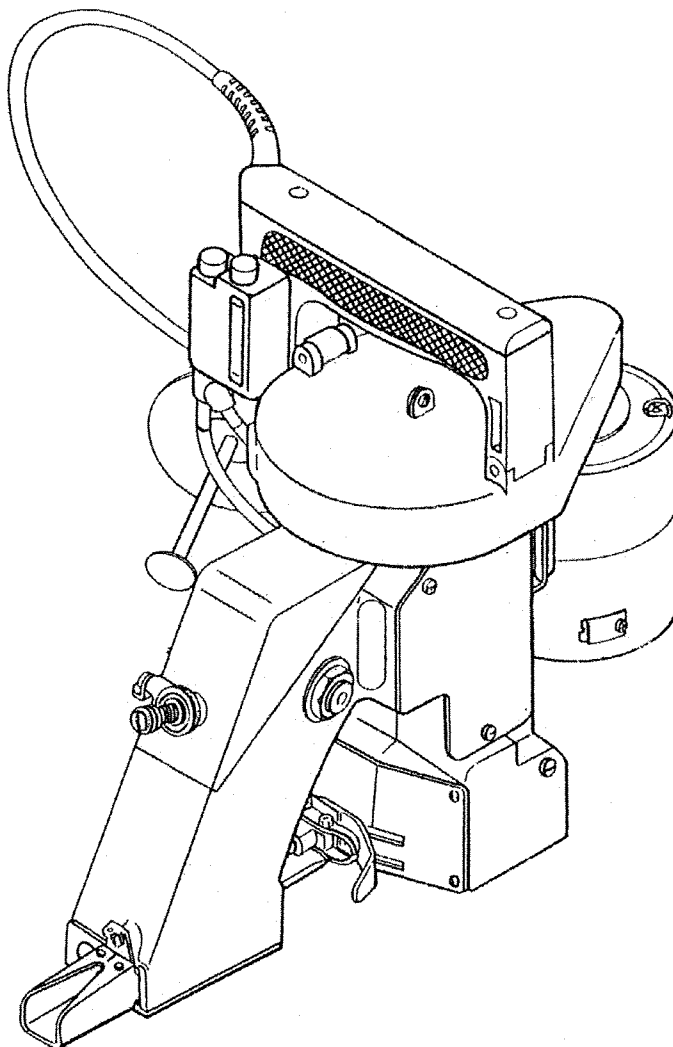


CONSEW[®]
CONSOLIDATED SEWING MACHINE CORP.

MODEL C10NS



OPERATING INSTRUCTIONS FOR PORTABLE BAG CLOSER

Contents:

- 1. General safety rules.**
- 2. Technical data.**
- 3. Emissions.**
- 4. Unpacking the machine.**
- 5. Defined applications.**
- 6. Explanation of symbols used on machine.**
- 7. Residual risk.**
- 8. Before operation.**
- 9. Power connection & Use of Motor.**
- 10. Operation.**
- 11. Adjustments**
- 12. Cleaning.**
- 13. Troubleshooting and replacing parts.**
- 12. Cleaning.**

1. General Safety Rules

When using electric tools, basic safety precautions should always be followed to reduce the risk of fire, electric shock and personal injury.

Read all these instructions before operating this machine and save these instructions.

Keep work area clean. Cluttered areas and benches invite injuries.

Work area environment; do not expose machine to rain. Do not use machine in damp or wet locations.

Keep work area well lit. Do not use machine where there is risk of fire or explosion.

Guard against electric shock; Avoid body contact with earthed or grounded surfaces.

Keep away from children. Do not let visitors touch machine or extension cord. All visitors should be kept away from work area.

Store tools securely when not in use. When not in use, tools should be stored in a dry, secure place, out of the reach of children.

Use the correct needle. Do not force small needles or attachments to do the job of a heavy duty. Do not use needles for which purposes not intended.

Dress properly. Do not wear loose clothing or jewelry, which can be caught in moving parts.

Wear protecting hair covering to contain long hair.

Do not abuse the cord. Never carry the machine by cord or yank it to disconnect it from the socket.

Keep the cord away from heat, oil and sharp edges.

Do not overreach. Keep proper footing and balance at all times.

Maintain machine with care. Follow instructions for lubrication and changing accessories. Inspect power cord and/or extension cord periodically and if damaged have it repaired by an authorized dealer

Keep handle dry, clean and free from oil and grease.

Disconnect tools when not in use, before servicing and when changing accessories.

Remove adjusting keys and wrenches. Form the habit of checking to see that keys and adjusting wrenches are removed from the machine before turning it on.

Avoid unintentional starting. Do not carry a plugged-in machine with a finger on the switch. Make sure the switch is off when plugging in the machine.

When the machine is used outdoors, use only extension cords intended for outdoor use.

Stay alert. Watch what you are doing. Use common sense. Do not operate machine when you are tired.

Check damaged parts. Before using the machine, if a guard or other part that may be damaged should be carefully checked to determine that it will operate properly and perform its intended function. Check for alignment of moving parts, free running of moving parts, breakage of parts, mounting and any other conditions that may affect its operation.

Warning; the use of any accessory or attachment, other than those recommended in this instruction manual, may present a risk of personal injury.

Have your machine repaired by a qualified Consew dealer or distributor. Repairs should only be carried out by qualified persons using original Consew parts, otherwise this may result in considerable danger to the user.

This bag closer is designed for right handed use only. Do not continuously operate this bag closer for more than 30 minutes without rest and/or any support of machine. Be sure to wear hearing protection during operation.

Specifications

Model	Consew C10NS
Speed	300-400 bags per hour
Single needle	
Needle specification	FD-5 #24 or 25
Net Weight	5.5 kg
Noise level	80.5 — 83 dB (A)
Vibration Level	10-12 m/sec*2
AC Motor	10; 220/240V 90W
DC Motor	12V or 24V

Noise & Vibration levels

Noise Level: measured within a distance of 1m to machine surface (idling) noise level: Lwa 77 - 82 dB (A).

Noise level within an enclosed working area: Lpa 8083 dB (A).

Vibration Level: measured on the handle of the machine: About 10-12 m/sec*2.

Unpacking the machine

Check the following upon receipt of the machine:

Damage to crate or packaging

All items included on packing list

Check all accessories when unpacking

Record the serial number of the machine on the inside of cover page.

Notify the carrier and the dealer of any damage immediately.

Scope of application

This sewing machine is designed to close any kind of multiple layers thick paper bag, woven fabric bags, cotton bags, burlap and sisal bag.

If a special application is required, this machine could be modified under the supervision of a qualified and authorized mechanic.

Closing bags of burlap or sisal doing so at low speed is recommended. Speed should be kept under 8000 rpm.

Additional risks

It is still possible that the following can still occur despite observing all relevant safety regulations simply due to the nature of the job the machine has been designed for.

Touching stationary or moving needles with your finger can result in injury.

Touching live parts on a damaged terminal box, capacitor, or bare cable lead to electric shock or other injuries.

Your sense of hearing can become impaired due to the continuous use of the machine without protection.

Your hand can suffer injury from the continuous vibration of the machine without appropriate rest.

Procedures prior to operating the machine.

Needle Assembly/Disassembly: (See also Fig. 1)

Loosen the clamping nut (3001229) of needle bar (3001227) by using the special wrench.

Turn gear (3001624) to raise the needle to its highest position, and take off the used & worn needle.

Put the new needle into the bottom of needle bar as far as possible. Be sure to keep the needle scarf facing toward the looper cover (3001206) during the installation of the new needle.

Turn and tighten the clamping nut on needle bar.

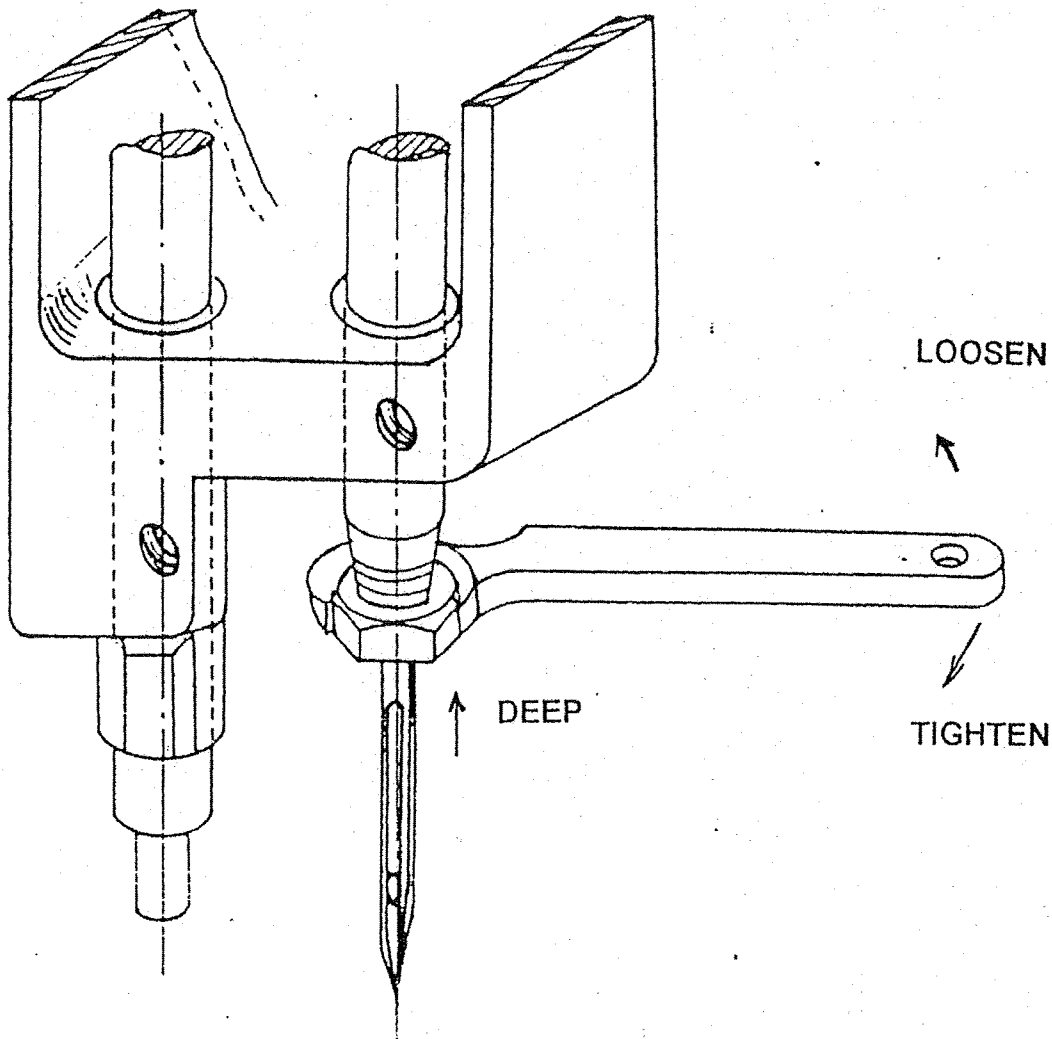


Fig. 1

Threading the machine:

Threading procedure: Please refer to Fig. 2 & 3

If the thread tension is too high, the thread will be easy to break and the sewing surface will pucker. If the thread tension is not high enough, the thread will be easy to break and the machine will skip stitches. Therefore it is a good idea to keep tension at the correct level during threading.

Be sure to inspect the spring on the thread tension assembly (3001247). If it is worn, be sure to change it before threading. In order to achieve a suitable tension on the thread, please adjust the screw (3001243) on the thread tension assembly, and the nut on manual adjuster (3001244 & 3001446).

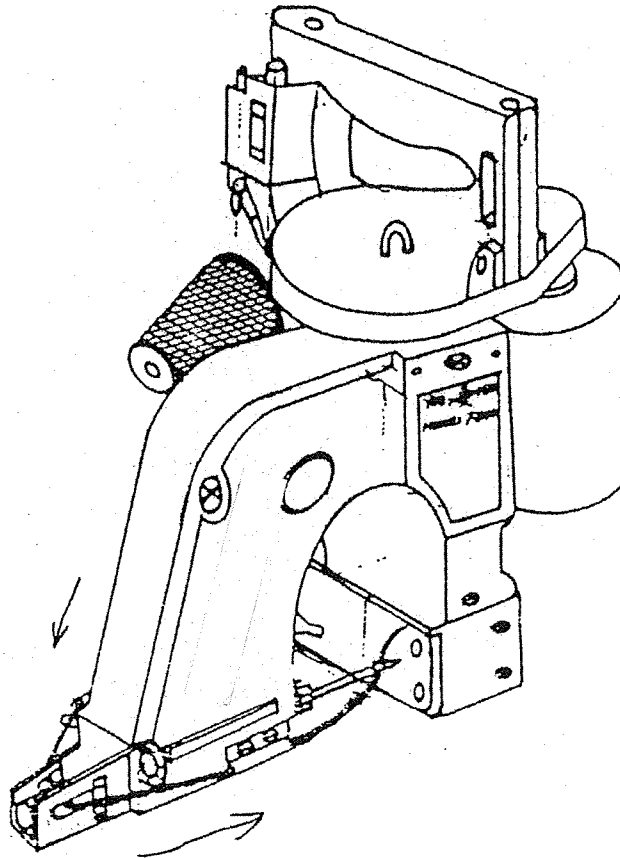


Fig. 2

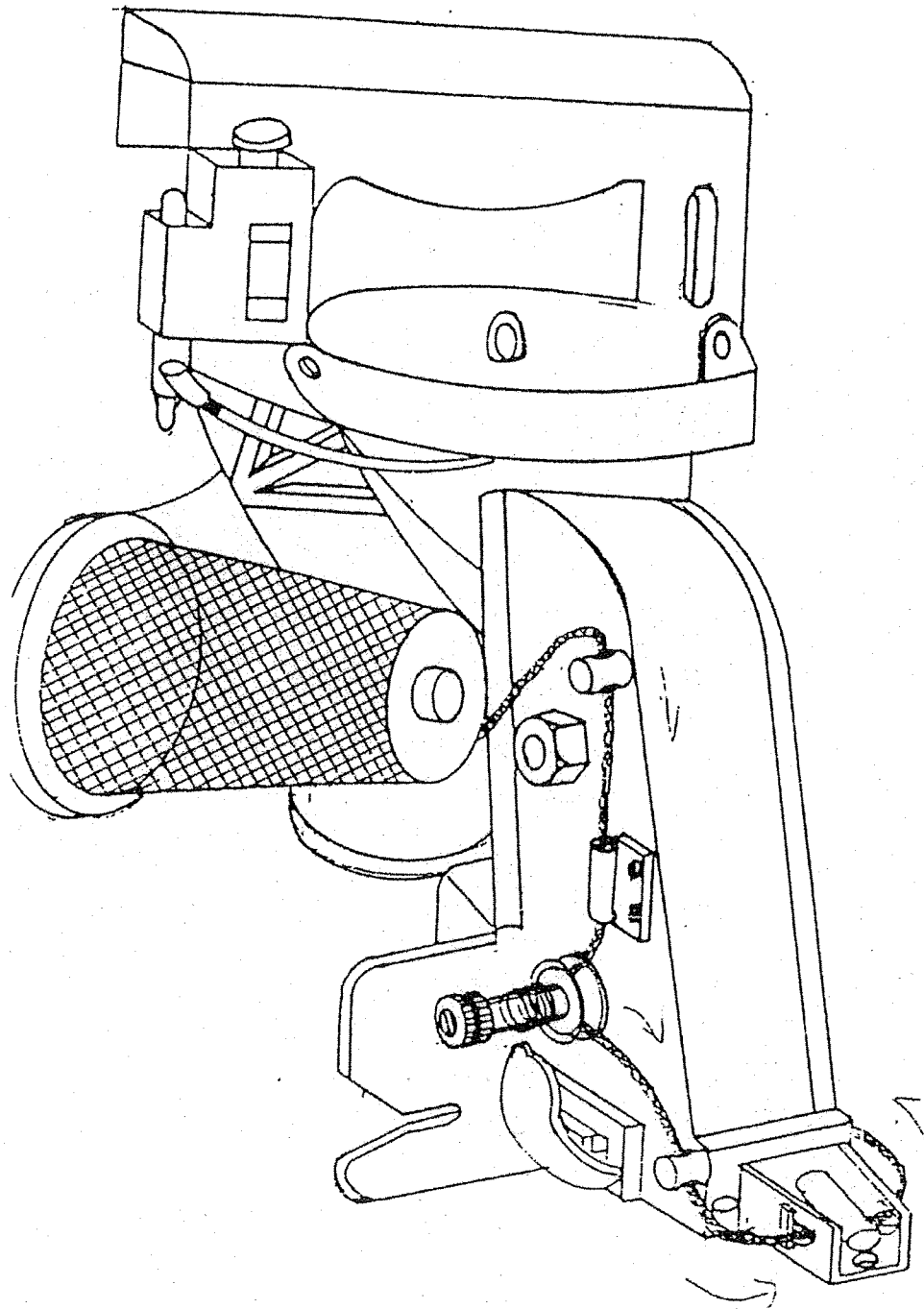


Fig. 3

Oiling: (See Fig. 4)

Be sure to fill the oil reservoir and cover the cap whenever you start your work.

In order to maintain a high performance level, the operator must depress the oiling button to lubricate the machine every 3 hours. The operator should also check the machine from time to time to make sure that all the parts are sufficiently oiled so no damage is incurred due to the lack of lubrication.

Power Connection & Use of Motor.

Be sure to check the correct specification of the power source marked on the name plate of the motor.

The motor of this machine is designed for the intermittent use. Do not run it continuously. It will impair the performance of the motor. Inspect the motor brushes frequently. If worn change them.

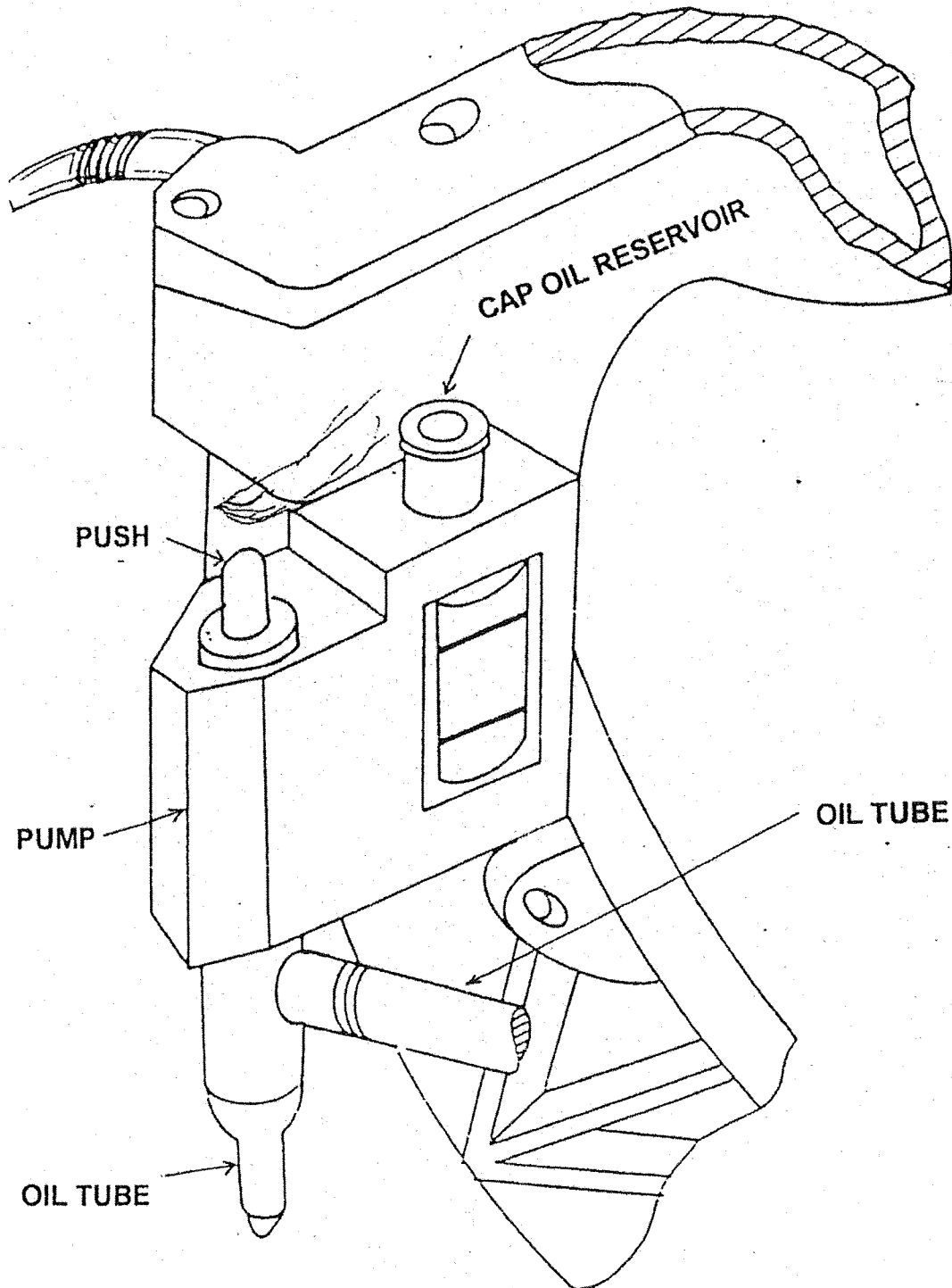


Fig. 4

Operating the machine

Machine Operation (See Fig. 5)

The raise bar (3001217) must be released before starting the machine to prevent damage to adjacent machine parts due to the impact of needle and needle bar. Hold the handle (3001633) and push the trigger button (3001628) with your index finger to start machine. The machine will keep on running whenever the trigger button is depressed and will stop as soon as it is released.

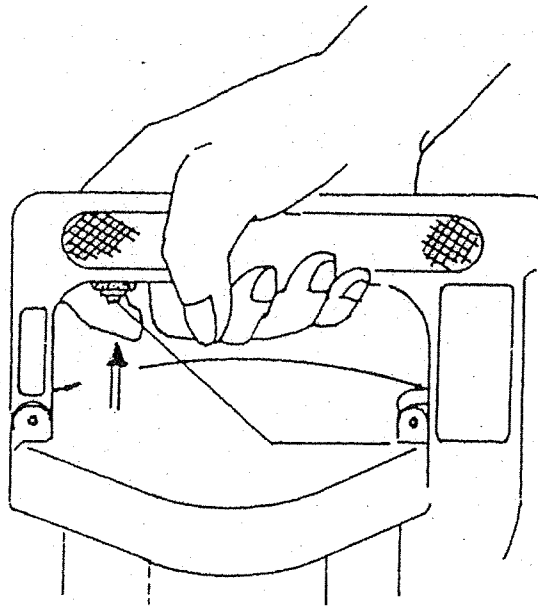


Fig. 5

Sewing operation (See Fig. 6 & 7)

Straighten or flatten the part of the bag to ready it for sewing.

Measure the appropriate distance from the top of the bag to the closing seam position before sewing. generally the appropriate distance would be 100 mm for a woven material bag, 50 mm for paper and plastic bags and 110 mm for the burlap or sisal bag. Hold the bag and insert the bag between the pressure foot (3001220A) and needle plate (3001208). While sewing please keep the stitch line straight and moving forward. Do not pull the bag up, down or backward. Once you've finished sewing please keep 30-40 mm of thread and trim it to prevent loose sewing due to insufficient thread length.

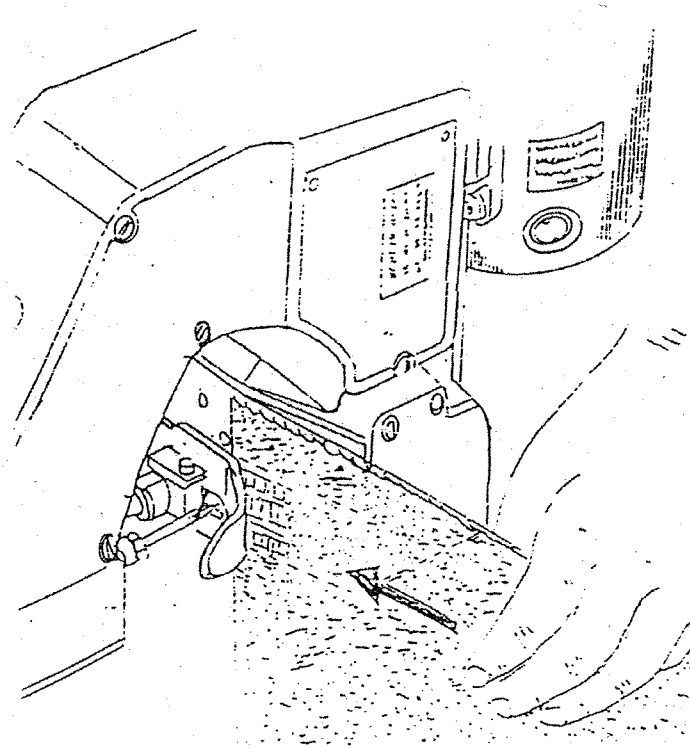


Fig. 6

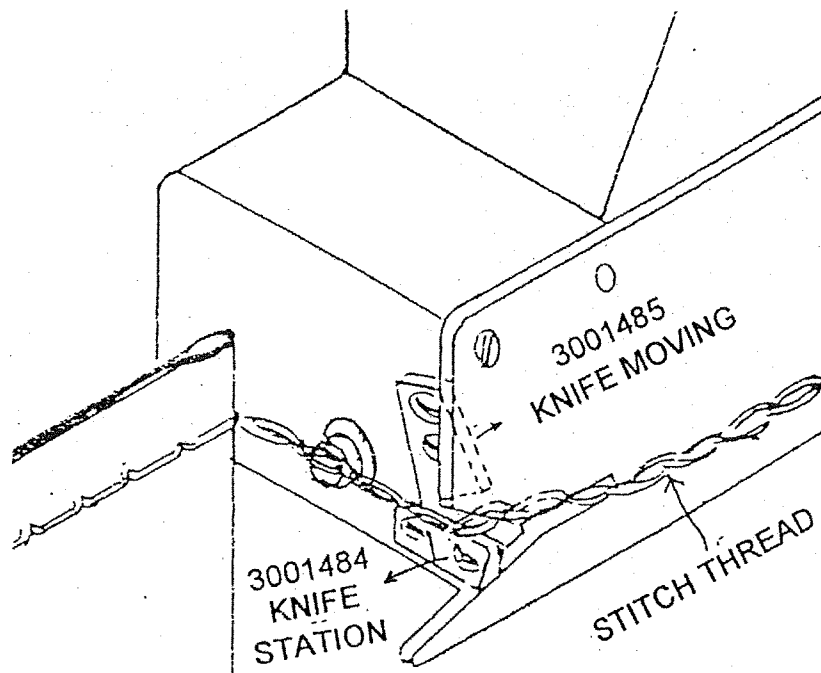


Fig. 7

Adjusting & Replacing Parts

Replacing the Loooper (3001470)

Raise the lift bar (3001270) to the fixed position in order to raise the height of presser foot (3001220A) Remove the needle (3001226), remove the cap of the looper (3001206) and remove the needle plate (3001208). Turn the gear (3001624) to move the feed dog to its lowest position. Take off screw (3001480) and washer and then remove the feed dog (3001478). Loosen screws (3001469-1, 3001469-2) of looper set, and remove the worn looper (3001470). Place the new looper at the deepest position, and keep it on a common plane with looper set. Tighten the screws (3001469-1 and 3001469-2) in order to secure the looper in the proper position.

Adjusting the distance between the looper & the left side of needle (Fig. 8)

Turn the gear (3001624) to check whether the distance between the left stroke limit of looper and needle is about 0.85. (see Fig. 8). If the distance is incorrect, take off the cover plate (3001202) and adjust the clearance between needle and the looper. The correct distance is about 0.85mm.

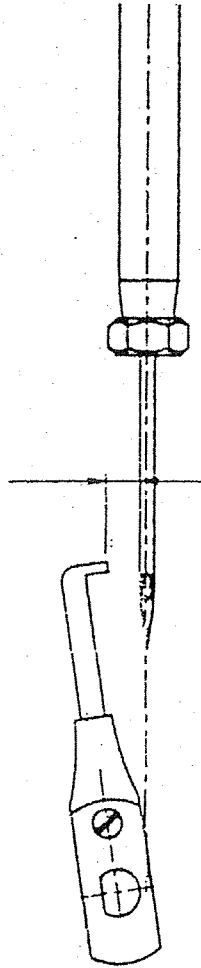


Fig. 8

Adjusting the clearance between the looper & needle (Fig. 9 & 10)

Turn the gear (3001624) to the position of which the top end of the looper just exceeds the side surface of needle and check whether the distance between the top end of looper and needle is about 0.045 mm. (Fig. 9). Loosen the screw (3001231) of needle bar clamping (3001231-1). Adjust to make the bottom of looper align with the top end of needle hole. Tighten the screw (3001231) of needle bar clamping (30012311). Check the clearance of the needle and looper to see whether they align or not (Fig. 10). In general the end point of looper should be as near to the needle trench as possible. If not, loosen screws (3001469-1 & 3001469-2), and move down the looper set (3001469) so as to make the looper near the needle trench as far as possible. Be sure not to make them contact each other. The normal clearance is between 0.01 & 0.03mm.

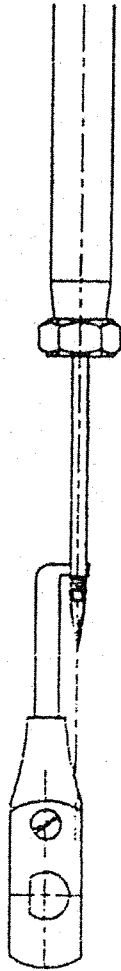


Fig. 9

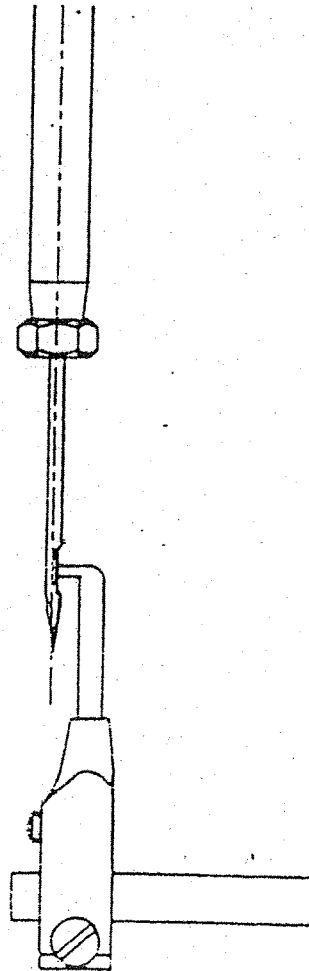


Fig. 10

Adjusting the Sewing distance (Fig. 11)

The correct sewing distance is preset at the factory before packing. Generally the appropriate distance is 7.25mm. If the distance is too high, please check: Whether the feed dog is worn. If so, please change it. When the distance is normal, the top end of the feed dog (3001478) should be 2.4 - 2.7 mm. above the needle plate (3001208). If the height of the new feed dog (3001478) is not within the normal range, adjust the screws (3001475-1) on the feed dog set (3001475). It would be better to adjust the feed dog to the highest normal level. The higher the feed dog, the greater the distance and the higher the speed.

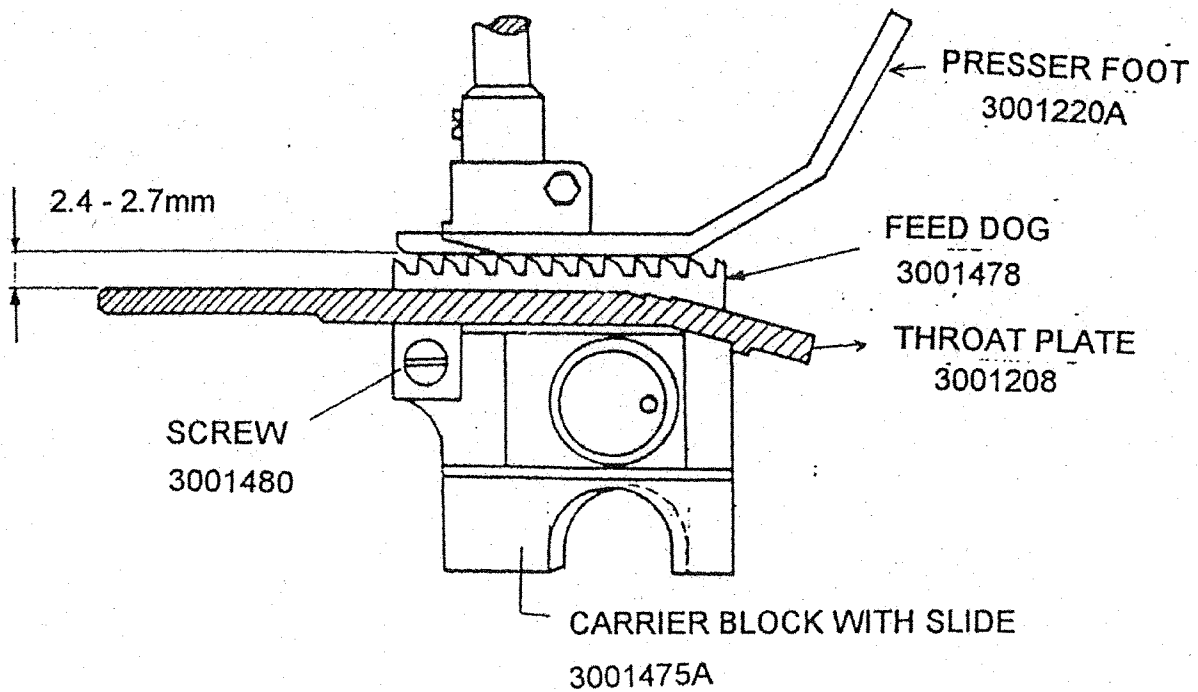


Fig. 11

Cleaning

Immerse machine into oil 11 0-130 mm deep for 20-30 sec. Be sure that the oil used is the sewing machine oil. Do not immerse the motor and electrical cable into the oil. Clean the dust on the machine frame and any internal parts with a brush.

Trouble Shooting

Breaking thread & skipping stitches

Check whether the threading is correct, thread is worn or frayed and the thread tension is correct.

Check whether the gap between needle and looper is correct. If looper is worn out replace a new one.

Needle breaks over and over

Check whether the installation of needle is correct, and needle trench is facing to the left.

Check whether the clearance of looper is normal.

Threading does not tie, or sewing distance is not uniform.

Check whether the needle plate and pressure foot is worn out or distorted. If yes, replace it.

Check whether the pressure on pressure foot is suitable. If not, adjust it.

Check whether the feed dog is worn out. If so, change it.

Additional directions for the replacement of the feed dog

Remove the feed dog by following these simple steps:

Turn the machine pulley until the feed dog is at its lowest position.

Remove the screw and the washer. Pull the feed dog gently out of the carriage block.

Install the new feed dog by following these steps:

Place the new feed dog in the carriage block. Fix the screw and washer.

Consolidated Sewing Machine Corp.
Website: www.consew.com

MAIN office

131 W. 25th Street
New York, NY 10001
Tel: 212-741-7788
Fax: 212-741-7787
e-mail: consew@att.net

Miami, FL

4013 N.W. 79th Avenue
Miami, FL 33166
Tel: 305-471-0200
Fax: 305-471-0243
e-mail: miamisales@consew.com

Los Angeles, CA

2320 South Hill Street
Los Angeles, CA 90007
Tel: 213-745-8844
Fax: 213-745-8855
e-mail: lasales@consew.com