

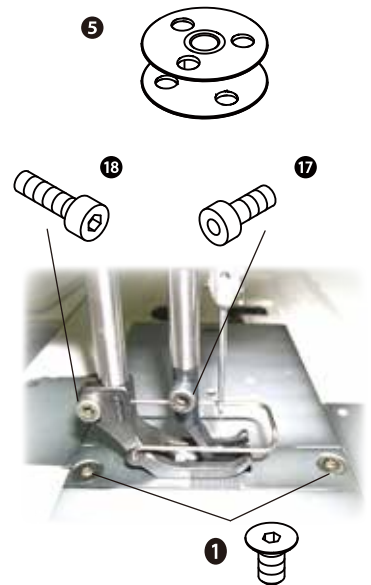
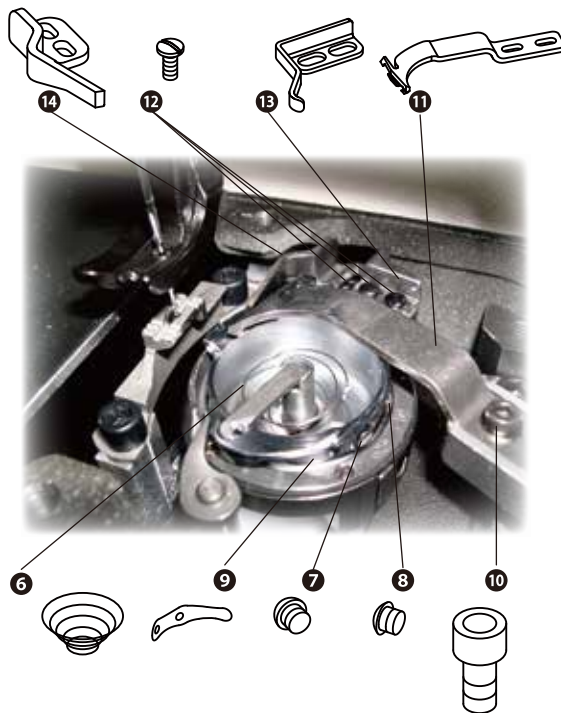
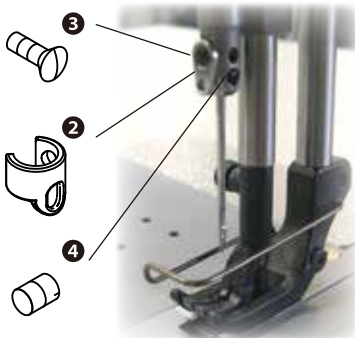
JUKI GENUINE PARTS

# LU-2810A-7

## P/N 40192208

Parts Name : PARTS KIT\_LU2810A7

PARTS#	Description	Qty	PARTS#	Description	Qty
<b>1</b>	SM1051052TN PLATE SCREW M5 L=10	2	<b>10</b>	SM6030602TP SCREW M3X0.5 L=6	2
<b>2</b>	40143221 NEEDLE_BAR_THREAD_GUIDE_2810A	1	<b>11</b>	40132434 MOVING_KNIFE	4
<b>3</b>	SS2060310SP SCREW 3/32-56 L=3	1	<b>12</b>	SS7060610SP SCREW 3/32-56 L= 5.5	1
<b>4</b>	SS8080410TP SCREW 1/8-44 L=3.5	1	<b>13</b>	21389408 CLAMP_SPRING	2
<b>5</b>	21334800 ALUMINUM BOBBIN WITH KNURL	4	<b>14</b>	21389309 FIXED_KNIFE	1
<b>6</b>	40079912 IDLING PRIVENTION SPRING	1	<b>15</b>	22618706 THREAD TAKE-UP SPRING A	1
<b>7</b>	40079899 ADJUSTING SCREW	1	<b>16</b>	40126311 WINDER_CUTTER	1
<b>8</b>	40079900 TENTION SPRING SETSCREW	1	<b>17</b>	SM6040552TP SCREW M4 L=4.5	1
<b>9</b>	40079898 TENTION SPRING	1	<b>18</b>	SM6040802TP SCREW M4X0.7 L=8	2



E.O.F.