



104-1T

104-2T

104-3T

**PARTS BOOK
AND INSTRUCTION MANUAL**

INDEX

DESCRIPTON.....	2
SPEED	4
TO OIL THE MACHINE	3
NEEDLES, NIPPLES AND THREAD	4
TO REMOVE, REPLACE AND SET NEEDLE AND NIPPLE	5
TO THREAD THE MACHINE	7
LEARNING TO OPERATE THE MACHINE.....	9
TO OPERATE THE MACHINE	9
T REGULATE THE PRESSURE ON THE PRESSER FOOT.....	10
TENSIONS	10
TO ADJUST THE LENGTH OF STITCH	11
TO REGULATE THE PRESSURE ON THE NIPPLE	12
THE LOOPER	12
TO SET THE LOOPER	13
PILE OR MOSS STITCH.....	14
PARTS LIST	15

DESCRIPTION

Embroidery machine makes the single thread chain stitch and can be quickly adjusted to make the drop or moss stitch without unthreading the machine. It is designed for ornamenting or embroidering curtains, upholstery, dresses, scarf, gloves, table covers, lace, etc. The machine also can make linen and towels for hotels, etc., by stitching a name into the material.

The thread may be of cotton, wool, worsted, silk, metal and other threads of similar adaptability. A large variety of fabrics can be embroidered, ranging from fine chiffon to china silk and cloth.

The usual method of producing embroidered designs is to follow a pattern that has been perforated, stamped or traced on the fabric, but with practice the operator can produce embroidery designs without pre-making the fabric.

SPEED

When first operating this machine, the best results can be obtained by running the machine at approximately 800 stitches per minute. The speed can be increased as the operator become more proficient and the nature of the work permits.

TO OIL THE MACHINE

To insure easy running and prevent unnecessary wear of the parts which are in movable contact, the machine requires oiling.

Oil should be applied to the places designated by unlettered arrows in Figs. 1, 2, 9, and 10.

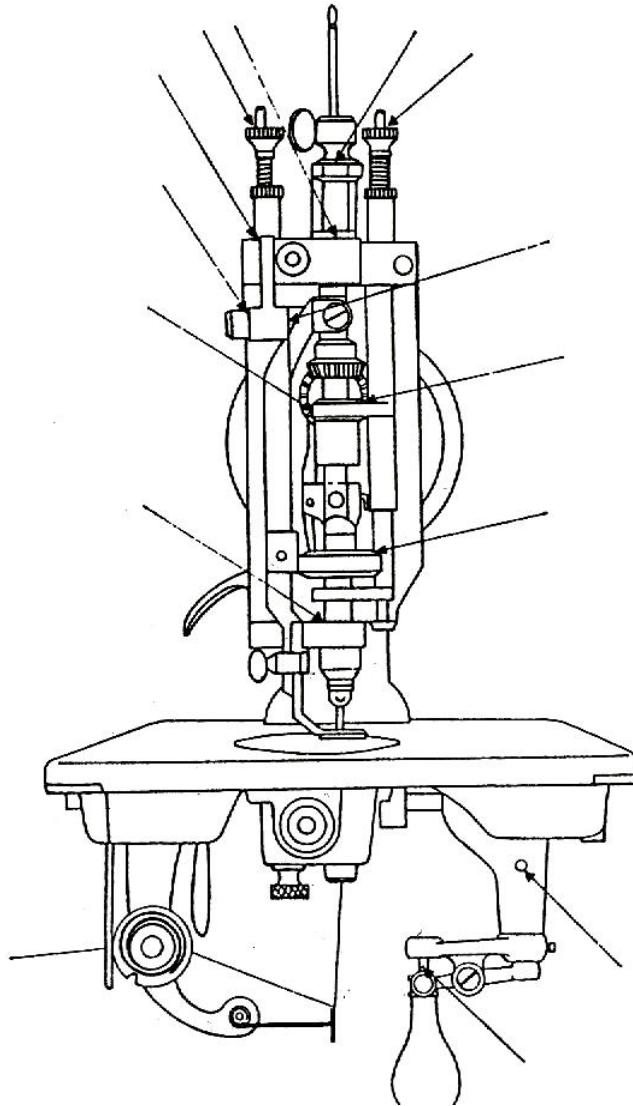


Fig. 1, End view of machine showing oiling points.

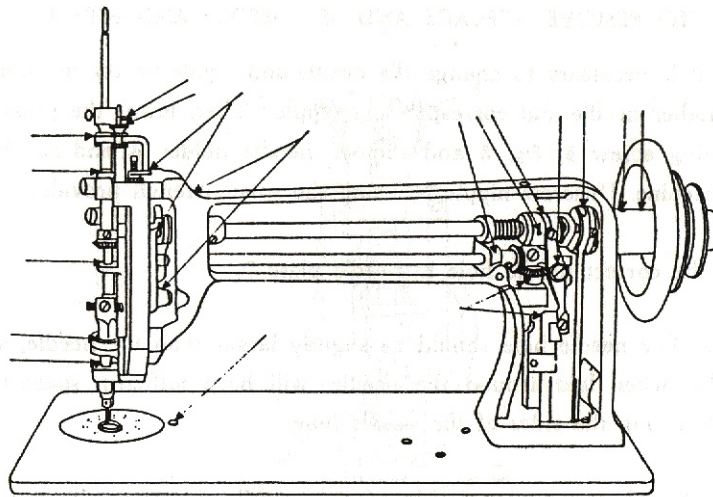


Fig. 2, Oiling points of the front of the machine

Fig. 2 shows the arm cover removed for the purpose of oiling. This arm cover can be removed after taking out thumb screw W, Fig. 8.

If the machine is used continuously, oil should be applied at least once each day.

NIPPLES, NIPPLES AND THREAD

Needles for embroidery machine are catalogue no. 5901 (137 x 1) and are available in sizes from 1 to 12. These needles have hook similar in appearance to those of hand crochet needles.

The needle must be selected according to the thickness and the style of the thread to be used. The thread must not only fill the opening of the hook in the needle but must slide freely therein.

To correspond with the needle used in the machine a suitable nipple must be selected, as the needle in forming the stitch has to operate through the nipple. The needle must fit in the nipple and slide freely without side play. Nipples are available in size numbers similar to those of the needles, and for general work the number of the nipple should be the same as that of the needle.

TO REMOVE, REPLACE AND SET NEEDLE AND NIPPLE

When it is necessary to change the needle and nipple on the machine, first select another needle and corresponding nipple. Then lower the presser bar, loosen wing screw B, Fig. 3 and remove needle holder A and needle from top of machine. Unscrew nipple N, using the small wrench provided.

Select the correct needle hole in needle plate D.

NOTE: The needle hole should be slightly larger than the needle, so that the needle, when laid around the needle, will have sufficient space to pass without touching the sides of the needle hole.

Loosen thumb screw L and turn plate D until correct needle hole is in line with needle, then tighten thumb screw L.

Next, screw selected nipple into the lower end of nipple carrier O and tighten securely with the small wrench. Screw selected needle into either end of needle holder A and tighten with pliers provided. Replace needle holder A down into sleeve and adjust its height so that the fabric to be embroidered can just under the point of the needle.

Be sure handle K is as far to the front as possible and that the hook of the needle faces the front. Then tighten wing screw B, which also should face the front.

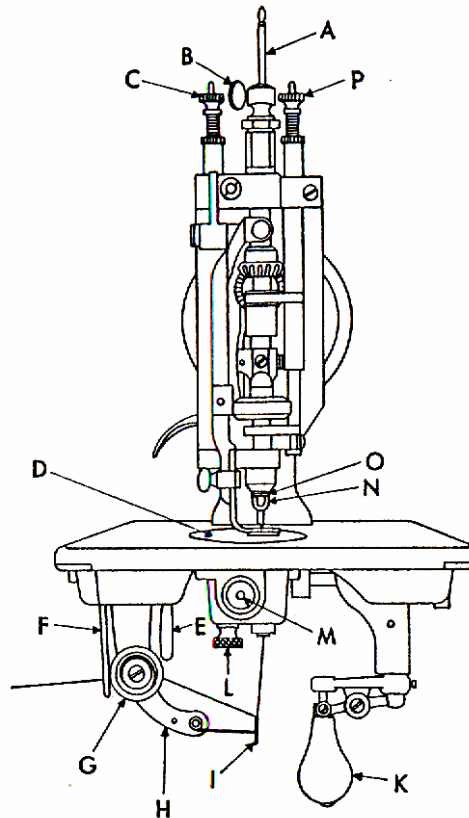


Fig. 3, Adjustments on the machine

- A. Needle holder
- B. Wing screw for needle holder
- C. Thumb screw for regulating pressure on presser foot
- D. Needle plate
- E. Tension regulating lever
- F. Tension regulating plate
- G. Tension complete
- H. Tension bracket
- I. Thread controller spring
- K. Handle for directing feed and operating stop motion
- L. Thumb screw for holding needle plate
- M. End for looper shaft
- N. Nipple
- O. Nipple carrier
- P. Thumb screw for regulating pressure on nipple

TO THREAD THE MACHINE

Place the cone of thread in a convenient position on the floor.

Three thread eyelets are furnished with machine. These eyelets should be fastened to the underside of the table as shown at 1, 2 and 3, Fig. 4. Eyelet 1 should be located directly above the cone of thread.

Pass the thread up from the cone and through eyelets 1, 2 and 3, then through hole 4, over between tension discs 5, through thread controller 6. Turn handle K, Fig. 5 to the front or slightly to the left, raise presser foot and insert threading wire S in the forward hole 7 of needle plate. With the left hand, catch thread on hook of threading wire S and draw wire and thread up through hole of needle plate. With the left hand, hold end of thread with a slight tension.

With the right hand, turn handle K straight to the left and, having started the machine, quickly bear down and up on handle K so that the needle will pick up the thread for one stitch.

Keep handle K in same position and, with the threading wire, draw thread directly toward you laying end of thread loosely on needle plate after it comes up through needle hole. The machine is then ready for operation.

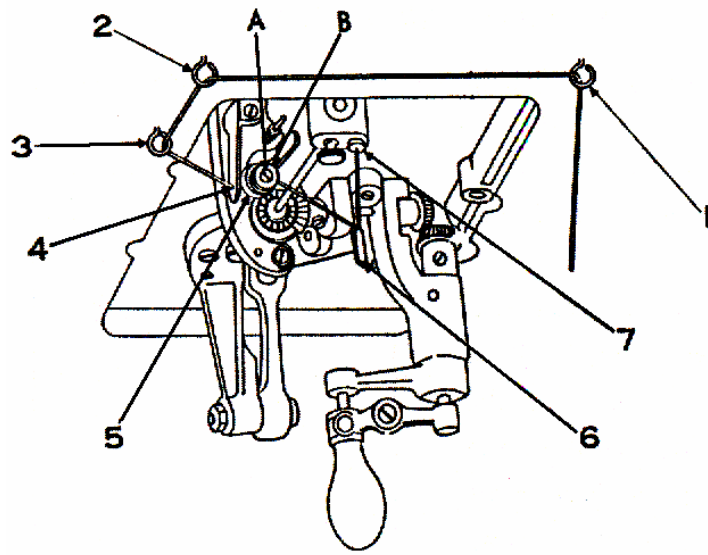


Fig. 4, Threading machine

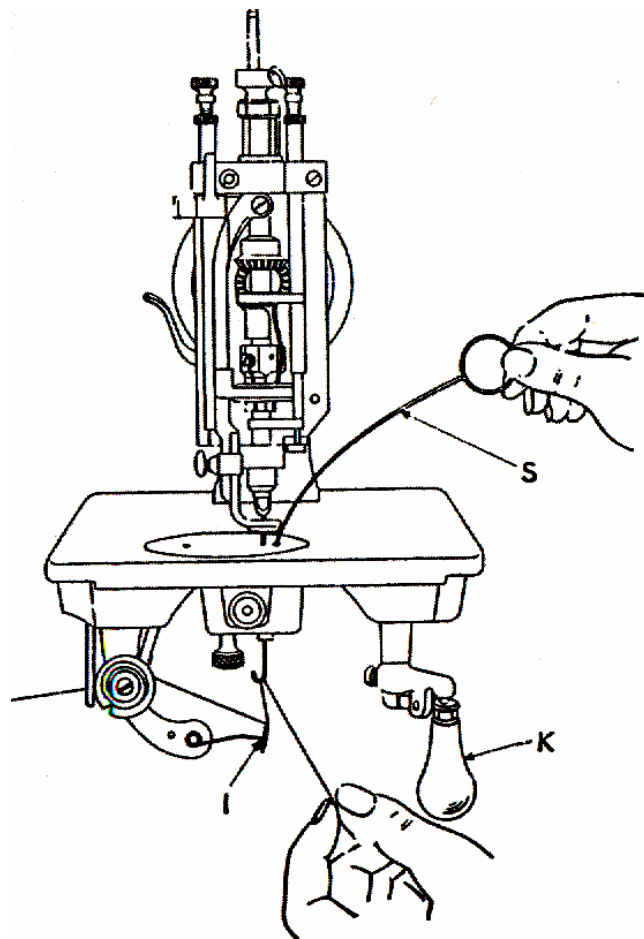


Fig. 5, Threading machine

LEARNING TO OPERATE THE MACHINE

NOTE: When in operation the machine pulley must always turn over away from operator.

Mark a design (see Fig. 6) on a 12 inch square piece of cloth.

Place cloth under presser foot so that needle will enter cloth at point 1. Turn handle K, Fig. 3 to the right and the hook of the needle will be turned in the same direction. Lower presser foot, start machine pulley by turning it over away from you, grasp handle K and pull it down to start the machine. With handle depressed and to the right, cloth will be fed to point 2, then turn handle to the front and cloth will be fed to point 3, turn handle to the left and cloth will be fed to point 4, etc.

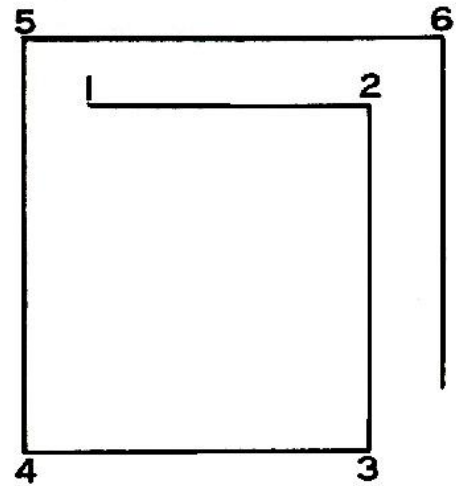


Fig. 6. Diagram for practice

To stop machine raise handle K. machine will stop with needle as its highest point.

TO OPERATE THE MACHINE

The operator should practice embroidering designs similar to those illustrated below:



Fig. 7. Designs for beginners

These designs can be sketched on white material such as lawn, and by following them, the operator can soon become proficient enough to attempt more intricate designs or patterns.

TO REGULATE THE PRESSURE ON THE PRESSER FOOT

The pressure on the presser foot is regulated by the thumb screw C, Fig. 3. To increase the pressure, turn the thumb screw over to the right or downward. To decrease the pressure, turn the thumb screw over to the left or upward.

TENSIONS

If stitches are too tight, raise needle holder approximately 1/16 inch.

Various effects can be produced by changing the height of the needle holder as well as by adjusting the length of stitch.

The tension on the thread is regulated by the thumb nut B, Fig. 4 at the left of the tension discs. To increase the tension turn this nut over toward you. To decrease the tension turn this thumb nut over from you. This tension should be only tight enough to prevent the skipping of stitches.

TO ADJUST THE LENGTH OF STITCH

The length of stitch is adjusted by screw T, Fig 8. To lengthen the stitch, loosen locking lever U and turn screw T over to the left or upward, then tighten locking lever U.

To shorten the stitch, loosen locking lever U and turn the screw T over to the right or downward, then tighten locking lever U.

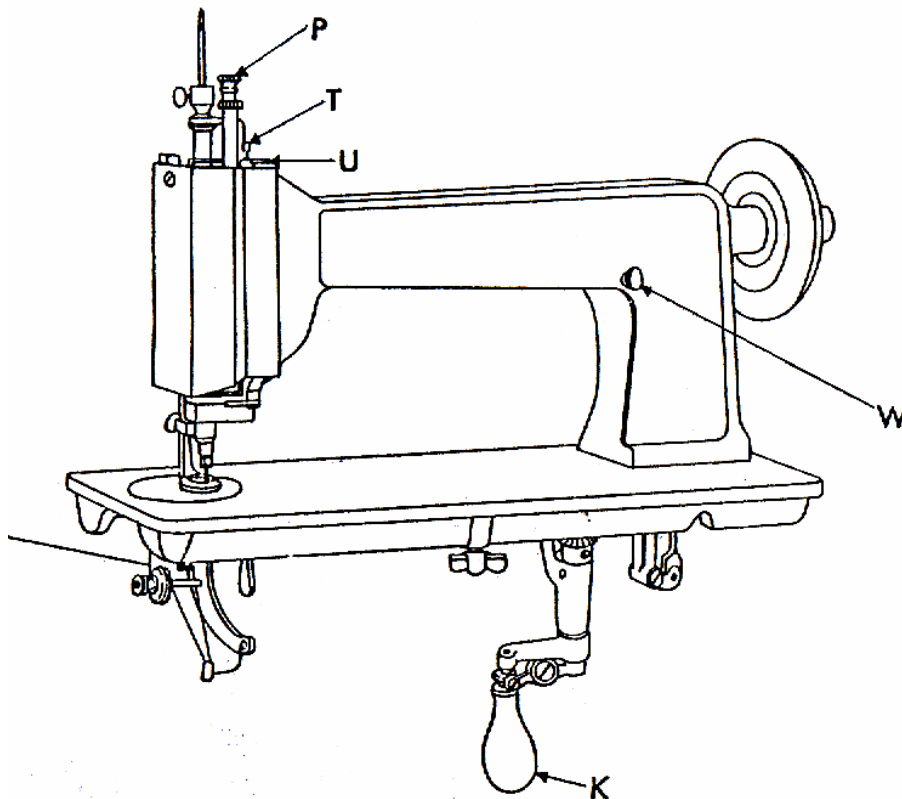


Fig. 8. Adjustments on the machine

TO REGULATE THE PRESSURE ON THE NIPPLE

The pressure on the nipple is regulated by the thumb screw P, Fig. 8 at the top of the machine. To increase the pressure, turn this thumb screw over to the right or downward. To decrease the pressure, turn this thumb screw over to the left or upward.

NOTE: Too much pressure on the nipple may cause the thread to break.

When sewing fine net it is sometimes necessary to prevent the nipple from touching the needle plate.

To raise the nipple, insert a screw driver in hole R, Fig. 9 and loosen the set screw therein. The eccentric adjusting stud Q can then be turned so that nipple can be set at the desired height; then tighten the set screw in hole R.

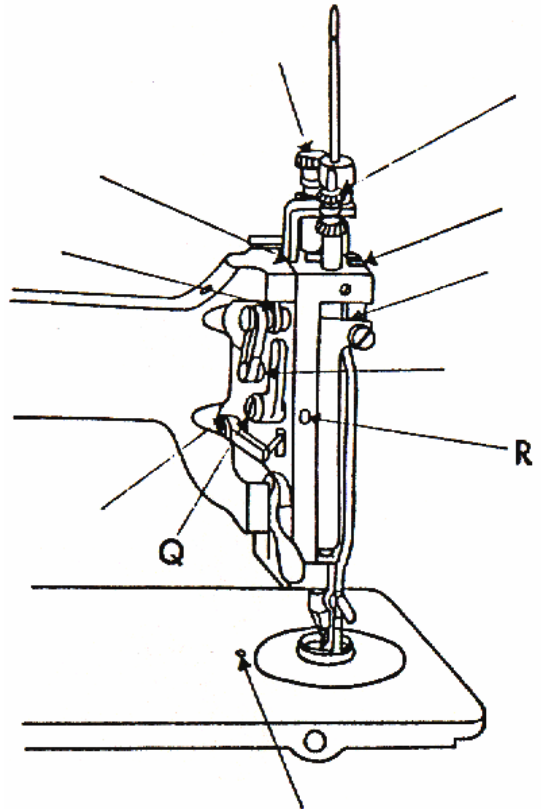


Fig. 9. Oiling points and adjustments of the back of the machine

THE LOOPER

Allow the stop motion to throw the machine out of action and make sure that it is securely held in its locking position. Raise the needle holder to avoid breaking the point of the needle, remove the needle plate after removing the thumb screw L, Fig. 10, and observe the notch in the looper which, when in its correct position, should be at the rear, slightly to the right of the needle, while the handle K is toward the front.

TO SET THE LOOPER

Turn the machine back on its hinges and turn handle K, fig. 10 and wing screw B, Fig. 3 to the front. Loosen set screw X, Fig. 10 of the operating worm gear Y, and turn the gear slightly, until the notch in the looper is in its correct position as instructed above. After having set the worm gear flush with the end of the looper shaft M, tighten the set screw X.

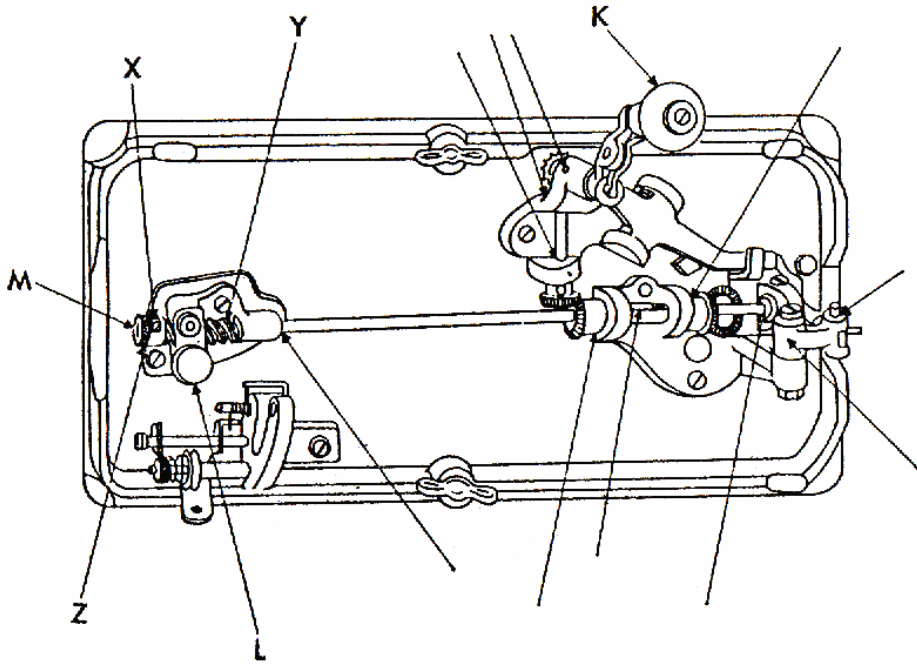


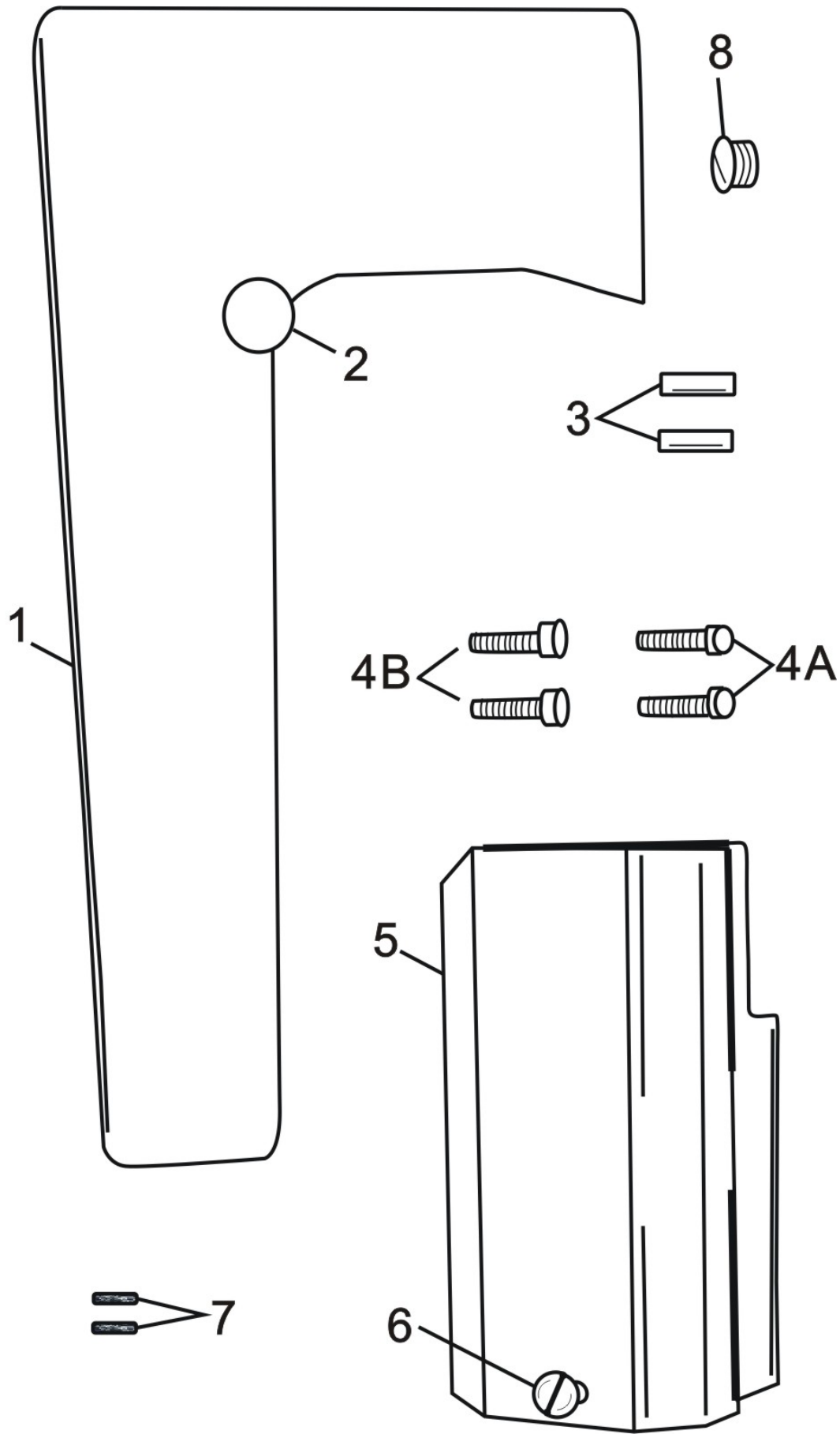
Fig. 10, Oiling points and adjustments in base of machine

PILE OR MOSS STITCH

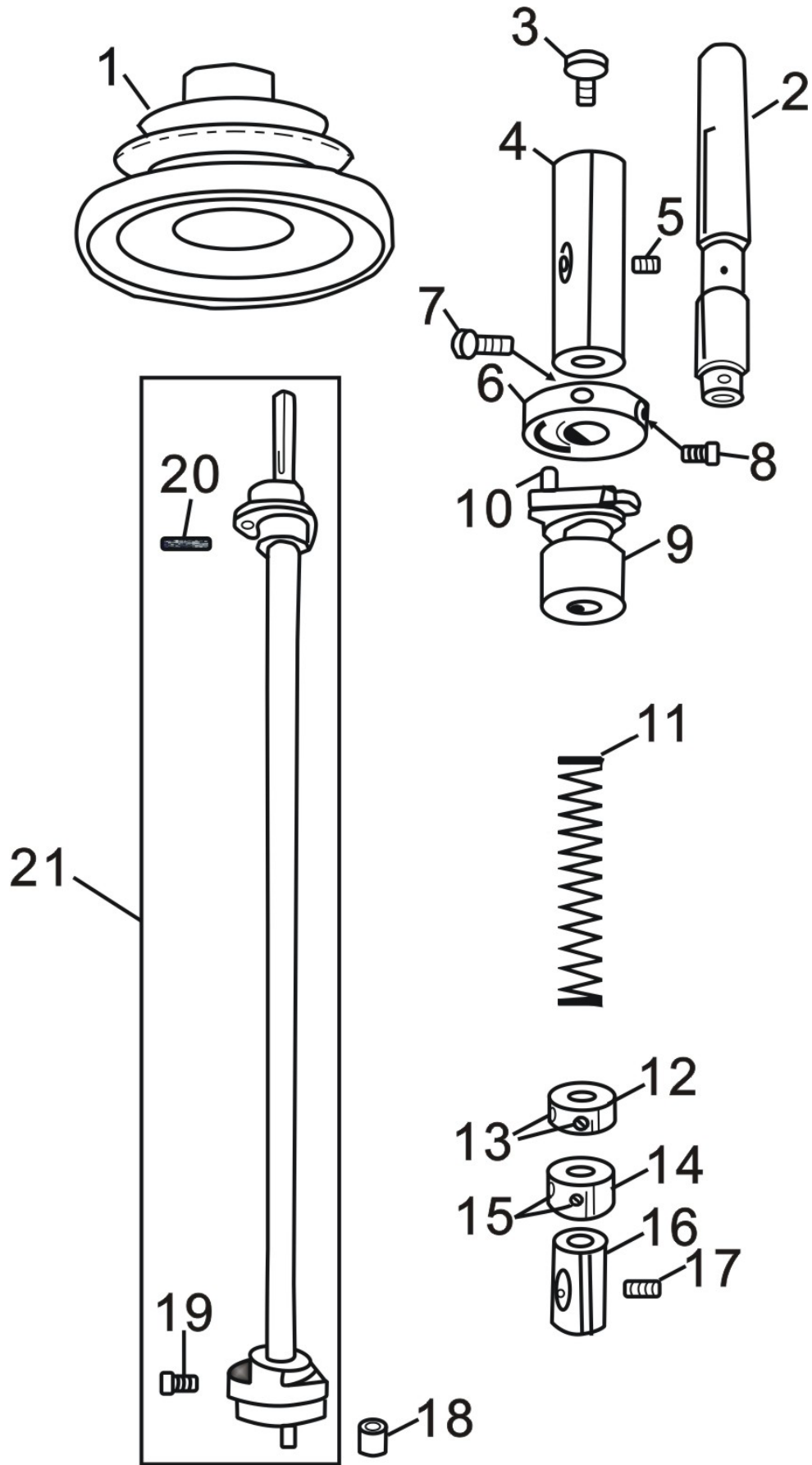
The raised pile or moss stitch or produced by adjusting the machine so that it will drop the stitches in loose loops on the material. To accomplish this, turn handle K to the front , loosen the wing screw B, Fig.3 and turn the needle holder so that the hook of the needle will point directly to the back of the machine, then tighten the wing screw. Reach under the bed of the machine with the left hand, grasp the knurled end Z, Fig. 10 of the operating worm gear, draw the worm gear to the left and while holding it turn handle K around to the right directly to the back, then release the knurled end of the gear.

The looper will then be set in the opposite direction to that which is required for the chain stitch, or with the notch of the looper at the front of the needle while handle K is at the front.

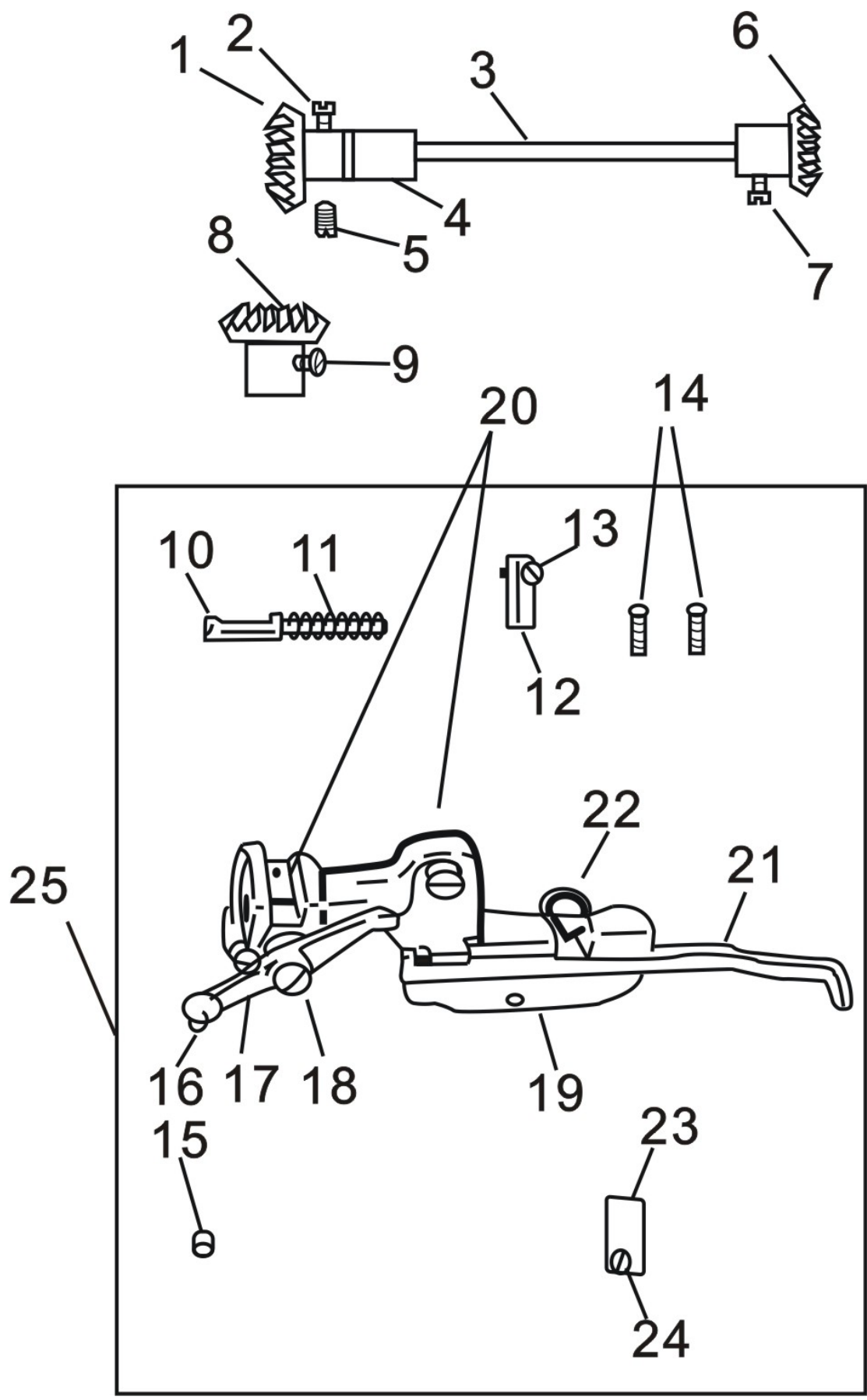
By operating the machine and turning handle K rapidly, so as to make very small circles of dropped stitch loops laid one on the other , raised pile work is produced. The higher the needle is set the longer the loop will be. The size of the thread and thickness of the material used will have to be considered when adjusting the machine for pile stitching.



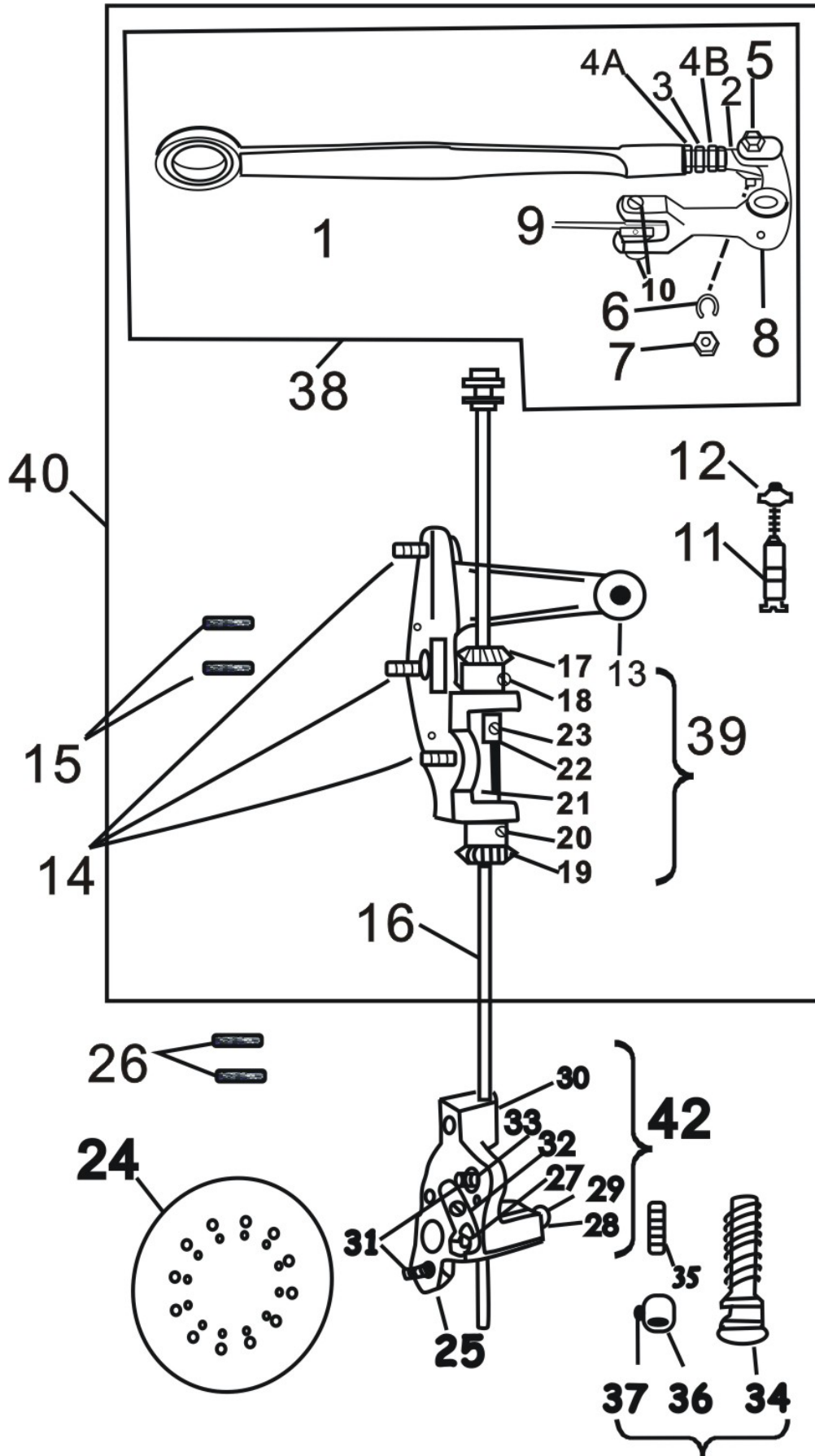
Ref. NO.	Parts No.	Description
P1-1	8135	ARM SIDE COVER
P1-2	123	ARM SIDE COVER THUMB SCREW
P1-3	8154	ARM POSITION PIN
P1-4A	8153-A	ARM SCREW (LONG)
P1-4B	8153-B	ARM SCREW (SHORT)
P1-5	8134	ARM HEAD COVER
P1-6	5227	ARM HEAD COVER THUMB SCREW
P1-7	8150	ARM HEAD POSITION PIN
P1-8	8181	ARM SCREW



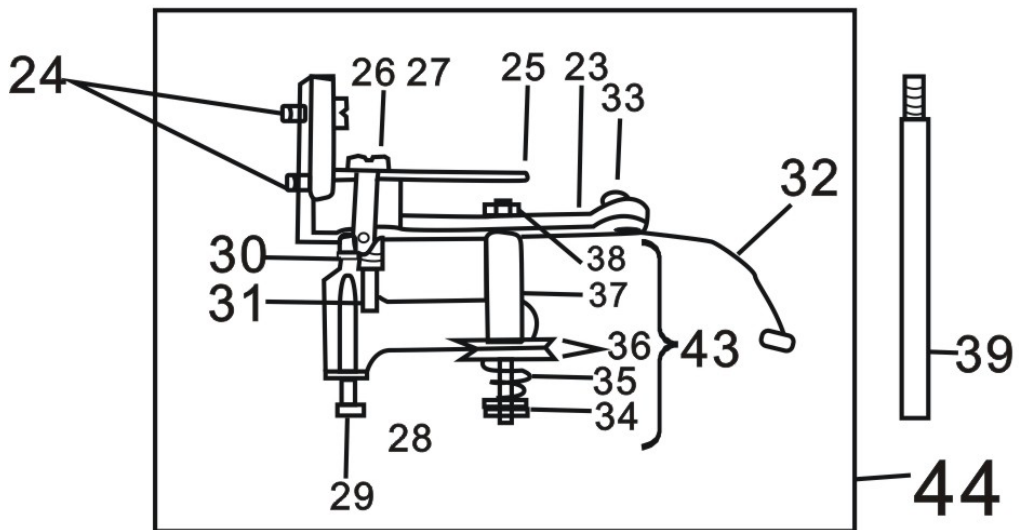
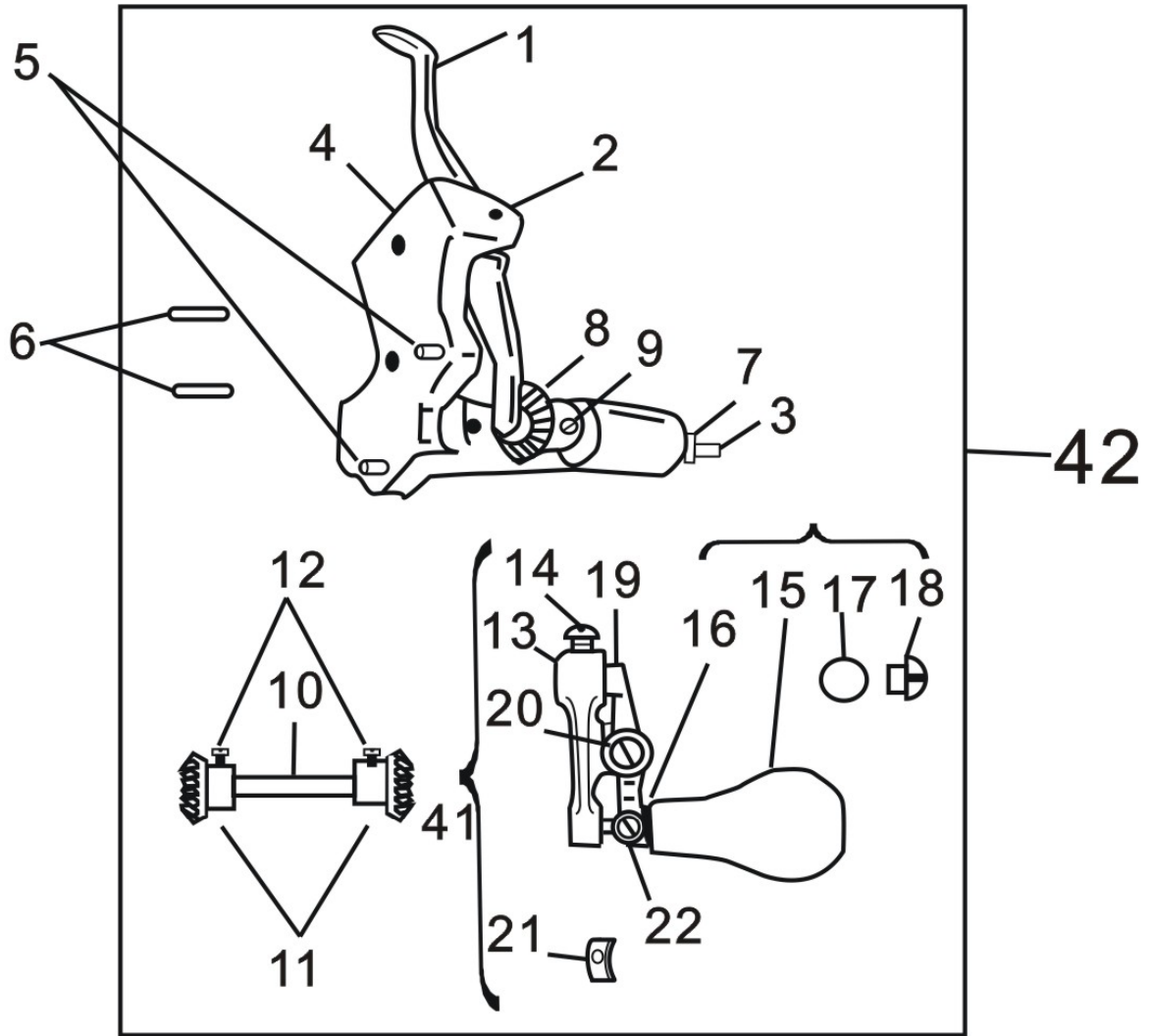
REF. NO.	PARTS NO.	DESCRIPTION
P2-1	8017-B	DRIVING PULLEY
P2-2	8015	DRIVING PULLEY SLEEVE
P2-3	8018	DRIVING PULLEY SLEEVE SCREW
P2-4	8016-A	DRIVING PULLEY SLEEVE BUSHING
P2-5	98	DRIVING PULLEY SLEEVE BUSHING SCREW
P2-6	8012	ARM SHAFT DRIVING FLANGE WITH SCREWS
P2-7	8013	ARM SHAFT DRIVING FLANGE POSITION SCREW
P2-8	8014	ARM SHAFT DRIVING FLANGE SET SCREW
P2-9	8008	STOP CAM
P2-10	8163	STOP CAM DRIVING STUD
P2-11	8009-A	STOP CAM SPRING
P2-12	8010	STOP CAM SPRING COLLAR WITH SET SCREWS
P2-13	132	STOP CAM SPRING COLLAR SET SCREW
P2-14	5266	ARM SHAFT COLLAR WITH SET SCREWS
P2-15	132	ARM SHAFT COLLAR SET SCREW
P2-16	8003-B	ARM SHAFT BUSHING
P2-17	98	ARM SHAFT BUSHING SCREW
P2-18	8006	NEEDLE DRIVING CAM ROLLER
P2-19	8005-A	NEEDLE DRIVING CAM POSITION SCREW
P2-20	8146	LOOPER OPERATING CAM POSITION PIN
P2-21	813	ARM SHAFT WITH LOOPER OPERATING CAM, NEEDLE DRIVING CAM, ROLLER STUD, POSITION PIN AND POSITION SCREW



REF. NO.	PARTS NO.	DESCRIPTION
P3-1	8110-A	STITCH ROTATING GEAR (UPPER) WITH SET SCREW
P3-2	8142	STITCH ROTATING GEAR (UPPER) SET SCREW
P3-3	8111	STITCH ROTATING GEAR SHAFT
P3-4	8180	STITCH ROTATING GEAR SHAFT BUSHING
P3-5	132	STITCH ROTATING GEAR SHAFT BUSHING SCREW
P3-6	8112-A	STITCH ROTATING GEAR (LOWER) WITH SET SCREW
P3-7	8142	STITCH ROTATING GEAR (LOWER) SET SCREW
P3-8	8110-A	FEED ROTATING GEAR (UPPER) (REAR) WITH SET SCREW
P3-9	8142	FEED ROTATING GEAR (UPPER) (REAR) SET SCREW
P3-10	8079	STOP BRACKET INTERLOCKING ROD
P3-11	8080	STOP BRACKET INTERLOCKING ROD SPRING
P3-12	8081	STOP BRACKET INTERLOCKING STOP BLOCK
P3-13	121	STOP BRACKET INTERLOCKING STOP BLOCK SCREW
P3-14	8159	STOP BRACKET POSITION PIN
P3-15	8077	STOP CAM ROLLER
P3-16	8078	STOP CAM ROLLER SCREW STUD
P3-17	8075	STOP CAM ROCKING LEVER
P3-18	8076	STOP CAM ROCKING LEVER HINGE SCREW
P3-19	8074	STOP BRACKET
P3-20	8172	STOP BRACKET SCREW
P3-21	8082	STARTING TRIP LEVER SLIDE
P3-22	8084	STARTING TRIP LEVER SLIDE SPRING
P3-23	8083	STRATING TRIP LEVER SLIDE CAP
P3-24	124	STARTING TRIP LEVER SLIDE CAP SCREW
P3-25	801	STOP BRACKET COMPLETE. (REF. NOS.)10.11.12 13.15.16.17.18.19.21.22.23 & 24.

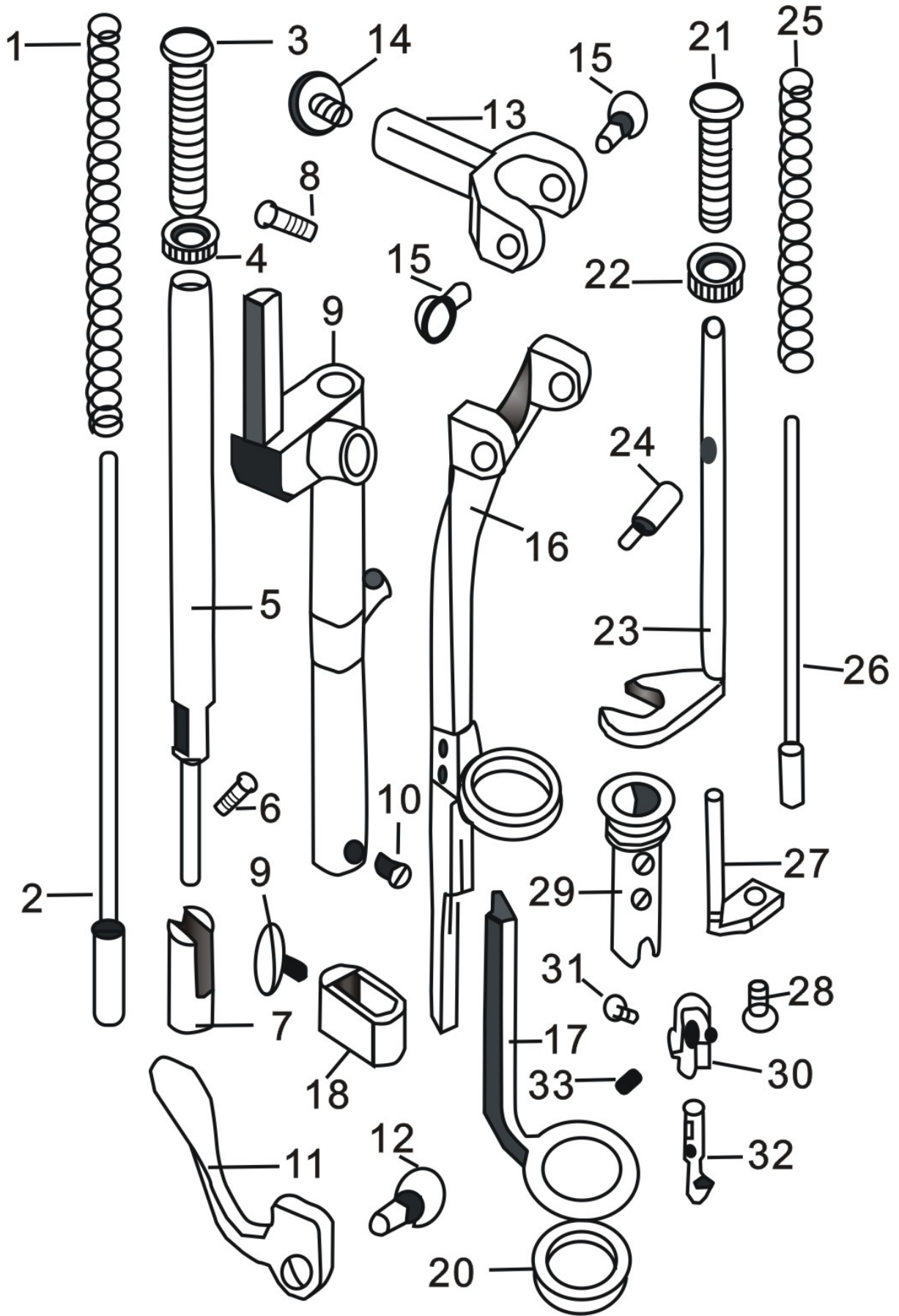


REF. NO.	PARTS NO.	DESCRIPITON
P4-1	8085-B	LOOPER OPERATING CONNECTION (CAM END)
P4-2	8177	LOOPER OPERATING CONNECTION JOINT
P4-3	8174	LOOPER OPERATING CONNECTION JOINT PITMAN
P4-4A	8175	LOOPER OPERATING CONNECTION JOINT PITMAN NUT (UPPER)
P4-4B	8176	LOOPER OPERATING CONNECTION JOINT PITMAN NUT (LOWER)
P4-5	8178	LOOPER OPERATING CONNECTION JOINT HINGE STUD
P4-6	8179	LOOPER OPERATING CONNECTION JOINT HINGE STUD SPRING WASHER
P4-7	5207	LOOPER OPERATING CONNECTION JOINT HINGE STUD NUT
P4-8	8089-A	LOOPER OPERATING BELL CRANK
P4-9	8092	LOOPER OPERATING BELL CRANK HINGE BLOCK
P4-10	8093	LOOPER OPERATING BELL CRANK HINGE BLOCK SCREW
P4-11	8090	LOOPER OPERATING BELL CRANK HINGE SCREW
P4-12	8091	LOOPER OPERATING BELL CRANK HINGE SCREW NUT
P4-13	8088	LOOPER OPERATING BELL CRANK BRACKET
P4-14	8143	LOOPER OPERATING BELL CRANK BRACKET SCREW
P4-15	8149	LOOPER OPERATING BELL CRANK BRACKET POSITION PIN
P4-16	8094	LOOPER OPERATING SHAFT
P4-17	8096-A	LOOPER OPERATING SHAFT SLEEVE GEAR WITH SET SCREW
P4-18	8142	LOOPER OPERATING SHAFT SLEEVE GEAR SET SCREW
P4-19	8097-A	LOOPER OPERATING SHAFT SLEEVE AND GEAR WITH SET
P4-20	8142	LOOPER OPERATING SHAFT SLEEVE AND GEAR SET SCREW
P4-21	8095-B	LOOPER OPERATING SHAFT GUIDE
P4-22	8098-B	LOOPER OPERATING SHAFT GUIDE BLOCK
P4-23	129-B	LOOPER OPERATING SHAFT GUIDE BLOCK SET SCREW
P4-24	8106	NEEDLE PLATE
P4-25	8107	NEEDLE PLATE CLAMPING THUMB SCREW
P4-26	8150	PRESSER FOOT LIFTING STOP PIN
P4-27	8100-A	LOOPER
P4-28	8152	LOOPER COLLAR WITH SET SCREW
P4-29	129-B	LOOPER COLLAR SET SCREW
P4-30	8099	LOOPER BRACKET
P4-31	8158	LOOPER BRACKET SCREW
P4-32	8101	LOOPER POSITION PLATE
P4-33	124	LOOPER POSITION PLATE SCREW
P4-34	8102	LOOPER OPERATING GEAR (SPIRAL)
P4-35	8103	LOOPER OPERATING GEAR SPRING
P4-36	8104	LOOPER OPERATING COLLAR WITH SET SCREW
P4-37	8105	LOOPER OPERATING COLLAR SET SCREW
P4-38	802-A	LOOPER OPERATING CONNECTION COMPLETE. (REF. NOS. 1.2.3.4A.4B.5.6.7.8 TWO 9 & TWO 10)
P4-39	803	LOOPER OPERATING BELL CRANK BRACKET (REF. NOS. 13 WITH 17 TO 23)
P4-40	804-A	LOOPER OPERATING BELL CRANK BRACKET COMPLETE. (REF. NOS. 11.12.16.38&39)
P4-41	805	LOOPER OPERATING GEAR (REF. NOS.) 34 WITH 35, 36 & 37)
P4-42	806	LOOPER BRACKET COMPLETE (REF. NOS. 27.28.29.30.32&33)

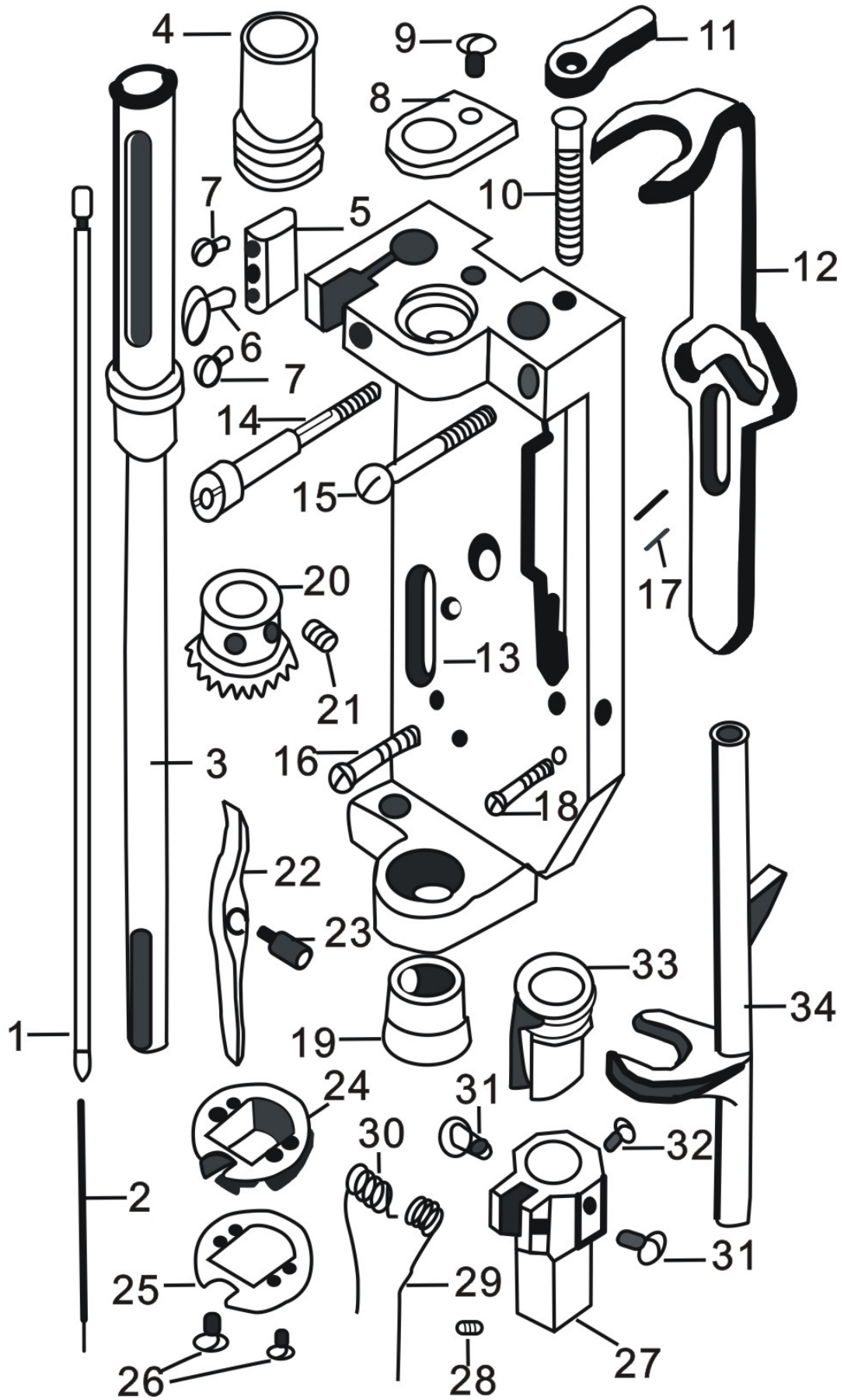


REF. NO.	PARTS NO.	DESCRIPTION
P5-1	8123	STARTING TRIP LEVER (INTERMEDIATE)
P5-2	8124	STARTING TRIP LEVER (INTERMEDIATE) HINGE SCREW
P5-3	8122	STARTING TRIP LEVER ROD
P5-4	8113	STITCH ROTATING GEAR BRACKET
P5-5	8143	STITCH ROTATING GEAR BRACKET SCREW
P5-6	8149	STITCH ROTATING GEAR BRACKET POSITION PIN
P5-7	8114-A	STITCH ROTATING HAND LEVER SHAFT
P5-8	8096-A	STITCH ROTATING HAND LEVER SHAFT GEAR WITH SET SCREW
P5-9	8142	STITCH ROTATING HAND LEVER SHAFT GEAR SET SCREW
P5-10	8117	STITCH ROTATING GEAR BRACKET SHAFT (INTERMEDIATE)
P5-11	8110-A	STITCH ROTATING GEAR BRACKET SHAFT (INTERMEDIATE) GEAR (BACK OR FRONT) WITH SET SCREW
P5-12	8142	STITCH ROTATING GEAR BRACKET SHAFT (INTERMEDIATE) GEAR (BACK OR FRON)SET SCREW
P5-13	8115-A	STITCH ROTATING HAND LEVER WITH SET SCREW
P5-14	5176-C	STITCH ROTATING HAND LEVER SET SCREW
P5-15	8118	STITCH ROTATING HAND LEVER HANDLE
P5-16	8116	STITCH ROTATING HAND LEVER HANDLE SLEEVE
P5-17	5070	STITCH ROTATING HAND LEVER HANDLE SLEEVE WASHER
P5-18	8141	STITCH ROTATING HAND LEVER HANDLE SLEEVE SCREW
P5-19	8119	STARTING TRIP LEVER
P5-20	8045	STARTING TRIP LEVER HINGE SCREW
P5-21	8120	STARTING TRIP LEVER BLOCK
P5-22	8121	STARTING TRIP LEVER BLOCK SCREW STUD
P5-23	8125	TENSION BRACKET
P5-24	8143	TENSION BRACKET SCREW
P5-25	8131	TENSION REGULATING LEVER
P5-26	8132-A	TENSION REGULATING LEVER HINGE SCREW
P5-27	4140-A	TENSION REGULATING LEVER HINGE SCREW SPRING WASHER
P5-28	8127	TENSION REGULATING PLATE
P5-29	8128	TENSION REGULATING PLATE HINGE SCREW
P5-30	8129-A	TENSION REGULATING SPRING
P5-31	8130-A	TENSION REGULATING SPRING SCREW STUD
P5-32	8133-C	THREAD CONTROLLER SPRING
P5-33	121	THREAD CONTROLLER SPRING SCREW
P5-34	81	TENSION THUMB NUT
P5-35	5267-A	TENSION SPRING
P5-36	5190-A	TENSION DISC
P5-37	8164	TENSION STUD
P5-38	5207	TENSION STUD NUT
P5-39	8126	SPOOL SCREW STUD
P5-40	807	STITCH ROTATING HAND LEVER HANDLE SLEEVE (REF. NO.) 16 WITH 15.17 &18.
P5-41	808	STITCH ROTATING HAND LEVER (REF. NO.) 13 WITH 14.19.20.21.22&40
P5-42	809	STITCH ROTATING GEAR BRACKET COMPLETE (REF. NOS.) 1.2.3.4.7.8.9.10. TWO 11. TWO 12 &41)
P5-43	810	TENSION COMPLETE (REF. NOS.) 34.35. TWO 36. 37 &38)
P5-44	811	TENSION BRACKET COMPLETE (REF. NOS.) 23.25.26.27.28.29.30.31.32.33&43)

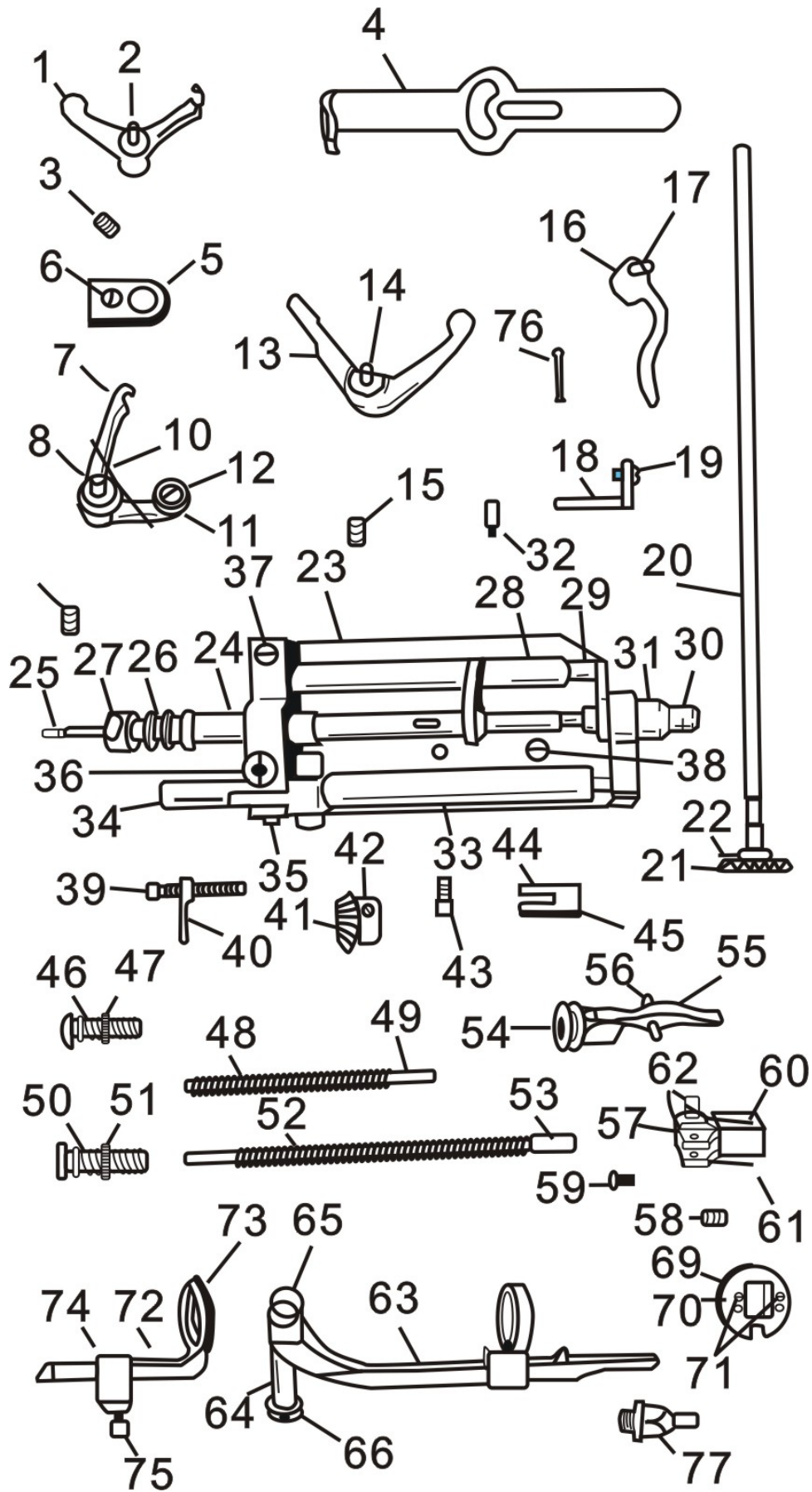
PARTS FOR 104-3T ONLY



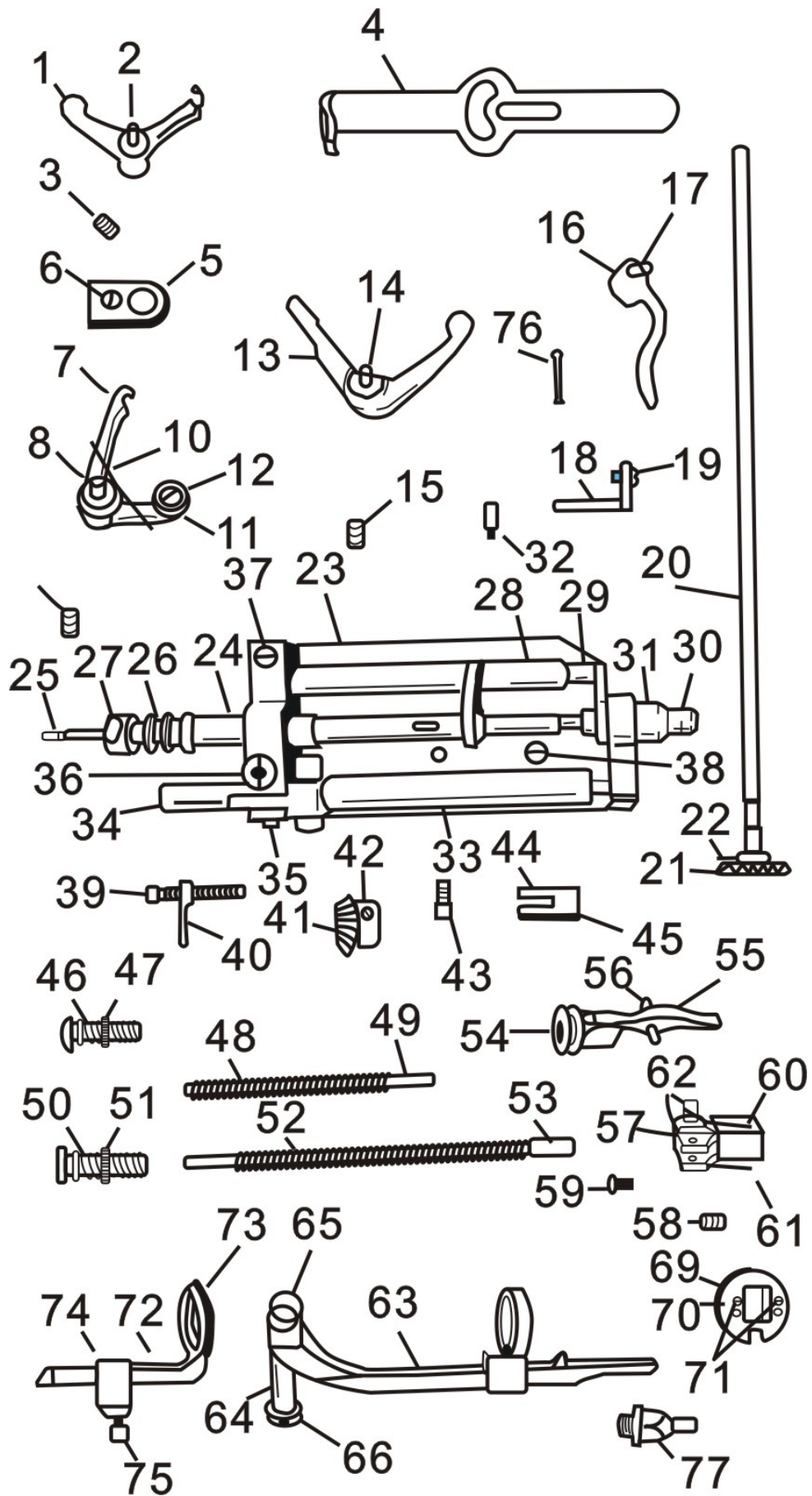
REF. NO.	PARTS NO.	DESCRIPTION
P6-1	8065	PRESSER FOOT SLIDE BAR SPRING
P6-2	8066	PRESSER FOOT SLIDE BAR SPRING PLUNGER
P6-3	8067	PRESSER FOOT SLIDE BAR THUMB SCREW (PRESSURE REGULATING)
P6-4	8161	PRESSER FOOT SLIDE BAR THUMB SCREW NUT
P6-5	8063	PRESSER FOOT SLIDE BAR GUIDE
P6-6	8138	PRESSER FOOT SLIDE BAR GUIDE SET SCREW
P6-7	8064	PRESSER FOOT SLIDE BAR SPRING STOP
P6-8	8139	PRESSER FOOT SLIDE BAR ADJUSTING SCREW
P6-9	8322	PRESSER FOOT SLIDE BAR
P6-10	8140	PRESSER FOOT SLIDE BAR SPRING STOP SCREW
P6-11	8060-A	PRESSER FOOT LIFTER
P6-12	8061	PRESSER FOOT LIFTER HINGE SCREW
P6-13	8069-A	PRESSER FOOT LEVER SWIVEL
P6-14	5227	PRESSER FOOT LEVER SWIVEL STOP SCREW
P6-15	8070	PRESSER FOOT LEVER SWIVEL HINGE SCREW
P6-16	8323	PRESSER FOOT LEVER
P6-17	8324	PRESSER FOOT
P6-18	8072	PRESSER FOOT CLAMP
P6-19	8025	PRESSER FOOT CLAMP THUMB SCREW
P6-20	8073-A	PRESSER FOOT SHOE (RUBBER)
P6-21	8054	NIPPLE CARRIER THUMB SCREW
P6-22	8160	NIPPLE CARRIER THUMB SCREW NUT
P6-23	8317	NIPPLE CARRIER
P6-24	8051	NIPPLE CARRIER LIFTING SCREW STUD
P6-25	8052	NIPPLE CARRIER SPRING
P6-26	8053	NIPPLE CARRIER EXTENSION
P6-27	8318	NIPPLE CARRIER GUIDE
P6-28	8182	NIPPLE CARRIER GUIDE SCREW
P6-29	8319	NIPPLE CARRIER SLEEVE WITH SET SCREWS
P6-30	8320	NIPPLE CLAMPING BLOCK
P6-31	8339	NIPPLE CLAMPING BLOCK SCREW
P6-32	8321	NIPPLE
P6-33	8335	NIPPLE SCREW



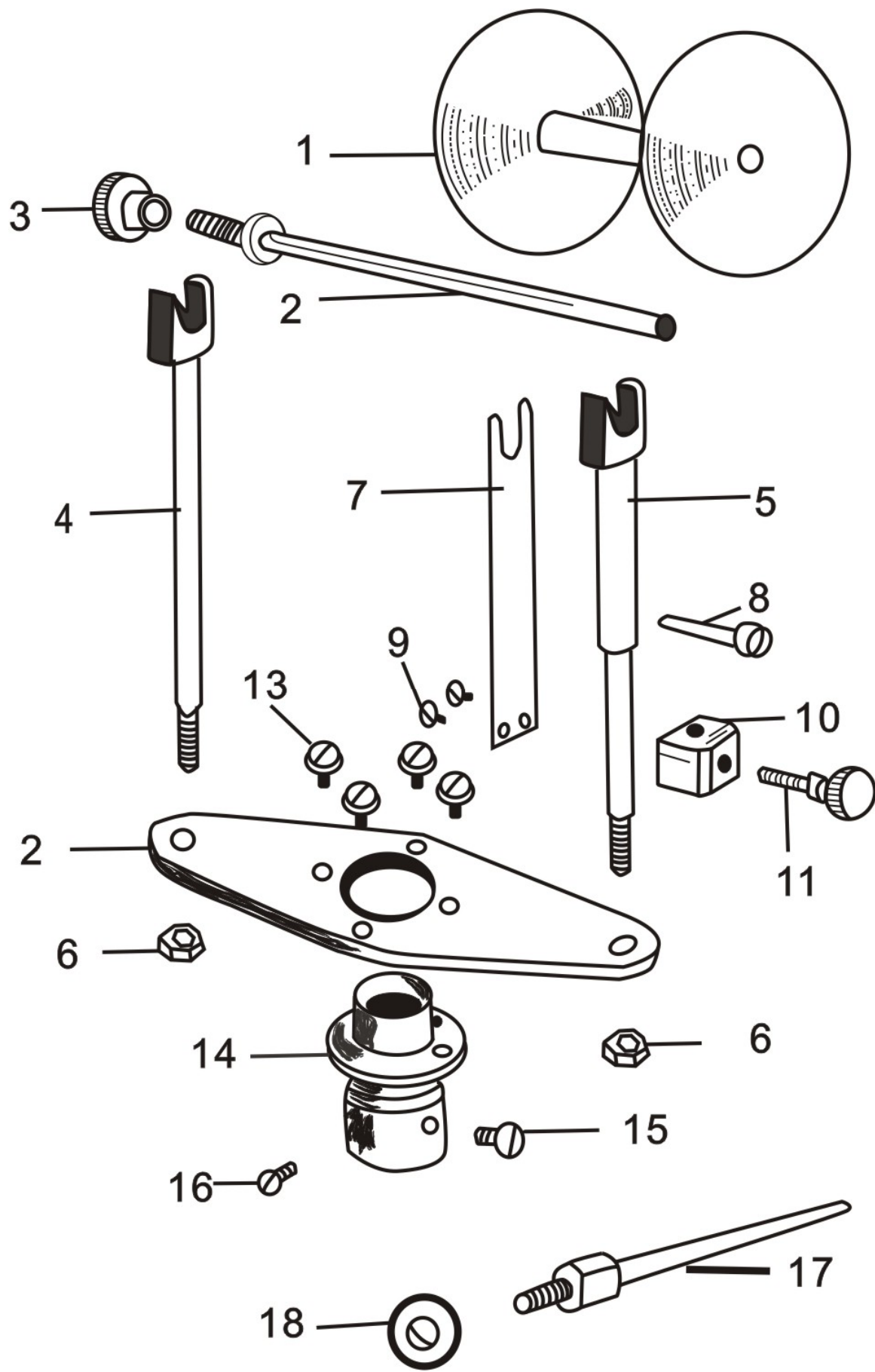
REF. NO.	PARTS NO.	DESCRIPTION
P7-1	8303	NEEDLE HOLDER
P7-2	8027	NEEDLE
P7-3	8309	ARM HEAD SLEEVE
P7-4	8305	NEEDLE HOLDER OPERATING COLLAR
P7-5	8306	NEEDLE HOLDER GUIDE BLOCK
P7-6	8307	NEEDLE HOLDER THUMB SCREW
P7-7	8333	NEEDLE HOLDER GUIDE BLOCK SCREW
P7-8	8308	ARM HEAD SLEEVE CAP
P7-9	5176-A	ARM HEAD SLEEVE CAP SCREW
P7-10	8047	FEED REGULATING SCREW
P7-11	8048	FEED REGULATING SCREW LOCK LEVER NUT
P7-12	8304	NEEDLE HOLDER OPERATING SLIDE
P7-13	8301	ARM HEAD
P7-14	8020	ARM HEAD SCREW (UPPER) (LONG)
P7-15	8021	ARM HEAD SCREW UPPER (SHORT)
P7-16	8022	ARM HEAD SCREW (LOWER)
P7-17	8150	ARM HEAD POSITION PIN
P7-18	8145	ARM HEAD POSITION PIN
P7-19	8302	NIPPLE CARRIER SLEEVE BUSHING
P7-20	8030	ARM HEAD SLEEVE GEAR WITH SET SCREW
P7-21	129-B	ARM HEAD SLEEVE GAER SET SCREW
P7-22	8312	FEED LEVER
P7-23	8314	FEED LEVER HINGE SCREW STUD
P7-24	8315	FEED LEVER BRACKET GUIDE
P7-25	8316	FEED LEVER BRACKET GUIDE CAP
P7-26	8136	FEED LEVER BRACKET GUIDE CAP SCREW
P7-27	8313	FEED LEVER BRACKET
P7-28	8335	FEED LEVER BRACKET SET SCREW
P7-29	8036	FEED RECOVERING SPRING (LEFT)
P7-30	8037	FEED RECOVERING SPRING (RIGHT)
P7-31	8038	FEED RECOVERING SPRING SCREW
P7-32	124	FEED LEVER BRACKET SET SCREW
P7-33	8311	FEED SLIDE BLOCK
P7-34	8310-A	FEED SLIDE BAR



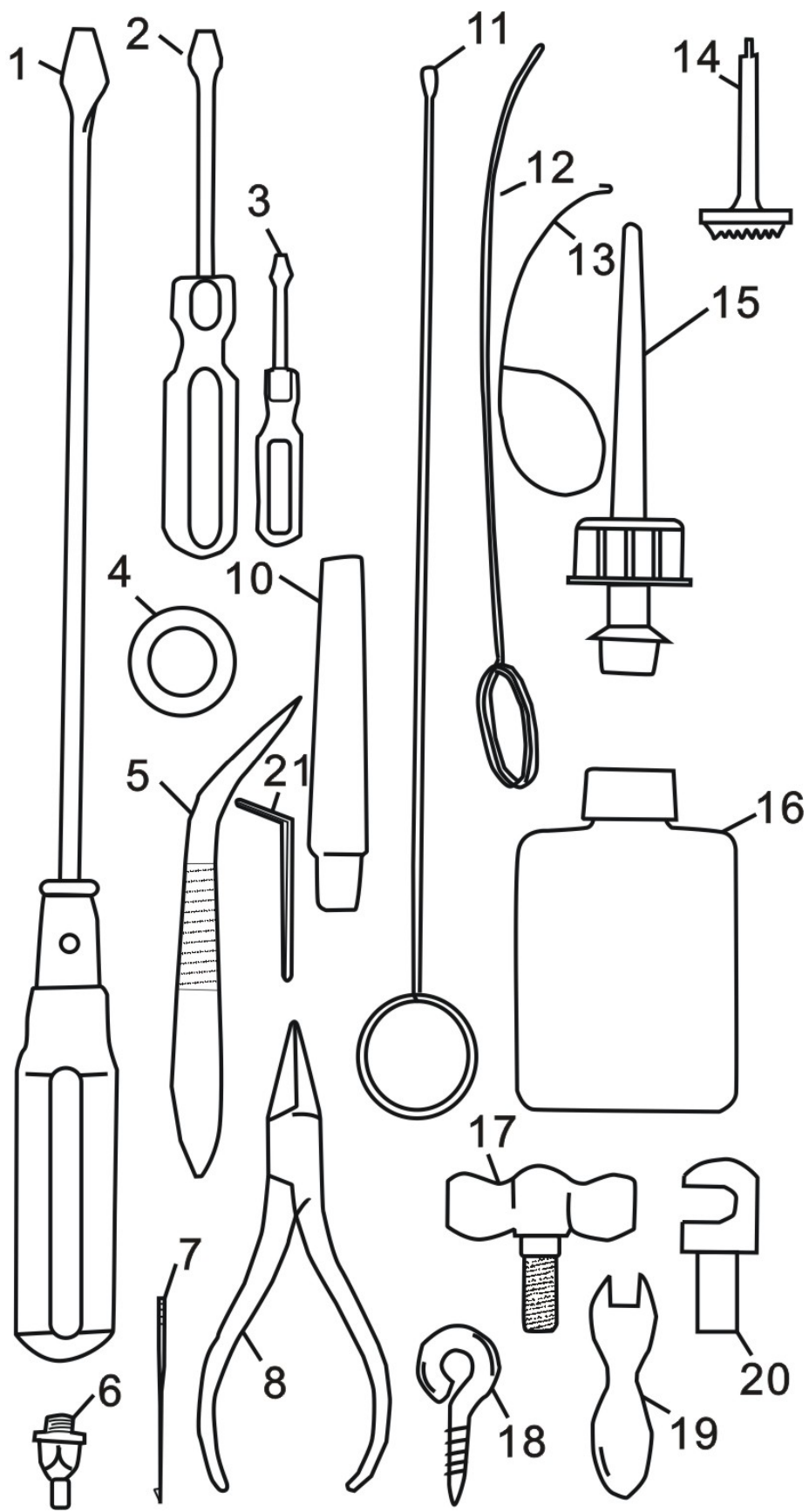
REF. NO.	PARTS NO.	DESCRIPTION
P8-1	8057	NIPPLE CARRIER BELL CRANK
P8-2	8058	NIPPLE CARRIER BELL CRANK HINGE STUD
P8-3	5225-C	NIPPLE CARRIER BELL CRANK HINGE STUD SET SCREW
P8-4	8023	NEEDLE OPERATING SLIDE
P8-5	8028	ARM HEAD SLEEVE CAP
P8-6	5176-A	ARM HEAD SLEEVE CAP SCREW
P8-7	8042	FEED BELL CRANK
P8-8	8043	FEED BELL CRANK HINGE STUD
P8-9	5225-C	FEED BELL CRANK HINGE STUD SET SCREW
P8-10	8046	FEED BELL CRANK SPRING
P8-11	8044	FEED BELL CRANK ROLLER
P8-12	8045	FEED BELL CRANK ROLLER SCREW
P8-13	8059	PRESSER FOOT SLIDE BELL CRANK
P8-14	8058	PRESSER FOOT SLIDE BELL CRANK HINGE STUD
P8-15	8225-C	PRESSER FOOT SLIDE BELL CRANK HINGE STUD SET SCREW
P8-16	8060-A	PRESSER FOOT LIFTER
P8-17	8061	PRESSER FOOT LIFTER HINGE SCREW
P8-18	8055	NIPPLE CARRIER GUIDE
P8-19	8182	NIPPLE CARRIER GUIDE SCREW
P8-20	8108	FEED ROTATING SHAFT
P8-21	8109	FEED ROTATING SHAFT GEAR
P8-22	8147	FEED ROTATING SHAFT GEAR POSITION PIN
P8-23	8019	ARM HEAD
P8-24	8029-A	ARM HEAD SLEEVE
P8-25	8026-B	NEEDLE HOLDER
P8-26	8024	NEEDLE HOLDER CLAMPING SLEEVE
P8-27	8025	NEEDLE HOLDER CLAMPING SLEEVE THUMB SCREW
P8-28	8031	FEED SLIDE BAR
P8-29	8049	NIPPLE CARRIER
P8-30	8050	NIPPLE CARRIER SLEEVE
P8-31	8151	NIPPLE CARRIER SLEEVE BUSHING
P8-32	8051	NIPPLE CARRIER LIFTING SCREW STUD
P8-33	8062	PRESSER FOOT SLIDE BAR
P8-34	8063	PRESSER FOOT SLIDE BAR GUIDE
P8-35	8139	PRESSER FOOT SLIDE BAR ADJUSTING SCREW
P8-36	8020	ARM HEAD SCREW (UPPER) (LONG)
P8-37	8021	ARM HEAD SCREW (UPPER) (SHORT)
P8-38	8022	ARM HEAD SCREW (LOWER)
P8-39	8047	FEED REGULATING SCREW
P8-40	8048	FEED REGULATING SCREW LOCK LEVER NUT



REF. NO.	PARTS NO.	DESCRIPTION
P8-41	8030	ARM HEAD SLEEVE GEAR WITH SET SCREW
P8-42	129-B	ARM HEAD SLEEVE GEAR SET SCREW
P8-43	8138	PRESSER FOOT SLIDE BAR GUIDE SET SCREW
P8-44	8064	PRESSER FOOT SLIDE BAR SPRING STOP
P8-45	8140	PRESSER FOOT SLIDE BAR SPRING STOP SCREW
P8-46	8054	NIPPLE CARRIER THUMB SCREW
P8-47	8160	NIPPLE CARRIER THUMB SCREW NUT
P8-48	8052	NIPPLE CARRIER SPRING
P8-49	8053	NIPPLE CARRIER EXTENSION
P8-50	8067	PRESSER FOOT SLIDE BAR THUMB SCREW
P8-51	8161	PRESSER FOOT SLIDE BAR THUMB SCREW NUT
P8-52	8065	PRESSER FOOT SLIDE BAR SPRING
P8-53	8066	PRESSER FOOT SLIDE BAR SPRING PLUNGER
P8-54	8033	FEED SLIDE BLOCK (FOR 104-1T)
	8033-A	FEED SLIDE BLOCK (FOR 104-2T)
P8-55	8034-A	FEED LEVER
P8-56	8144	FEED LEVER HINGE PIN
P8-57	8035	FEED LEVER BRACKET
P8-58	129-B	FEED LEVER BRACKET SET SCREW
P8-59	124	FEED LEVER BRACKET SET SCREW
P8-60	8036	FEED RECOVERING SPRING (LEFT)
P8-61	8037	FEED RECOVERING SPRING (RIGHT)
P8-62	8038	FEED RECOVERING SPRING SCREW
P8-63	8068	PRESSER FOOT LEVER WITH FEED LEVER BRACKET GUIDE BEARING AND PIN
P8-64	8069-A	PRESSER FOOT LEVER SWIVEL
P8-65	8070-A	PRESSER FOOT LEVER SWIVEL HINGE SCREW
P8-66	8188	PRESSER FOOT LEVER SWIVEL STOP SCREW
P8-69	8039	FEED LEVER BRACKET GUIDE
P8-70	8040	FEED LEVER BRACKET GUIDE CAP
P8-71	8136	FEED LEVER BRACKET GUIDE CAP SCREW
P8-72	8071-A	PRESSER FOOT
P8-73	8073-A	PRESSER FOOT SHOE (RUBBER)
P8-74	8072	PRESSER FOOT CLAMP
P8-75	8025	PRESSER FOOT CLAMP THUMB SCREW
P8-76	8145	ARM HEAD POSITION PIN
P8-77	8056	NIPPLE



REF. NO.	PARTS NO.	DESCRIPTION
P9-1	8336	CORD SPOOL
P9-2	8331	CORD SPOOL SPINDLE
P9-3		CORD SPOOL SPINDLE THUMB NUT
P9-4		CORD SPOOL SUPPORT
P9-5		CORD SPOOL SUPPORT
P9-6		NUT
P9-7	8329	CORD SPOOL FRICTION SPRING
P9-8		ADJUSTING SCRW
P9-9	8140	CORD SPOOL FRICTION SPRING SCRW
P9-10		
P9-11		SCREW
P9-12		CORD SPOOL SPINDLE BASE
P9-13		SCREW
P9-14		CORD SPOOL BRACKET SLEEVE WITH SCREW
P9-15		SCREW
P9-16		SCREW
P9-17		
P9-18		



REF. NO.	PARTS NO.	DESCRIPTION
P10-1	AC01	SCREW DRIVER
P10-2	AC02	SCREW DRIVER
P10-3	AC03	SCREW DRIVER
P10-4	8073-A	PRESSER FOOT SHOE (RUBBER)
※ P10-5	8170	TWEEZERS
※ P10-6-1	8056-1	NIPPLE
※ P10-6-2	8056-2	NIPPLE
※ P10-6-3	8056-3	NIPPLE
※ P10-6-4	8056-4	NIPPLE
P10-6-5	8056-5	NIPPLE
※ P10-6-6	8056-6	NIPPLE
P10-7	8027S	NEEDLE (253C)
P10-8	8171	PLIERS
※ P10-10	8169	MACHINE REST PIN (WOOD)
P10-11	8167	CLEANING WIRE
※ P10-12	8156-A	THREAD WIRE
P10-13	8156	THREAD WIRE
P10-14	8071-B-B	PRESSER FOOT (SPUR)
P10-15	AC-04A	OILER
P10-16	AC05	OIL
※ P10-17	8157	BED CLAMPING THUMB SCREW
※ P10-18	8166	SCREW EYE
P10-19	8155	NIPPLE WRENCH
P10-20	8165	MACHINE HINGE CONNECTION
P10-21	AC06	WRENCH (3m/m)

※ EXTRA ACCESSORIES

CONSEW[®] USA Since 1898

web: www.consew.com

Specifications subject to change without notice.

©2017 Consew USA