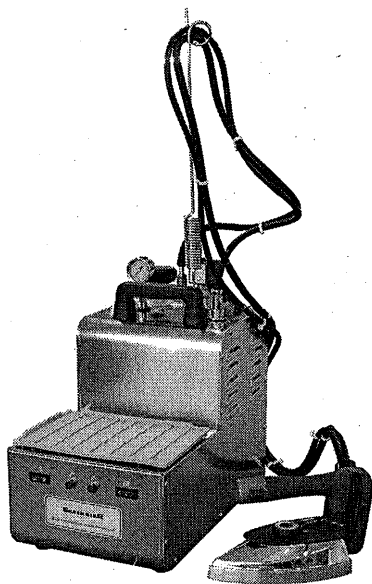


**SILVERSTAR®**



Steam Generator

# User's Manual

Model: SB-250 / 400

use the product correctly, please read this operation instruction carefully

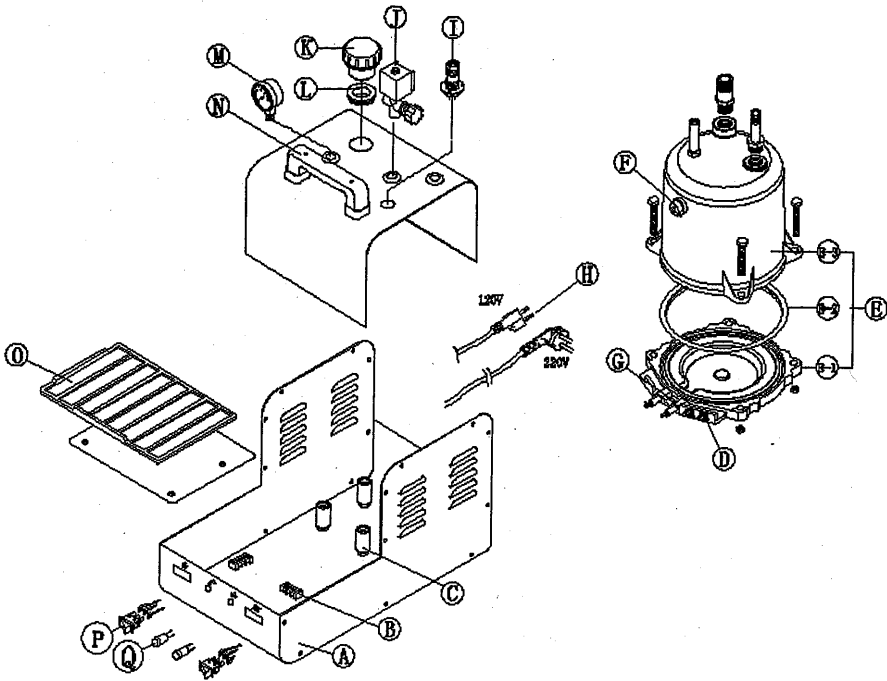
 EUNSUNG ELECTRIC CO., LTD.

## **IMPORTANT SAFETY INSTRUCTIONS**

**(Read All Instructions Before Using System)**

- This system uses up to 2300 Watts (depending on model) requiring a 20 Amp circuit. Do not operate another appliance on the same circuit.
- Use a grounded outlet.
- Do not use with extension cords.
- Always disconnect the system from electrical outlet when emptying the tank and when not in use.
- Do not disassemble the system. Contact an authorized service center for repair.
- Use caution when releasing steam from the system or attachment. Burns can occur from touching a hot sole plate, hot water or steam. Do not point steam at anyone.
- Do not touch the hot portion of the attachment (iron, steam brush steam pistol). The Silicone Resting Pad and Drain Valve may be very hot, as well.
- Do not allow children around the steam system while in use. Do not leave system unattended while it is connected.
- Unplug system when not in use or unattended.
- Never immerse the system in water.
- Do not use the system if the electric cord or steam hose is damaged or leaking.

# Breakdown drawing [SB-250/SB-400]



No.	PARTS NAME	No.	PARTS NAME
	STEEL CASE	H	POWER CORD [120V/220V]
	TERMINAL BLOCK	I	4P CONNECT NIPPLE
	PASTIC BRACKET	J	SOLENOID VALVE [120V/220V]
	THERMOSTAT	K	PRESSURE SAFETY VALVE
	PRESSURE TANK ASSY [120V/220V]	L	SILICONE O - RING (C)
1	HEATING PLATE [120V/220V]	M	PRESSURE METER
2	SILICONE O - RING [A]	N	HANDLE
3	HEATING PLATE COVER	O	SILICONE IRON REST
	PRESSURE CUTTING SWITCH	P	POWER SWITCH
	THERMAL FUSE	Q	LAMP (LED)

## **CARE AND MAINTENANCE**

- Use of distilled water is recommended.
- Periodically rinse out the water tank to remove any lime/scale buildup.
- The system may be wiped down with a moist cloth. Do not use chemical cleaners as they may cause damage.
- Do not clean any part of the system by plunging into water.
- In the bottom of the Water Tank Cap, there is a white gasket that will need replacing periodically. If the cap starts to leak, replace this gasket. Do not continually over-tighten the cap to stop the leak.

## **SAFETY FEATURES OF STEAM GENERATOR**

1. Automatic pressure switch prevents overpressure.
2. Bimetal disk thermostat prevents overheating.
3. Thermal fuse disconnects electricity if the thermostat fails.
4. The Water Tank Cap also serves as a safety valve that exhausts steam from the generator automatically in case any of the other safeguards fail.
5. The user can't be change pressure switch, if found any problem ,  
pl replace pressure switch and must be from professional person.

## OPERATING INSTRUCTIONS

Place the system on a sturdy, level surface next to your working area. Be wary of other people or pets walking around the system and knocking it over.

**Filling the Water Tank** - You may fill the tank with tap water. If you have hard water, use of distilled water is recommended, or you may mix half tap water and half distilled water.

- Be sure the system is unplugged.
- Be sure the Drain is closed.
- Remove the Water Tank Cap by slowly turning counter-clockwise.
- Fill tank using Funnel and Cup. Fill up to 3.5 liters.
- Insert the scaled water level tube provided into the Steam Generator's water tank opening. The tube should touch the bottom of the tank. Plug the top of the tube with your finger as you remove the tube from the tank. The amount of water pulled into the tube will indicate the quantity of water in the tank. The level should be below 3.5 liter.

*Note:* If the tank is overfilled, the system will spew water instead of steam. Remove excess water from the tank by opening the Drain or using the tube/finger method above.

- Replace the Water Tank Cap, do not over-tighten.
- Make sure the two ON/OFF switches on the front panel are in the OFF position. Plug the electric cord into a grounded outlet.
- Install the Hanger Rod into one of the holes in the top handle. Push until it is firmly seated in the hole. Hook the Steam Hose and Power Cord into the loop of the rod.
- Be sure the steam hose is connected securely at both ends.

*Caution:* Once the system is turned on, do not open the Water Tank Cap while the system has pressure in it. Steam and hot water will scald.

## Using the Iron

1. Press both switches on the generator to the ON position.
2. Switch the iron ON and adjust the knob on the Iron's temperature dial to the desired setting.
3. Steam is ready when the gauge climbs to around 2 - 4 bar. This should take approximately 10 - 20 minutes depending on how much water you put in the tank.
4. Test steam readiness by pressing the Thumb Switch on the Iron with steam shooting away from the garment to prevent condensation/water in the hose from dripping on the garment.
5. Rest the Iron flat on the Resting Pad. (Do not stand iron on end.)

### *Upright Steam Ironing:*

- Useful for getting wrinkles out of hanging suits, dresses and curtains
- Set the temperature setting dial to maximum heat.
- Stretching the material slightly until it cools will help get the wrinkles out.
- Warning: Do not steam clothes on the body or point steam at anyone.

### *Ironing Without Steam:*

For dry ironing, leave the on/off switch for the Steam Generator OFF, and only turn on the Iron switches. Set the Iron temperature to the desired fabric setting.

Iron Temperature Dial Settings (table)

Fabric Type	Temp.
Acrylic, Acetate, Nylon, Polyester	Hot
Rayon, Silk, Satin	I
Wool	V
Cotton, Linen	Hottest

\*Note: At lower temperature settings, do not use steam button. Water may escape when temperature setting is low; just increase temperature.

## Filling or Adding Water During Use

It is recommended to turn off the system completely and wait for it to cool down before adding water.

If necessary to refill tank once the system has been in use for a while, use towel or steam protecting glove to unscrew the Water Tank Cap. Make sure the Pressure Gauge shows "0" before opening the cap.

Exercise caution while **slowly** unscrewing the Water Tank Cap to release any steam in the tank.

Add water carefully. Water may "pop" when added to a heated tank.

## Normal Use

Press both switches on the generator to the OFF position.

Unplug the system from the electrical outlet.

Wait until the system cools before storing it. Be cautious of others approaching the system while it is hot.

## DOUBLESHOOTING

Problem	Solution
System does not turn on.	Check/reset circuit breaker. This system requires a 20A outlet. Make sure other devices that share the electrical circuit are unplugged or turned off.
System gets water instead of steam.	System has not heated up yet. Make sure all switches have been turned on and wait for pressure gauge to show around 2 - 4 bar.  Iron temperature is too low. Increase temperature setting.  Tank is full of water. Carefully remove some water to allow space for steam in tank.
No steam output.	Water Tank is empty. Follow water filling instructions.

**HEAD OFFICE & FACTORY**

104-5, Shinpyong-Ri, Shinbuk-Myoun, Pochun-Kun, Kyoungki-Do, Korea

TEL: 82-31-531-8131~6 FAX: 82-31-531-8130