

CONSEW *Since 1898*®

CONSOLIDATED SEWING MACHINE CORP.

— INDUSTRIAL SEWING & CUTTING EQUIPMENT

PARTS LIST

C10NS

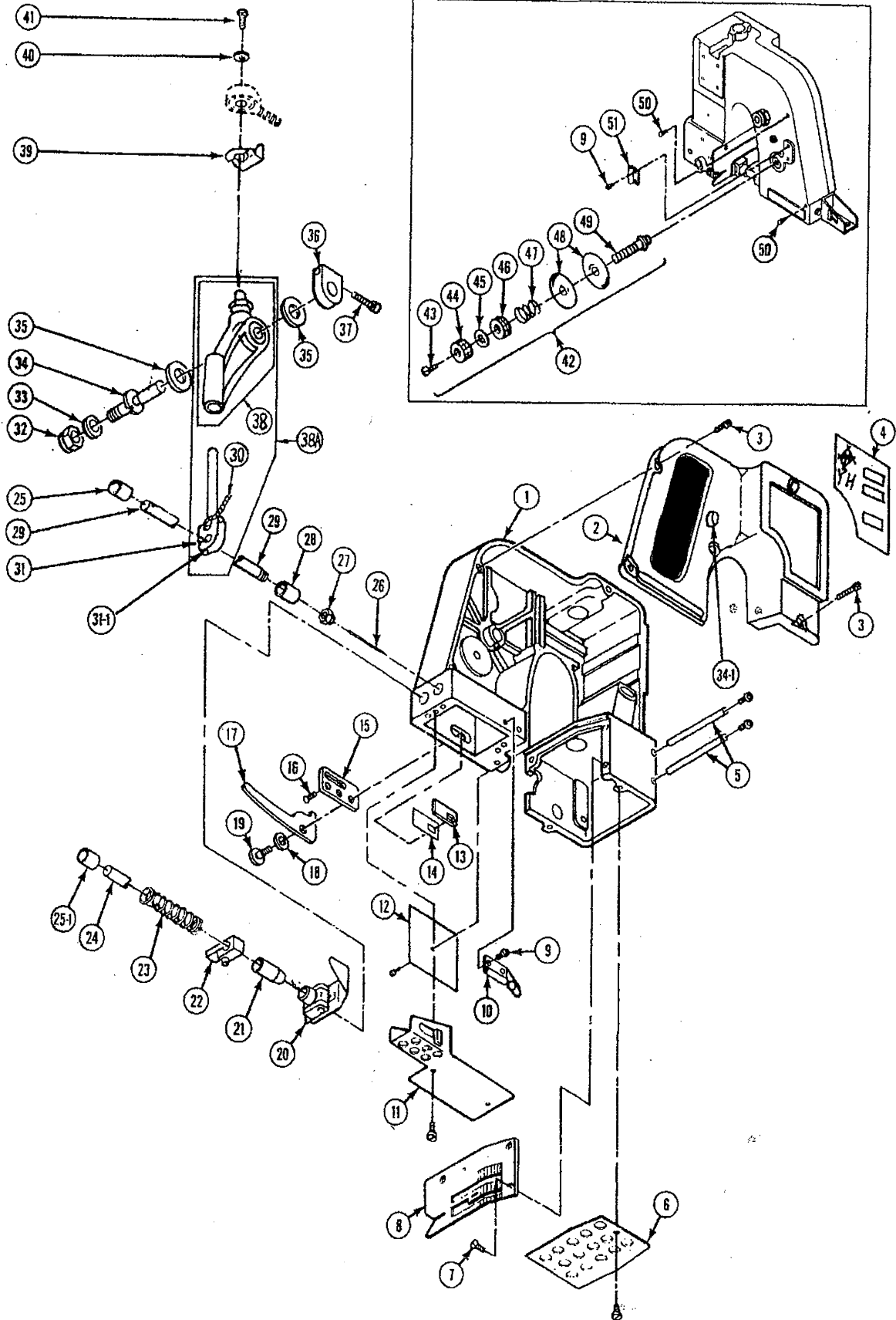
CONSEW *Since 1898*®

CONSOLIDATED SEWING MACHINE CORP.

— INDUSTRIAL SEWING & CUTTING EQUIPMENT

400 VETERANS BLVD, CARLSTADT, NJ 07072

PLATE A



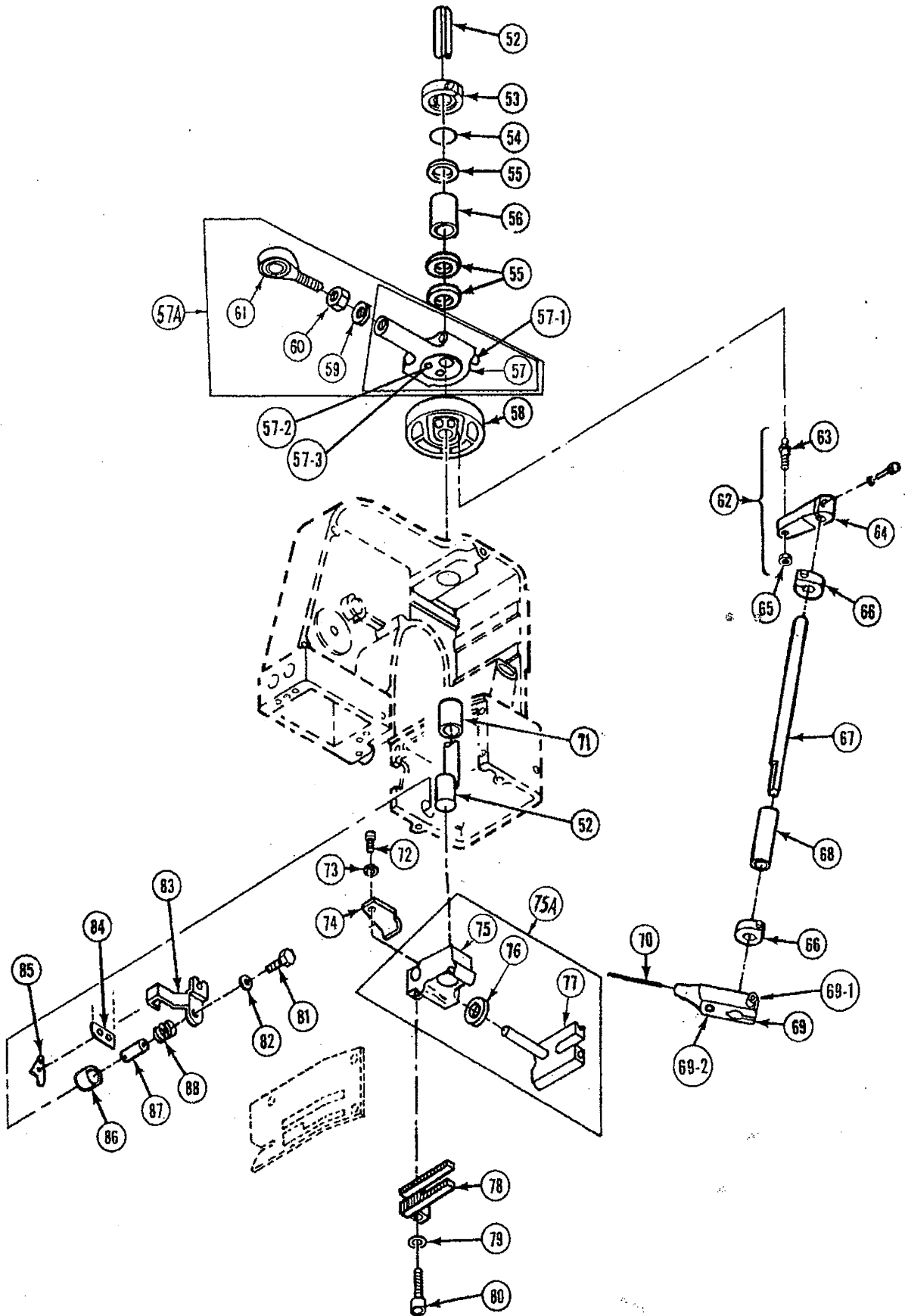
HOUSING, NEEDLE LEVER, PRESSER FOOT

ILLUSTRATED PARTS BREAKDOWN
ORDER BY NUMBER

PLATE A

ITEM	QUAN.	PART NO.	DESCRIPTION
1	1	3001201	ASSY., HOUSING & COVER W/BUSHINGS
1-1	8	3001201-1	SCREW, SOC. SET - #8-32 N.C. X 3/16 (SCREW FOR ALL BUSHINGS)
2	1	3001202	COVER, HOUSING - (PART OF ITEM #1)
3	6	3001203	SCREW, FILLISTER HD. - #8-32 N.C. X 5/8
4	1	3001204	NAMEPLATE
5	2	3001205	STUD, FEED DOG, CARRIER SLIDE
5-1	4	3001205-1	SCREW, SOC. BUTTON HD. - #10-32 N.F. X 1/4
6	1	3001206	COVER, LOOPER
6-1	1	3001206-1	STUD, LOOPER COVER
7	3	3001207	SCREW, FLATHD. - #6/40 N.F. X 3/8
8	1	3001208	PLATE, THROAT - STANDARD
8-1	1	3001208-1	PLATE, THROAT - TAPING
9	4	3001209	SCREW, BINDING HD. - #6/32 N.C. X 3/16
10	1	3001210	TUBE, THREAD GUIDE (FRONT)
11	1	3001211	GUARD, NEEDLE BAR
11-1	3	3001211-1	SCREW, BINDING HD. - #8-32 N.C. X 1/4
12	1	3001212	PLATE, COVER
12-1	1	3001212-1	SCREW, BINDING HD. - #10-32 N.F. X 1/4
13	1	3001213	COVER, SLIDE PAD
14	1	3001214	PAD, SLIDE
15	1	3001215	PLATE, LEVER
16	2	3001216	SCREW, FLATHEAD - #8-32 N.C. X 3/16
17	1	3001217	LEVER, LIFTER - PRESSER FOOT
18	1	3001218	WASHER, SPRING
19	1	3001219	SCREW, PIVOT
20	1	3001220A	ASSY., PRESSER FOOT
20-1	1	3001220A-1	PRESSER FOOT, TAPING & PLASTIC
20-2	1	3001220A-2	BOLT, HINGING
20-3	1	3001220A-3	NUT
20-4	2	3001220A-4	SCREW, SOC. SET - #8-32 N.C. X 3/16 (FLAT POINT)
21	1	3001221	BUSHING, LOWER
22	1	3001222	LIFTER, PRESSER FOOT
22-1	1	3001222-1	SCREW, SOCKETCAP - #6-40 N.F. X 1/2
23	1	3001223	SPRING, PRESSER BAR
24	1	3001224	PRESSER BAR
25	2	3001225	BUSHING, NEEDLE BAR & - UPPER
26	1	3001226	NEEDLE
27	1	3001227	NUT, NEEDLE BAR
28	1	3001228	BUSHING, NEEDLE BAR - LOWER
29	1	3001229	NEEDLE BAR
30	1	3001230	WICKING
31	1	3001231	ASSY., CLAMP - NEEDLE BAR
32	1	3001232	NUT, LOCK (NYLOK SPECIAL) - 3/8 - 24 N.C.
33	1	3001233	WASHER, FLAT
34	1	3001234	PIN, PIVOT
35	2	3001235	WASHER, THRUST - NEEDLE LEVER
36	1	3001236	CLAMP, PIVOT - NEEDLE
37	1	3001237	SCREW, SOC. CAP - #6-40 N.F. X 5/8
38A	1	3001238A	ASSY., NEEDLE BAR LEVER WITH CLAMP
38	1	3001238	ASSY., CLAMP - NEEDLE BAR LEVER
39	1	3001239	SPRING
40	1	3001240	WASHER, FLAT - #10
41	1	3001241	SCREW, HEX HD. - #10-32 N.F. X 1/2
42	1	3001242	ASSY., TENSION - COMPLETE
43	1	3001207	SCREW, FLATHD. - #6-40 N.F. X 3/8 (PART OF ITEM #42)
44	1	3001244	NUT, TENSION - UPPER (PART OF ITEM #42)
45	1	3001245	WASHER, LOCK - TENSION (PART OF ITEM #42)
46	1	3001246	NUT, TENSION - LOWER (PART OF ITEM #42)
47	1	3001247	SPRING, TENSION (PART OF ITEM #42)
48	2	3001248	DISC, TENSION (PART OF ITEM #42)
49	1	3001249	STUD, TENSION (PART OF ITEM #42)
50	2	3001250	EYELET, THREAD PULLOFF
51	1	3001251	TUBE, THREAD GUIDE - REAR

PLATE B

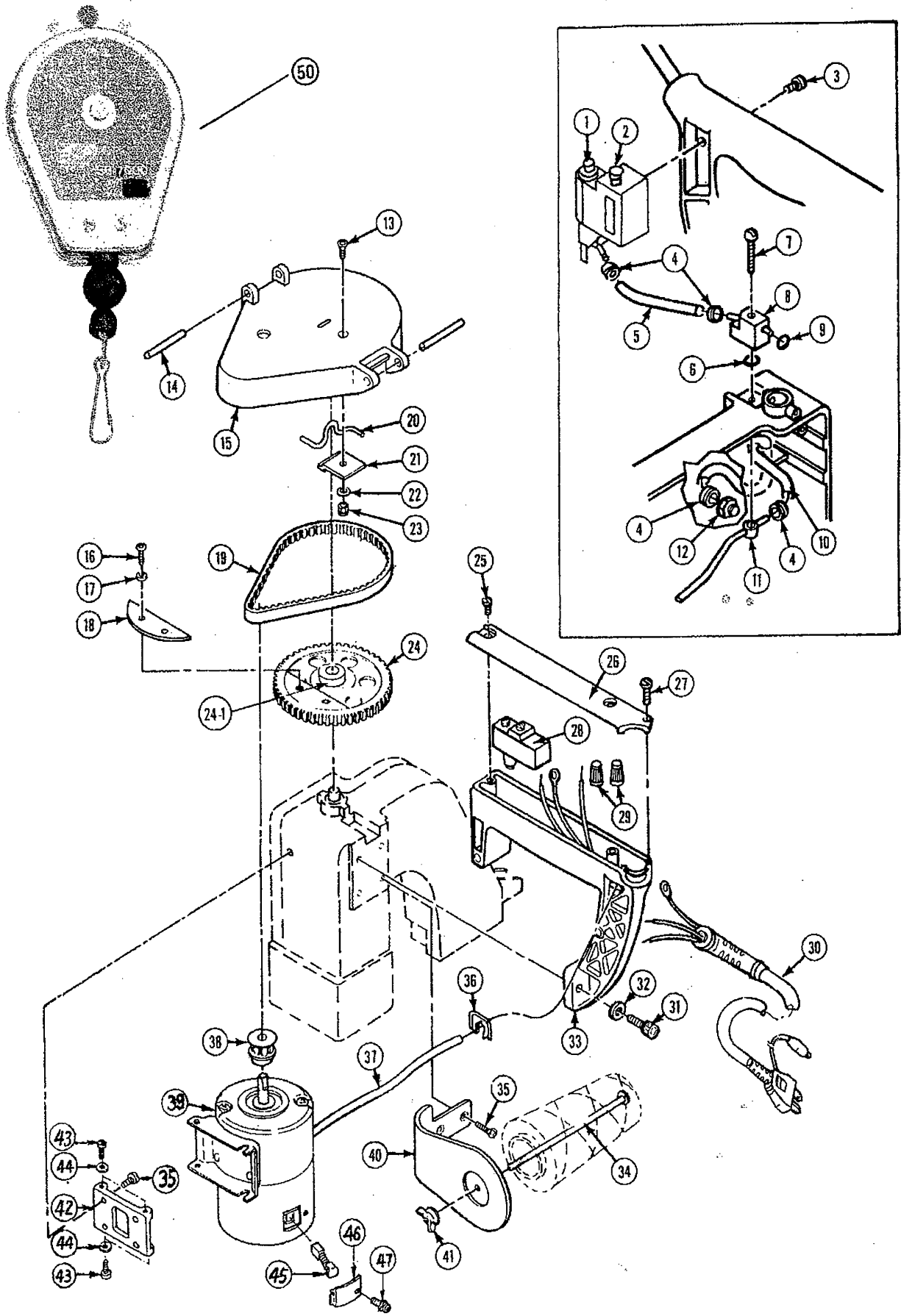


MAIN SHAFT & LOOPER ASSEMBLY

ILLUSTRATED PARTS BREAKDOWN
ORDER BY NUMBER

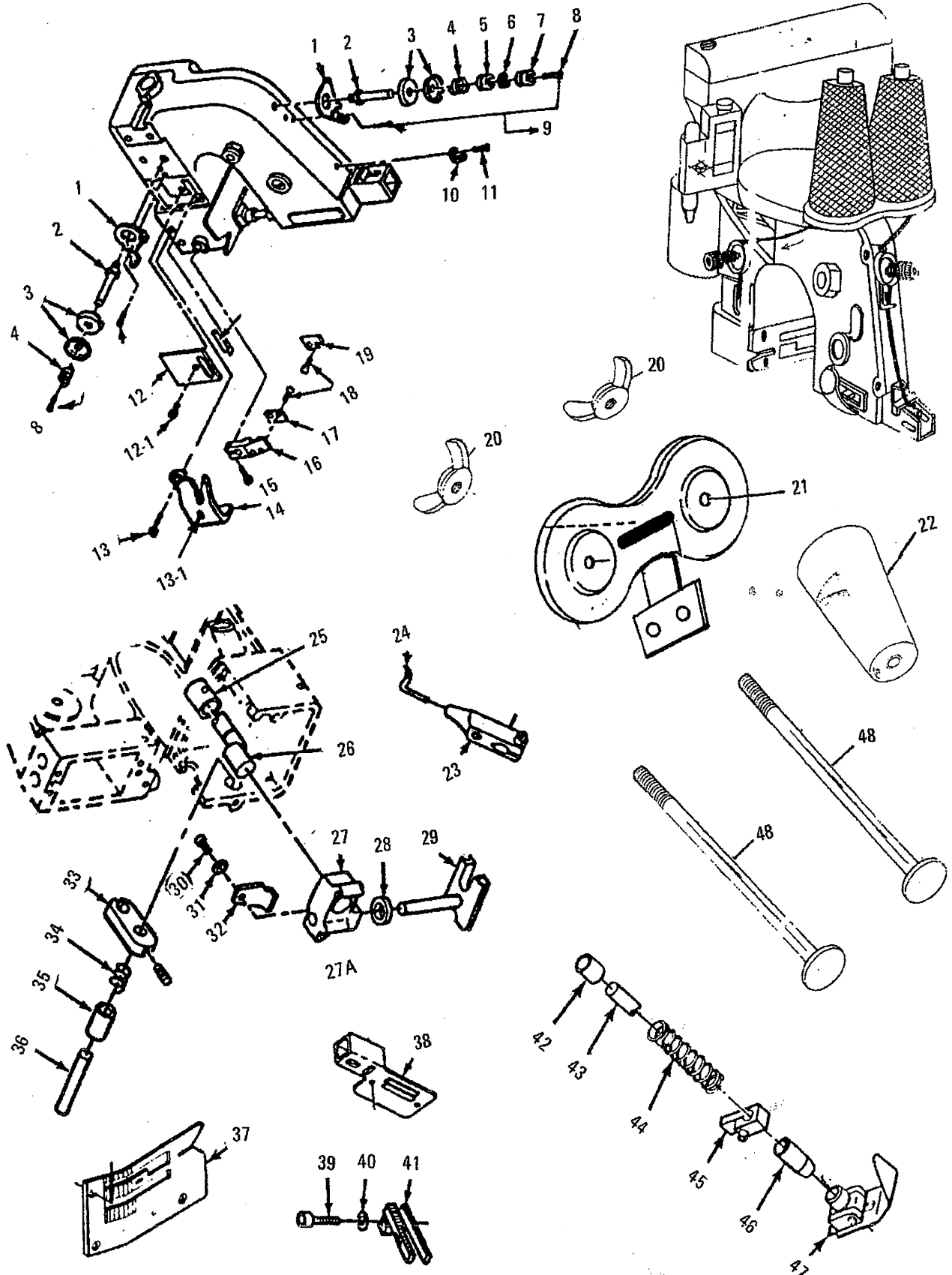
PLATE B

ITEM	QUAN.	PART NO.	DESCRIPTION
52	1	3001452	MAIN SHAFT
53	1	3001453	COLLAR, MAIN SHAFT
53-1	1	3001453-1	SCREW, SOC. CAP - #5/40 N.C. X 3/8
54	1	3001454	RING, "O"
55	3	3001455	WASHER, THRUST
56	1	1331456	BUSHING, MAIN SHAFT - REAR
57A	1	3001457A	ASSY. CON ROD & ECCENTRIC WITH BEARING RDD END.
57	1	3001457	ASSY. CON ROD & ECCENTRIC
58	1	3001458	ASSY., CAM - LOOPER
58-1	1	3001458-1	SCREW, SOC. SET - #10-32 N.F. X 5/8 (CONE POINT)
58-2	1	3001458-2	SCREW, SOC. SET - #10-32 N.F. X 1/2
59	1	3001459	WASHER, INTERNAL TOOTH - 5/16
60	1	3001460	NUT, HEX - SPECIAL
61	1	3001461	BEARING, ROD END
62	1	3001462	ASSY., ARM & STUD - CAM FOLLOWER
63	1	3001463	STUD, CAM FOLLOWER
64	1	3001464	ARM, FOLLOWER - CAM
64-1	1	3001464-1	SCREW, SOC. CAP - #5-40 N.C. X 5/8
64-2	1	3001464-2	WASHER, FLAT - #5 (SPECIAL)
65	1	3001465	NUT, HEX - SPECIAL
66	2	3001466	COLLAR, LOOPER SHAFT
66-1	2	3001466-1	SCREW, SOC. CAP - #5-40 N.C. X 1/2
67	1	3001467	SHAFT, LOOPER
68	2	3001468	BUSHING, LOOPER SHAFT
69	1	3001469	HOLDER, LOOPER
69-1	1	3001469-1	SCREW, SOC. SET - #8-32 N.C. X 3/16 (FLAT POINT)
69-2	1	3001469-2	SCREW, SOC. CAP - #5-40 N.C. X 1/4
70	1	3001470	LOOPER
71	1	3001471	BUSHING, MAIN SHAFT - FRONT
72	1	3001472	SCREW, HEX H.D. - #8-32 N.C. X 5/16
73	1	3001473	WASHER, INTERNAL TOOTH - #8
74	1	3001474	CLIP, ANGLE
75A	1	3001475A	ASSY. CARRIER BLOCK WITH SLIDE
75	1	3001475	CARRIER BLOCK, FEED DOG
75-1	4	3001475-1	SCREW, SOC. SET - #6-40 N.F. X 3/8 (FLAT POINT)
76	1	3001476	WASHER, FELT
77	1	3001477	SLIDE
78	1	3001478	FEED DOG
78-1	1	3001478-1	FEED DOG, SPECIAL (LINEN MACHINE ONLY)
79	1	3001479	WASHER, FLAT - #8-SPECIAL
80	1	3001480	SCREW, SOC. CAP - #8-32 N.C. X 1
81	1	3001481	SCREW, HEX HD. - #10-32 N.F. X 3/8
82	1	3001482	WASHER, LOCK - #10
83	1	3001483	BRACKET, KNIFE
84	1	3001484	KNIFE, STATIONARY
84-1	2	3001484-1	SCREW, FLAT HD. - #3-48 N.C. X 3/16
85	1	3001485	KNIFE, MOVING
85-1	2	3001485-1	SCREW, FLAT HD. - #3-48 N.C. X 3/16
86	1	3001486	BUSHING, KNIFE SHAFT
87	1	3001487	SHAFT, KNIFE
88	1	3001488	SPRING, KNIFE - TENSION



HANDLE & ELECTRIC DRIVE

ITEM	QUAN.	PART NO.	DESCRIPTION
1	1	3001601	ASSY, PUMP - OIL
2	1	3001602	CAP. OIL RESERVOIR
3	1	3001603	SCREW, BINDING HD. - #8-32 N.C. X 1/2
4	4	3001604	SPRING, GARTER
5	1	3001605	TUBING, OIL PUMP - PLASTIC
6	1	3001606	RING, "O"
7	1	3001607	SCREW BINDING HD. - #8-32 N.C. X 1 1/4
8	1	3001608	MANIFOLD, OUTSIDE
9	1	3001609	RING, "O"
10	1	3001610	TUBING, PLASTIC
11	1	3001611	WELDMENT, MANIFOLD - INSIDE
12	1	3001612	FITTING, BARBED
13	1	3001216	SCREW, FLAT HD. - #8-32 N.C. X 5/16
14	2	3001614	PIN, SPRING - 1/4 DIA. X 1 1/2
15	1	3001615	GUARD, BELT
16	2	3001616	SCREW, SOC. BUTTON HD. - #8-32 N.C. X 3/8
17	2	3001617	WASHER, SPRING - #8
18	1	3001618	COUNTERWEIGHT
19	1	3001619	BELT
20	1	3001620	HANGER
21	1	3001621	CLIP, HANGER
22	1	3001473	WASHER, INTERNAL TOOTH - #8
23	1	3001623	NUT, HEX - #8-32 N.C.
24	1	3001624	PULLEY 24-1 3001424-1 #10-32N X 3/8 SCREW
25	2	3001625	SCREW, ROUND HD. - #10-32 N.F. X 3/8
26	1	3001626	COVER, HANDLE
27	1	3001627	SCREW, FILLISTER HD. - #4-40 N.C. X 3/4
28	1	3001628	SWITCH
29	2	3001629	WIRE NUT
30	1	3001630	CORD, SET
30-1	1	3001630-1	CORD, SET - 12V (10 FT.)
31	2	3001631	SCREW, SOC. CAP - 1/4-20 N.C. X 3/4
32	2	3001632	WASHER, SPRING - 1/4
33	1	3001633	HANDLE
34	1	3001634	BOLT, THREAD - CLAMPING
35	10	3001635	SCREW, SOC. FLAT HD. - #10-32 N.F. X 3/8
36	1	3001636	STRAIN RELIEF
37	1	3001637	MOTOR LEAD - 3 WIRE SJO
38	1	3001638	PULLEY MOTOR
39	1	3001639	MOTOR, 110V
39-1	1	3001639-1	MOTOR, 220V
39-2	1	3001639-2	MOTOR, 12V 3001639-3 MOTOR 240V
40	1	3001640	STAND, THREAD 3001639-4 MOTOR 24V
41	1	3001641	NUT, WING - 1/4-20 N.C.
42	1	3001642	ASSY, HINGE MOTOR MOUNT
43	4	3001643	SCREW, SEMS - PAN HD.
44	2	3001644	WASHER, FOR MOTOR
45	1	3001645	CARBON BRUSH FOR AC MOTOR (SIZE 6x8x15)
45-1	1	3001645-1	CARBON BRUSH FOR DC MOTOR (SIZE 6x8x15)
46	1	3001646	CAP FOR MOTOR
47	1	3001647	SCREW (WITH WASHER)
48	1	3001648	HANDLE ASSEMBLY WITH OIL PUMP
49	1	3001649	HANDLE ASSEMBLY
50	1	SB-5000	SPRING BALANCER FOR 3-5KGS
50-1	1	SB-7000	SPRING BALANCER FOR 5-7KGS
50-2	1	SB-9000	SPRING BALANCER FOR 6-9KGS



ITEM	PART NO.	DESCRIPTION
1	3001801	THREAD GUIDE FOR TWO THREADS
2	3001249	TENSION STUD.
3	3001803	TENSION DISC FOR TWO THREAD
4	3001247	TENSION SPRING
5	3001246	TENSION NUT--UPPER
6	3001245	TENSION WASHER LOCK
7	3001244	TENSION NUT--LOWER
8	3001243	SCREW
9	3001809	TENSION ASSY FOR TWO THREAD
10	3001810	THREAD ANGLE CLIP FOR TWO THREAD
11	3001243	SCREW
12	3001812	COVER PLATE FOR TWO THREAD
12-1	3001812-1	SCREW
13	3001211-1	SCREW
13-1	3001212-1	SCREW
14	3001814	KNIFE GUARD FOR TWO THREAD
15	3001466-1	SCREW
16	3001816	KNIFE ARM FOR TWO THREAD
17	3001484	KNIFE STATIONERY
18	3001484-1	SCREW
19	3001285	MOVING KNIFE
20	3001820	THREAD ROD SCREW FOR TWO THREAD
21	3001821	THREAD STAND
22	3001634	THREAD
23	3001469	LOOPER HOLDER
24	3001824	LOOPER FOR TWO THREAD
25	3001471	MAIN SHAFT BUSHING
26	3001452	MAIN SHAFT
27	3001475	FEED DOG CARRIER
27A	3001475A	CARRIER BLOCK ASSY
28	3001476	FELT WASHER
29	3001477	SLIDE
30	3001472	SCREW
31	3001473	WASHER
32	3001474	ANGLE CLIP
33	3001833	ROCKER KNIFE ARM FOR TWO THREAD
33-1	3001833-1	SCREW
34	3001488	SPRING
35	3001486	KNIFE SHAFT BUSHING
36	3001487	KNIFE SHAFT
37	3001837	NEEDLE PLATE FOR TWO THREAD
38	3001838	NEEDLE BAR GUARD FOR TWO THREAD
38-1	3001211-1	SCREW
39	3001480	SCREW
40	3001479	WASHER
41	3001478	FEED DOG
42	3001225	BUSHING--UPPER
43	3001224	PRESSER BAR
44	3001223	SPRING FOR PRESSER BAR
45	3001222	LIFTER
46	3001221	BUSHING--LOWER
47	3001847	PRESSER FOOT ASSY FOR TWO THREAD
48	3001848	THREAD CONE ROD FOR TWO THREAD